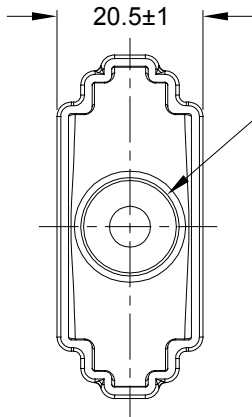
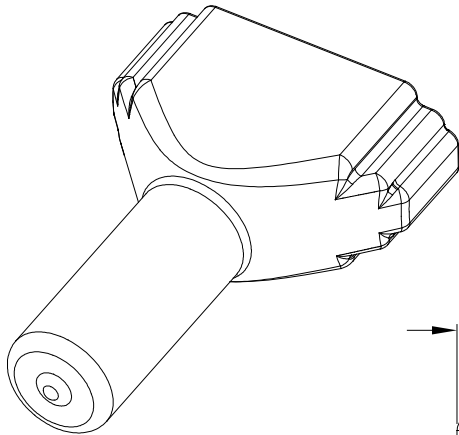
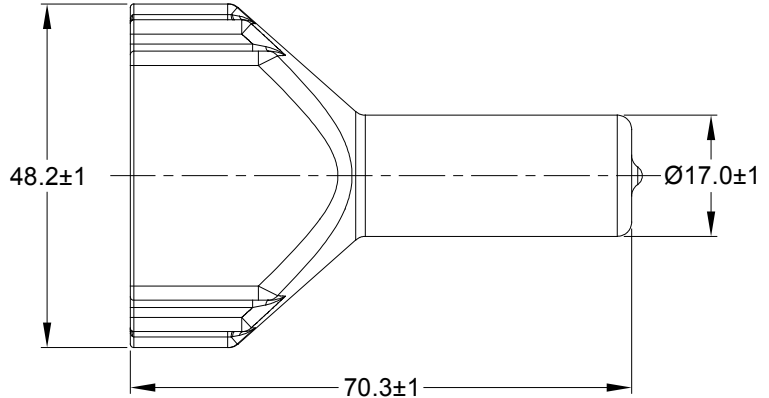


REVISIONS					
REV	ECO	DESCRIPTION	DATE	BY	APPR
A1	-	RELEASE NUMBER	28AUG19	BROOK	TOMMY



Ø13.8±1.0  
CABLE JACKET AREA



PART NUMBER CHART	
COLOR	PART NUMBER
GREY	AT12S-BT
BLACK	AT12S-BT-BK
YELLOW	AT12S-BT-YW

NOTES: UNLESS OTHERWISE SPECIFIED

- THIS PART IS USED ON AT06-12S PLUG WITH ANY MODIFICATION THAT DOES NOT INCLUDE AN END CAP.
- TEMPERATURE RATING : -29°C TO +100°C [-20°F TO +212°F]
- ALL DIMENSIONS ARE FOR REFERENCE USE ONLY.

SEE PART NUMBER CHART		REF: DT12S-BT , DT12S-BT-BK , DT12S-YW		
PART NUMBER		DESCRIPTION		
QUANTITY	MATERIALS LIST			ITEM
UNLESS OTHERWISE SPECIFIED		SIGNATURES		DATE
1) All dimensions are in metric(mm).		DRAWN: <b>BROOK.DING</b>	28AUG19	
2) Tolerances are as follows:		CHECKED: <b>ORION.LI</b>	28AUG19	
1 PL DEC ±0.30		ENGINEER:		
2 PL DEC ±0.15		APPROVAL: <b>TOMMY.XIE</b>	28AUG19	
3 PL DEC ±0.08		CUSTOMER:		
Fractions ±1/64		THIS DRAWING IS SUPPLIED FOR INFORMATION ONLY. DESIGN FEATURES, SPECIFICATIONS AND PERFORMANCE DATA SHOWN HEREON ARE THE PROPERTY OF THE AMPHENOL CORPORATION. NO RIGHTS OF REPRODUCTION ARE IMPLIED. ALL DIMENSIONS ARE SUBJECT TO NORMAL MANUFACTURING VARIATIONS.		
Angles ±1°		SIZE: <b>A C-</b>		
3) Note reference =		DWG NO: <b>AT12S-BT-XX</b>		
MATERIAL SPECIFICATIONS:		REVISION: <b>A1</b>		
<b>PVC</b>		SCALE: <b>NONE</b>		
PROCESS SPECIFICATIONS:		SHEET <b>1</b> OF <b>1</b>		
NEXT ASSY:				

# Amphenol

Sine Systems - [www.amphenol-sine.com](http://www.amphenol-sine.com)  
44724 Morley Drive  
Clinton Township, MI 48036

BOOT ,AT ,12 WAY,PLUG