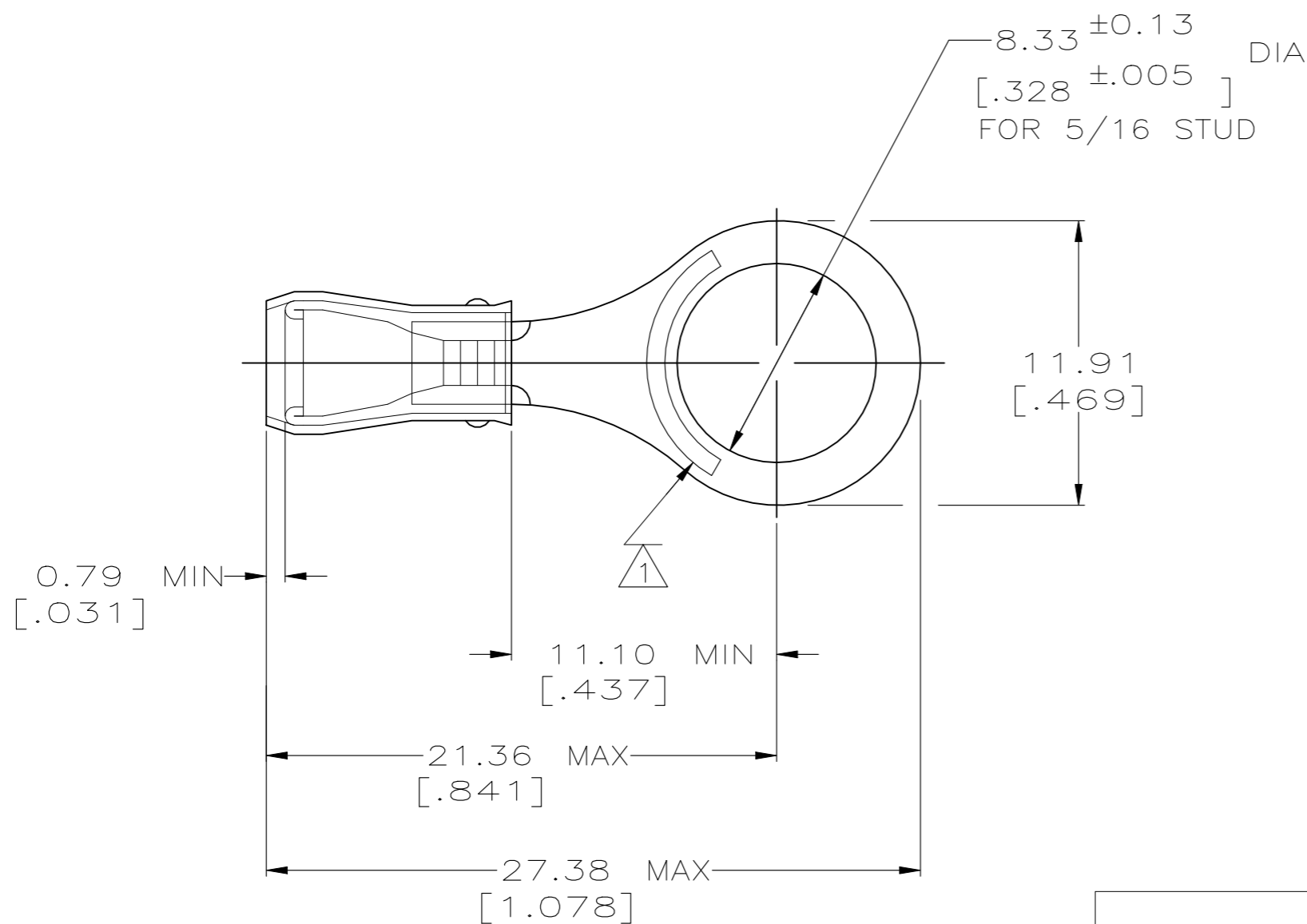


REVISIONS					
P	LTR	DESCRIPTION	DATE	DWN	APVD
	M3	REVISED PER ECN-22-156403	06JUN2022	RK	CSD

AMP WIRE RANGE	Listed	LR7189 Certified
22-16 AWG SOLID OR STRANDED	22-16 AWG SOLID OR STRANDED	22-16 AWG SOLID OR STRANDED



- 1 STAMP AMP 22-18* APPROX AS SHOWN
22-16 TERMINALS ARE STAMPED 22-18 IN
ACCORDANCE WITH MILITARY SPEC MIL-T-7928
COMMERCIAL WIRE RANGE IS 22-16
- 2 WIRE INSULATION DIA: .105 - .140
- 3 TONGUE MATERIAL THK: 0.79 ±0.05 [.031 ±.002]

MILITARY P/N AND CLASS	QUANTITY	PACKAGE TYPE	PART NO
-	100	LOOSE PIECE, BOX	8-31895-1
-	5000	ON TAPE, REEL	2-31895-1
MS 25036-104 CLASS 1	-	LOOSE PIECE	31895

**AMP INCORPORATED
CUSTOMER SERVICE SYSTEMS**

FOR ADDITIONAL
PRODUCT INFORMATION OR
COPIES OF DRAWINGS
AND TECHNICAL DOCUMENTS

PRODUCT INFORMATION CENTER
1-800-522-6752

FOR APPLICATION
TOOLING INFORMATION

TOOLING ASSISTANCE CENTER
1-800-722-1111

FOR ORDER ENTRY

1-800-526-5142

MAX RECOMMENDED OPERATING
TEMPERATURE:
105°C MAX

VOLTAGE RATING:
300 V MAX

WIRE CROSS SECTIONAL AREA RANGE:
0.26-1.65mm² [509-3,260] CIR MILS
SOLID OR STRANDED

THIS DRAWING IS A CONTROLLED DOCUMENT FOR
AMP INCORPORATED. IT IS SUBJECT TO CHANGE
AND THE CONTROLLING ENGINEERING ORGANIZATION
SHOULD BE CONTACTED FOR THE LATEST REVISION.

THIS DRAWING IS A CONTROLLED DOCUMENT.

DIMENSIONS:
mm[INCHES]

TOLERANCES UNLESS
OTHERWISE SPECIFIED:

0 PLC ± -
1 PLC ± -
2 PLC ± 0.20[.008]
3 PLC ± -
4 PLC ± -
ANGLES ± -

MATERIAL
COPPER PER ASTM B-152
SLEEVE, RED NYLON

FINISH
TIN PLATE
PER MIL-T-10727

DWN DK SCHRUM 02/11/93
CHK RE HERSEY 4/28/93
APVD ML ELLIS 4/28/93
PRODUCT SPEC
UL 486A
APPLICATION SPEC
NOT AVAILABLE
WEIGHT -

TE TE Connectivity

NAME
TERMINAL, RING TONGUE,
PIDG™, WIRE SIZE: 22-16 AWG

SIZE A3 CAGE CODE 00779 DRAWING NO C-31895 RESTRICTED TO -

CUSTOMER DRAWING SCALE 4:1 SHEET 1 OF 1 REV M3