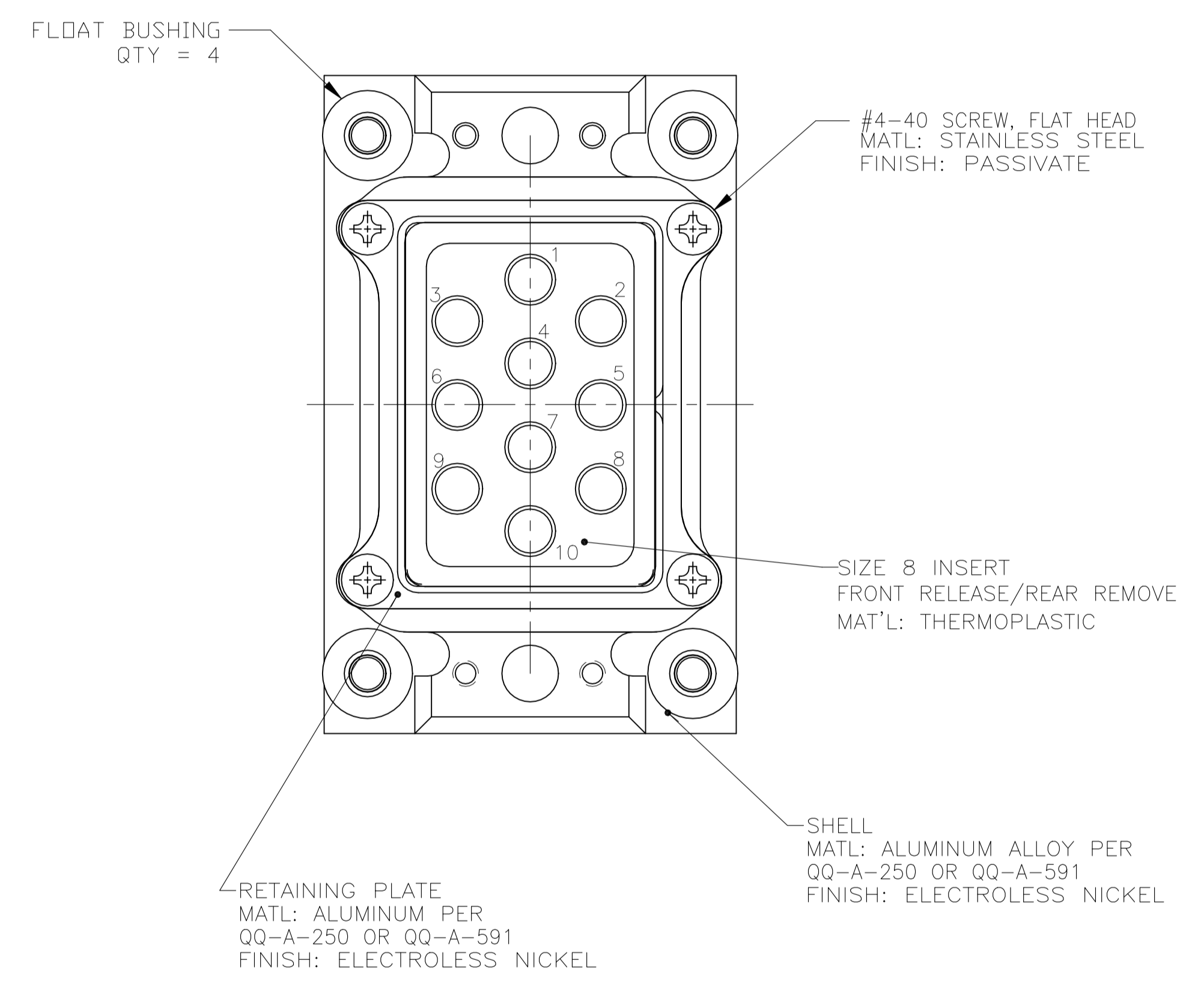
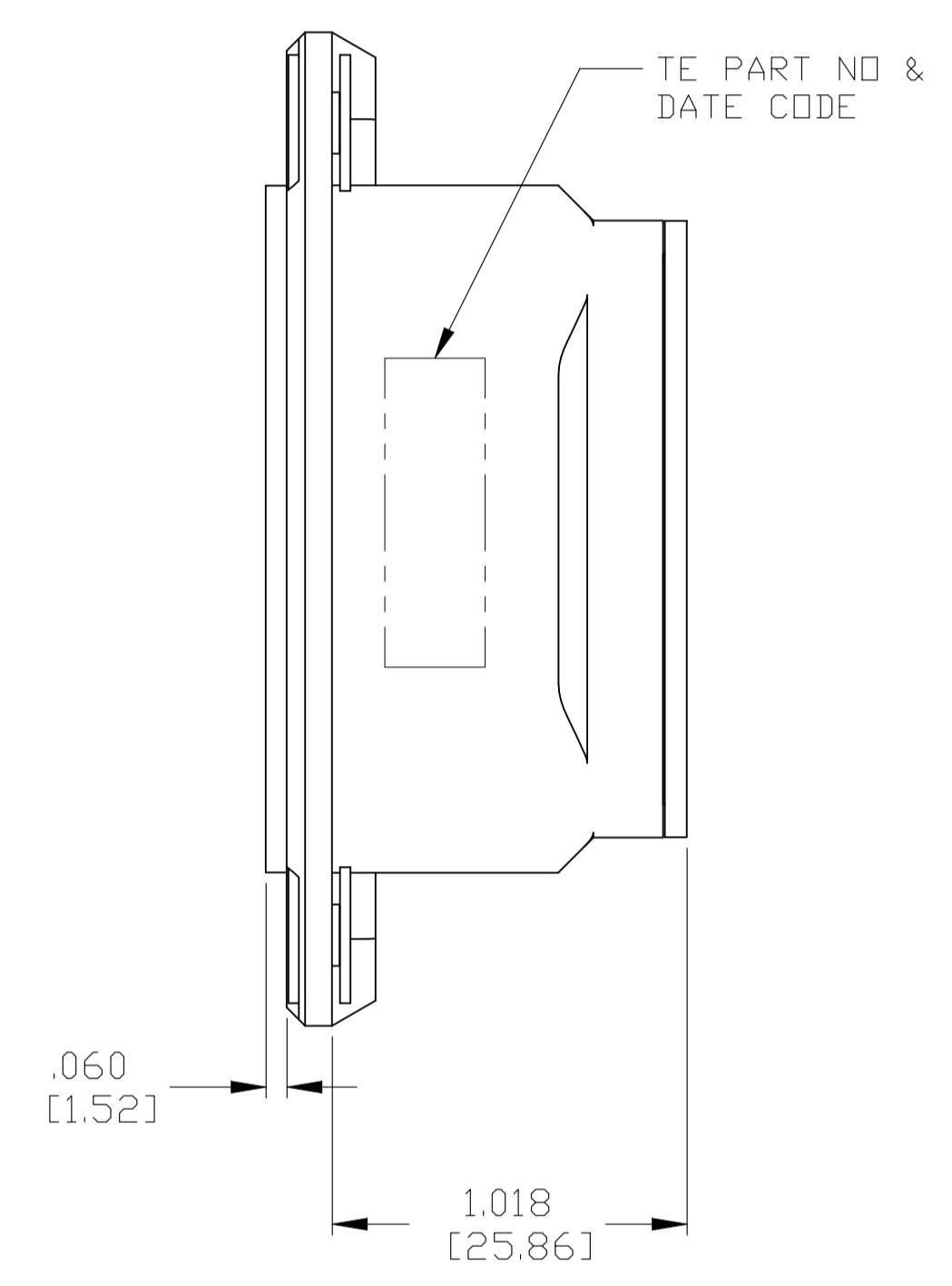
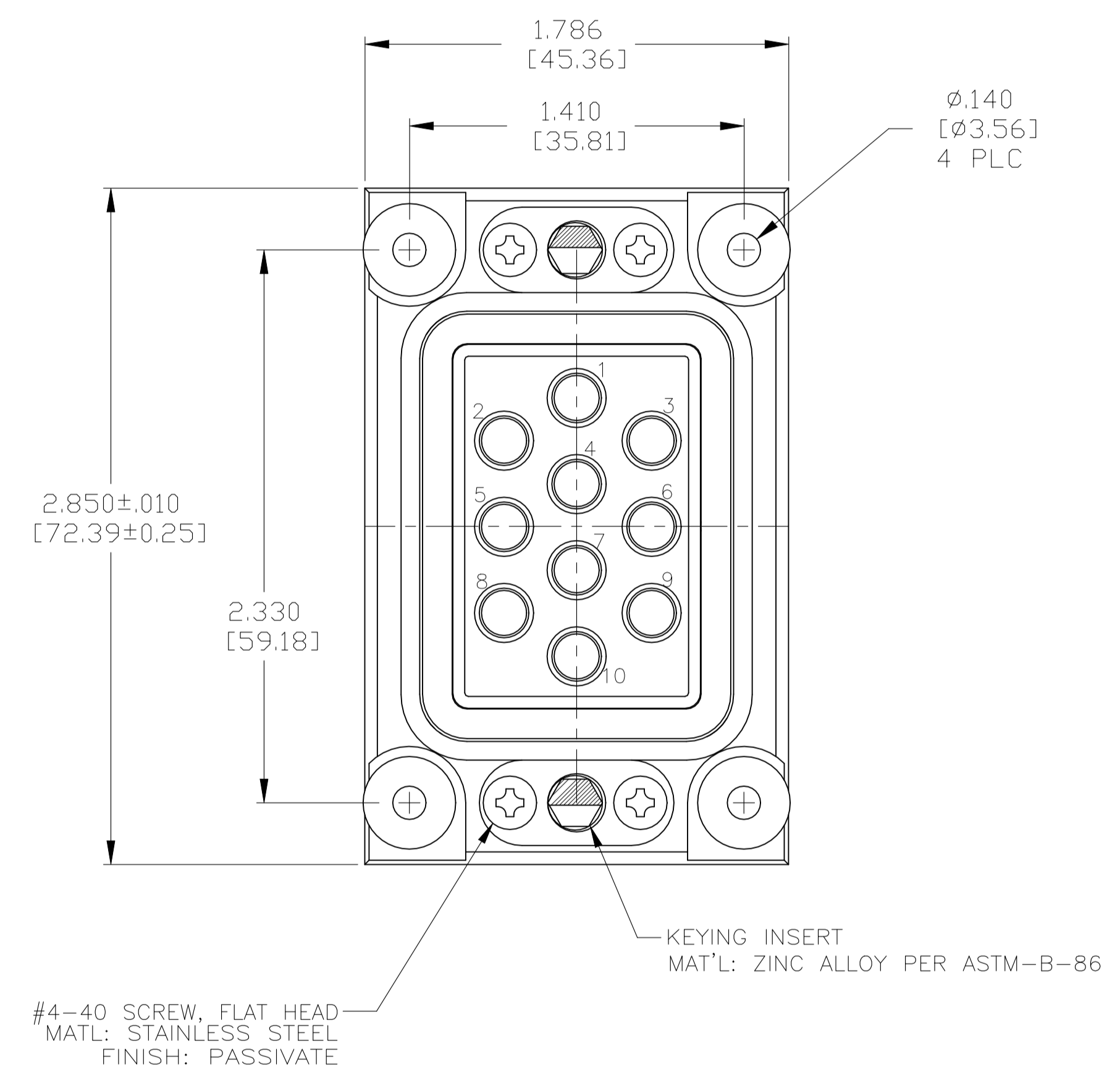


| REVISIONS | | | | |
|-----------|-----|-----------------------|--------|-------|
| P | LTR | DESCRIPTION | DATE | BY |
| E | | REV PER ECO 21-006547 | 6-9-21 | CT DC |



- KEYING INSTALLED IN POSITION PER TABLE.
- DUST COVER INSTALLED, NOT SHOWN FOR CLARITY.
- SIZE 8 CONTACTS ARE NOT INCLUDED, MUST BE ORDERED SEPARATELY, CONTACTS ARE SNAP IN AND REMOVABLE.

| | |
|-----------------|-----------|
| "22" | 2157915-2 |
| "04" | 2157915-1 |
| KEYING POSITION | PART NO. |

| | | | | |
|--|--|----------------------------|--|--|
| THIS DRAWING IS A CONTROLLED DOCUMENT. | | DIN C.C.THOMAS 4-10-12 | TE Connectivity | |
| DIMENSIONS: INCHES | | CHK W.BERNHART 4-10-12 | NAME | |
| TOLERANCES UNLESS OTHERWISE SPECIFIED: | | APVD W.BERNHART 4-10-12 | SINGLE MOD.RECEPTACLE CONNECTOR ASSEMBLY,ARINC 600 | |
| 0 PLC ± - | | PRODUCT SPEC | - | |
| 1 PLC ± - | | APPLICATION SPEC | - | |
| 2 PLC ± - | | WEIGHT | 0.000000 | |
| 3 PLC ± .005 [0.13] | | SCALE | 2:1 | |
| 4 PLC ± - | | SIZE | A1 | |
| ANGLES ± - | | CAGE CODE | 00779 | |
| FINISH SEE CALLOUTS | | DRAWING NO | 2157915 | |
| MATERIAL SEE CALLOUTS | | RESTRICTED TO | - | |
| CUSTOMER DRAWING | | SHEET | 1 of 1 | |