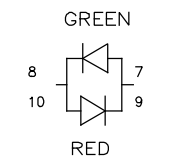
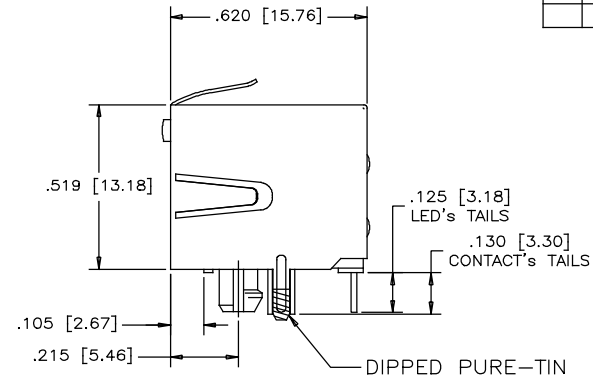
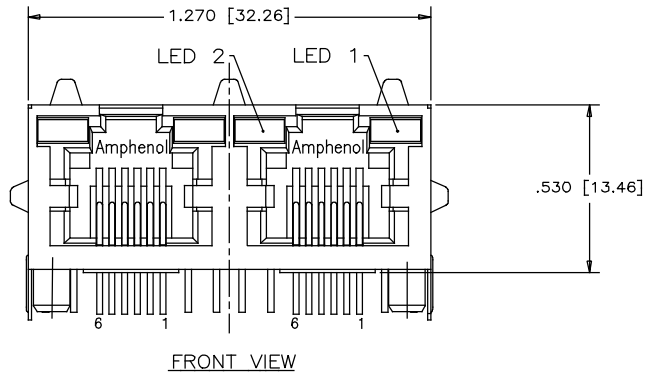
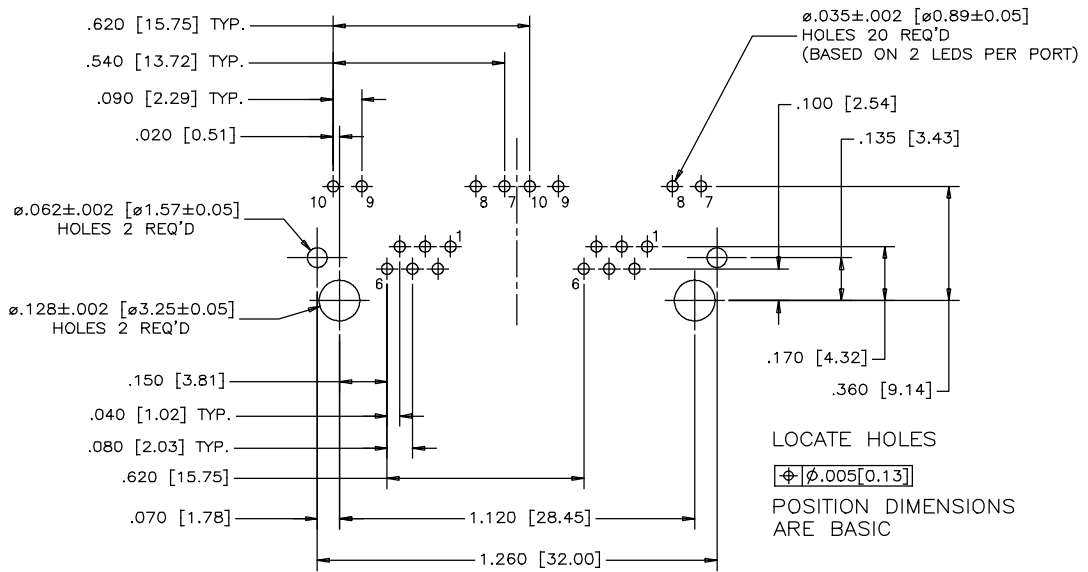


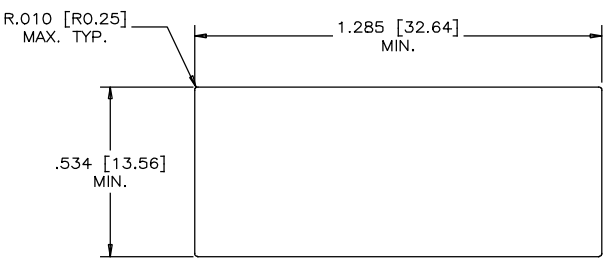
REVISIONS			
REV	DESCRIPTION, ECN, EAR NO.	DATE	APP'D
A	PROPOSAL	TBD	L.CHAN



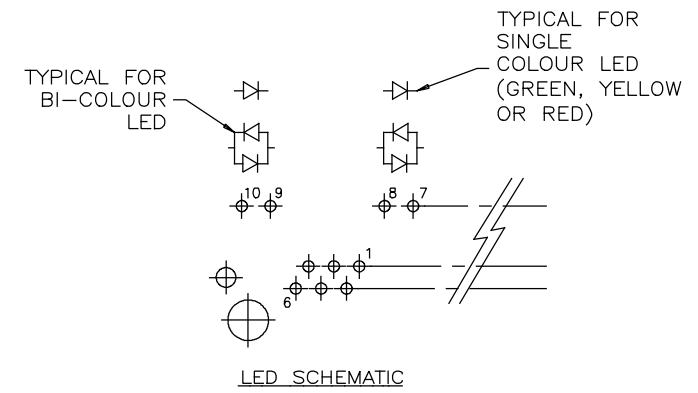
BI-COLOUR LED DETAIL
 (YELLOW/GREEN, RED/YELLOW AND GREEN/ORANGE LED'S ARE ALSO AVAILABLE)



RECOMMENDED P.C.B. LAYOUT
 (COMPONENT SIDE OF BOARD)



RECOMMENDED PANEL CUTOUT



MATERIALS:
 PLASTIC HOUSING: ENGINEERING THERMOPLASTIC
 FLAMMABILITY RATING UL 94V-0
 COLOR: BLACK

CONTACTS:
 PHOSPHOR BRONZE
 PLATING: 50 μ" [1.27 MICRONS] MIN. GOLD ON MATING SURFACES.
 50 μ" [1.27 MICRONS] MIN. NICKEL UNDERPLATE
 100 μ" [2.54 MICRONS] MIN. MATTE-TIN ON CONTACT TAILS.

SHIELD: COPPER ALLOY PLATING NICKEL WITH DIPPED PURE TIN ON PCB TAIL.

PART NUMBER: RJHSE-736X-A2X

REFER TO LED OPTIONS DRAWING FOR ORDERING CODES

THIS DOCUMENT CONTAINS PROPRIETARY INFORMATION AND SUCH INFORMATION MAY NOT BE DISCLOSED TO OTHERS FOR ANY PURPOSE OR USED FOR MANUFACTURING PURPOSES WITHOUT WRITTEN PERMISSION FROM AMPHENOL CANADA CORP.

UNLESS SPECIFIED OTHERWISE	DRAWN	CHANG WEI	MAY 31/16
CHECKED	L.CHAN	TBD	
PRIMARY UNITS INCH	M.E. APP'D		
SECONDARY UNITS MILLIMETER	Q.A. APP'D		
REFERENCE IN PARENTHESES	DWG APP'D		
1 DECIMAL PLACE ±0.025	ENG. REL. NO.		
2 DECIMAL PLACE ±0.020	REF.		
3 DECIMAL PLACE ±0.015			
ANGULAR DEGREES ±1°	THIRD ANGLE PROJECTION		
	DO NOT SCALE DRAWING		

Amphenol Canada Corp.		REV
www.amphenolcanada.com		A
2 PORT, HIGH SPEED, MODULAR JACK. 6 POSITION, 6 CONTACTS, SHIELD, .130" CONTACT LENGTH, WITH LED'S, - RoHS COMPLIANT		
DWG NO.	P-RJHSE-736X-A2X	
CODE ID NO. 03554	DWG SIZE: C	SHEET 1 OF 1