

ENVELOPE / ASSEMBLY DRAWING

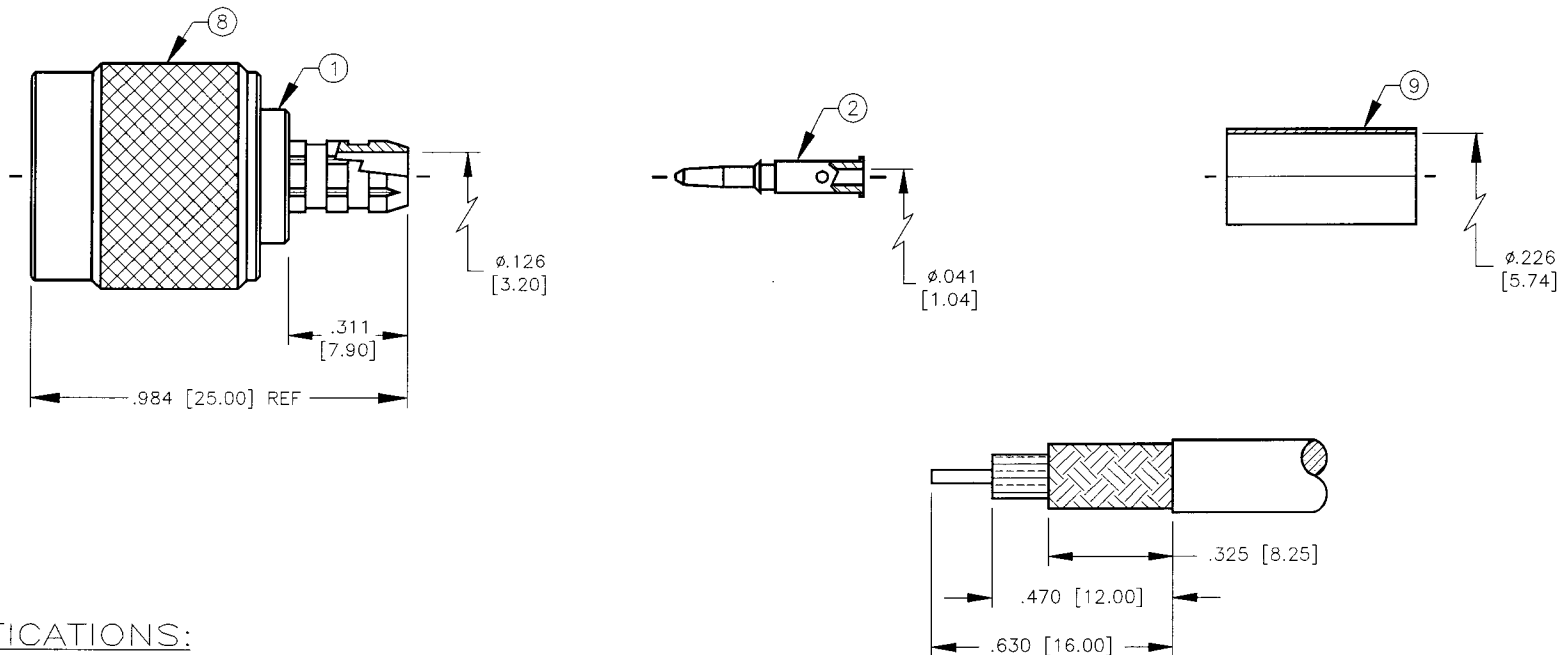
008974

SPECIFICATION CONTROL DRAWING

THIS DRAWING CONTAINS INFORMATION PROPRIETARY TO RF INDUSTRIES, LTD. ANY UNAUTHORIZED USE OF THIS DRAWING IS EXPRESSLY PROHIBITED. ANY VIOLATION IS PUNISHABLE UNDER U.S. COPYRIGHT LAWS.

REV	DESCRIPTION	DWN	DATE	APPROVED
A	ENGINEERING RELEASE	CZS	5/18/99	R. RICE

ALL DIMENSIONS ARE REFERENCE ONLY



SPECIFICATIONS:

IMPEDANCE: 50 OHMS
 WORKING VOLTAGE: 500 VRMS @ SEA LEVEL
 FREQUENCY RANGE: 0-7 GHz
 INSERTION LOSS: ≤ -2 dB @ 3 GHz
 VSWR MAX: 1.3:1 @ 3 GHz
 FOR RG-55, 55A, 55B, 142, 142A, 142B & 223/U,
 ALPHA 9055, 9055B, 9223, BELDEN 8219, 83242, 84142, 9907
 INTERFACE PER MIL-STD-348A, SECTION 313.1

SUGGESTED STRIPPING INSTRUCTIONS

SUGGESTED CRIMP DIES: .068 & .213

DIMENSIONS ARE IN INCHES AND [MILLIMETERS]

UNLESS OTHERWISE NOTED TOLERANCES ARE:
DECIMALS DIAMETER

DRAWN	C. ZUNIGA	5/18/99
CHECKED	<i>[Signature]</i>	5/18/99
ORO DRAWN	C. ZUNIGA	5/18/99

RFconnectors
DIVISION OF RF INDUSTRIES, LTD.

7610 MIRAMAR RD
SAN DIEGO, CA 92126
(619)549-6340
(619)549-6345 FAX

RFT-1202-C1

TNC MALE CRIMP PLUG

ITEM	DESCRIPTION	QTY	MATERIAL	FINISH
9	FERRULE	1	BRASS	NICKEL
8	SHELL	1	BRASS	NICKEL
7	RETAINING RING	1	BRASS	NONE
6	GASKET	1	S.I. RUBBER	RED
5	WASHER	1	BRASS	NONE
4	RING	1	DELTRIN	NONE
3	DIELECTRIC	1	DELTRIN	NONE
2	PIN	1	BRASS	GOLD
1	BODY	1	BRASS	NICKEL

APPROVALS	DATE
-----------	------

SIZE	CABLE GROUP	DWG NO.	REV
A	C1	9171	A
SCALE: 2:1	CAD FILE 13ARC B	SHEET 1 OF 1	