

MATERIALS AND FINISHES

BODY, PIN, JAM NUT: BRASS  
PLATED: NICKEL

POST: BRASS  
PLATED: BRIGHT TIN

CENTER CONTACT: BeCu  
PLATED: GOLD

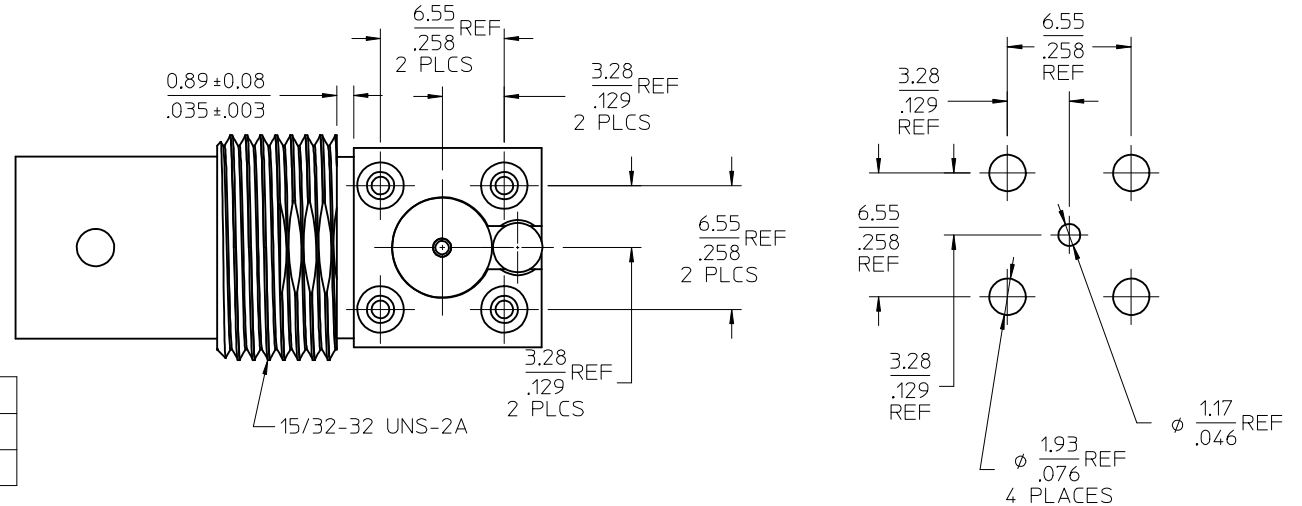
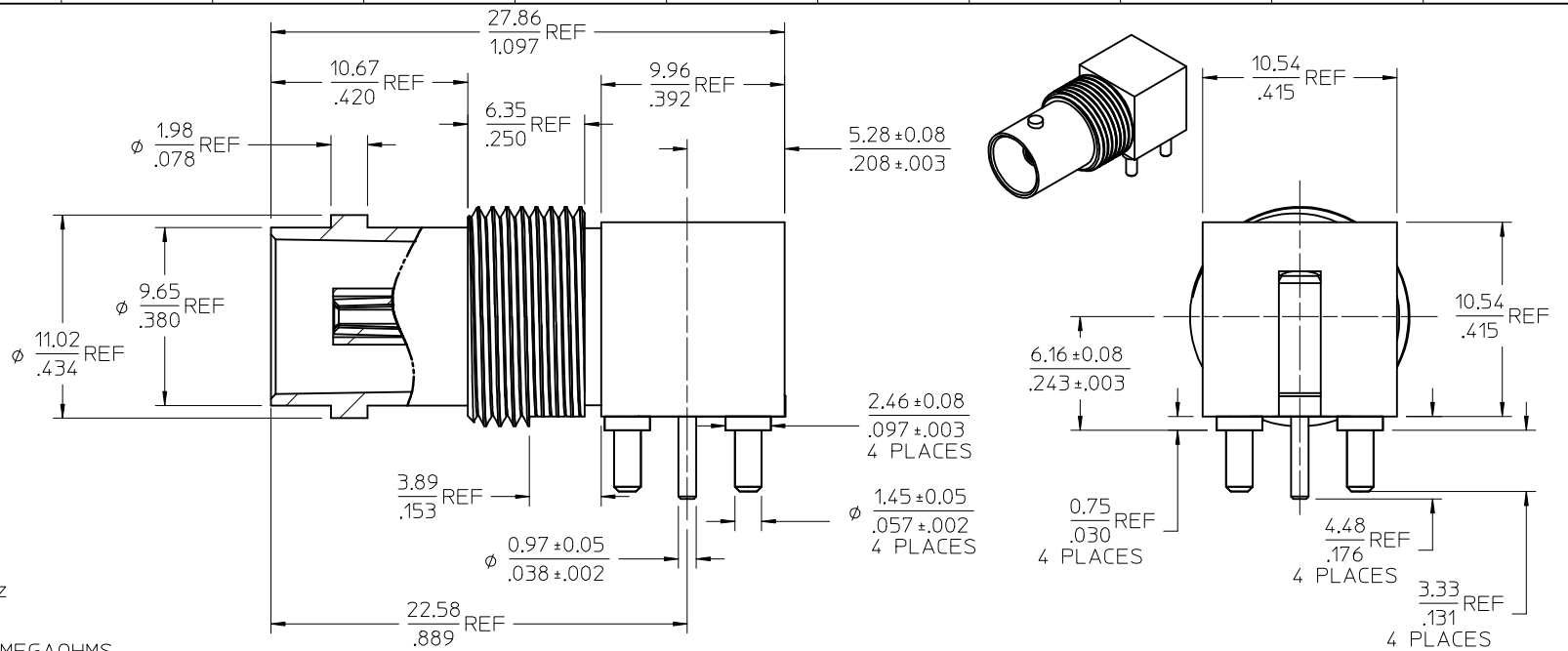
LOCK WASHER: STEEL  
PLATED: NICKEL

INSULATOR: TEFLON

ELECTRIC PERFORMANCE

FREQUENCY RANGE: DC - 2 GHz  
VOLTAGE RATING: 500 VRMS  
INSULATION RESISTANCE: 5000 MEGAOHMS  
CONTACT RESISTANCE:

OUTER: 0.2 MILLIOHMS MAX  
CENTER: 1.5 MILLIOHMS MAX

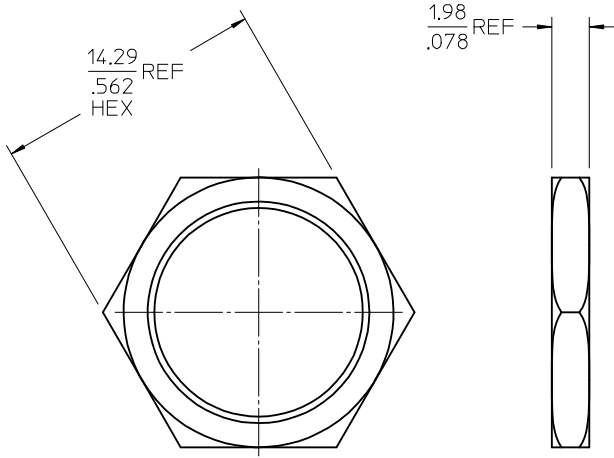


RECOMMENDED PCB LAYOUT

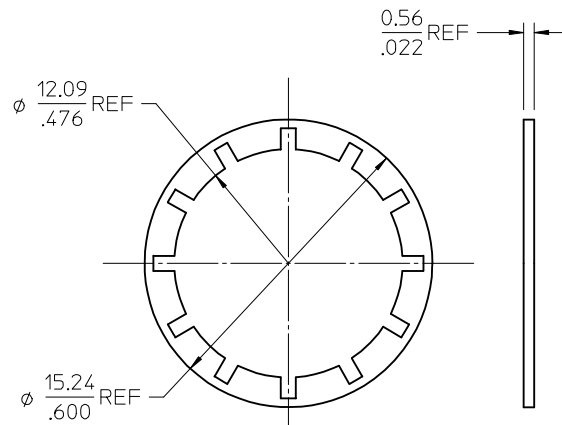
73171-1981	HARDWARE INCLUDED
73171-1980	CONNECTOR ONLY
PART NUMBER	DESCRIPTION

PS-89675-2020	PRODUCT SPECIFICATION
SPECIFICATION	DESCRIPTION

CHG: ADDED -1981 WITH JAM NUT AND LOCK WASHER EC NO: URF2009-0061 DRWN: LEE02 2008/08/06 CHKD: SSS 2008/08/06 APPR: JWIENER 2008/08/06 A3	QUALITY SYMBOLS ▽=0 ▽=0	GENERAL TOLERANCES (UNLESS SPECIFIED) 4 PLACES ± --- ± --- 3 PLACES ± --- ± --- 2 PLACES ± --- ± --- 1 PLACE ± --- ± --- ANGULAR ± 2 °	DIMENSION STYLE MM/IN DRAWN BY DATE SSS 2003/05/21 CHECKED BY DATE TEF 2003/05/21 APPROVED BY DATE GMH 2003/05/20	SCALE DESIGN UNITS METRIC THIRD ANGLE PROJECTION	TITLE BNC JACK BULKHEAD, R/A PCB 75 OHMS, EWR2022 BNC-J/RA/BK/PCB	MATERIAL NO. SEE TABLE	DOCUMENT NO. SD-73171-198	SHEET NO. 1 OF 2
		DRAFT WHERE APPLICABLE MUST REMAIN WITHIN DIMENSIONS		MOLEX INCORPORATED		THIS DRAWING CONTAINS INFORMATION THAT IS PROPRIETARY TO MOLEX INCORPORATED AND SHOULD NOT BE USED WITHOUT WRITTEN PERMISSION		



JAM NUT



LOCK WASHER

CHG: SEE SHEET 1	QUALITY SYMBOLS
EC NO: URF2009-0061	▼=0
DRWN:JLEE02 2008/08/06	▽=0
CHKD:SSS 2008/08/06	
APPR:JWIENER 2008/08/06	
REV	DESCRIPTION
A3	

GENERAL TOLERANCES (UNLESS SPECIFIED)	
	mm INCH
4 PLACES	± .005 ± .0005
3 PLACES	± .005 ± .0005
2 PLACES	± .005 ± .0005
1 PLACE	± .005 ± .0005
ANGULAR ± 2 °	
DRAFT WHERE APPLICABLE MUST REMAIN WITHIN DIMENSIONS	

DIMENSION STYLE	
MM/IN	
DRAWN BY	DATE
SSS	2003/05/21
CHECKED BY	DATE
TEF	2003/05/21
APPROVED BY	DATE
GMH	2003/05/20
MATERIAL NO.	
SEE SHEET 1	

SCALE	DESIGN UNITS	THIRD ANGLE PROJECTION
	METRIC	
TITLE		
BNC JACK BULKHEAD, R/A PCB 75 OHMS, EWR2022 BNC-J/RA/BK/PCB		
MOLEX INCORPORATED		SHEET NO.
DOCUMENT NO.		2 OF 2
THIS DRAWING CONTAINS INFORMATION THAT IS PROPRIETARY TO MOLEX INCORPORATED AND SHOULD NOT BE USED WITHOUT WRITTEN PERMISSION		