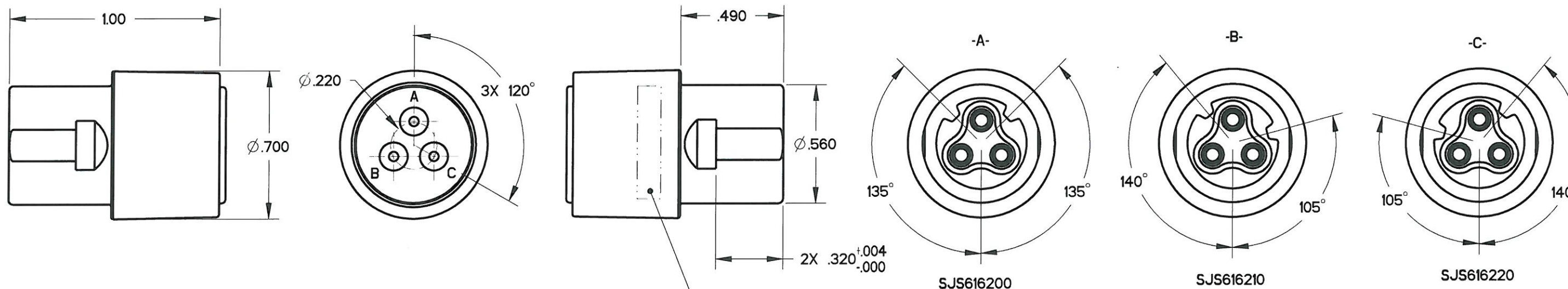
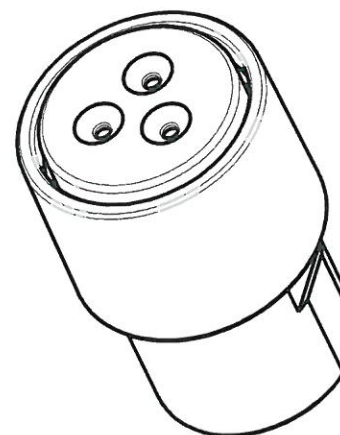


REV	ECN	APP'D
-	5663	J. TON
A	5706	J. TON
B	5796	J. TON
C	5951	JT 9/26/06
D	6589	<i>JT 12/14/10</i>

- NOTES:
- MATERIALS:  
 HOUSING: PA 6/6  
 CONTACT RETAINER: STAINLESS STEEL  
 GROMMET: SILICONE RUBBER PER A-A-59588  
 SEAL: SILICONE RUBBER PER A-A-59588
  - OPERATING RANGE:  
 TEMPERATURE: -55 °C TO 95 °C  
 INSULATION RESISTANCE: 5000 MEGOHMS MINIMUM  
 DIELECTRIC WITHSTANDING VOLTAGE: 1500 VRMS SEA LEVEL  
 600 VRMS @ 45,000 FT. ALTITUDE  
  
 CURRENT RATING: 13 AMPS  
 VIBRATION: PER EIA-364D METHOD 28, TEST CONDITION V.
  - ACCEPTS (3) M39029/58-364 PIN CONTACTS (NOT INCLUDED)
  - CONTACT RETENTION - 20 LBS EACH



PART MARKING AS FOLLOWS:

BACC63DF0316PX APCD  
 YYWW SJS6162XX

DATE CODE SEE TABLE 1 FOR FULL PART NUMBERS

KEY CONFIGURATION SEE TABLE 1

APCD PART#	BACC PART#	KEY	COLOR
SJS616200	BACC63DF0316PA	A	RED
SJS616210	BACC63DF0316PB	B	WHITE
SJS616220	BACC63DF0316PC	C	BLUE

DIMENSIONS ANSI Y14.5M UNITS: INCHES Pro/E FILE	TOLERANCES .XX ±0.01 .XXX ±0.005 ANGLES ±10°	PROJECTION 	<b>Amphenol Pcd</b> SPECIFICATION DRAWING			TITLE IN-LINE JUNCTION TRIPLE WIRE, SIZE 16 RECEPTACLE		
			ENGR S. STONE 10/19/05			SIZE <b>B</b>	DWG NO. <b>SJS616200</b>	
ORIGINAL 	THIS DOCUMENT CONTAINS PROPRIETARY INFORMATION WHICH IS THE CONFIDENTIAL PROPERTY OF AMPHENOL PCD INC., BEVERLY, MA			CHKD  10/12/10		CODE: 58982    SCALE: 2:1    SHEET 1 OF 1		
				APPD  10/12/10				

SJS616200

SJS616200