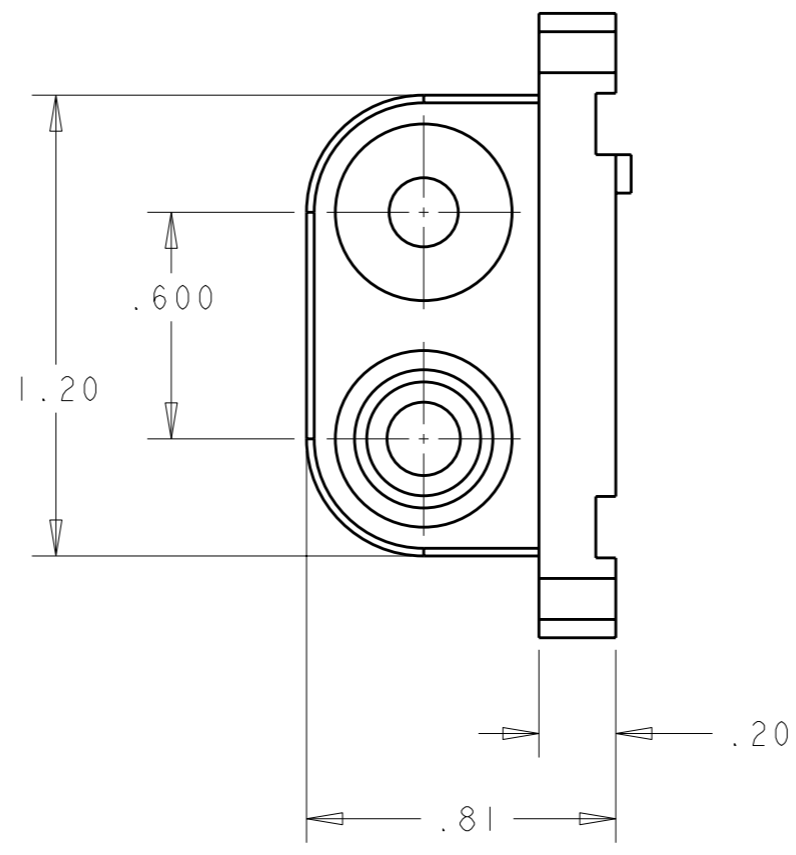
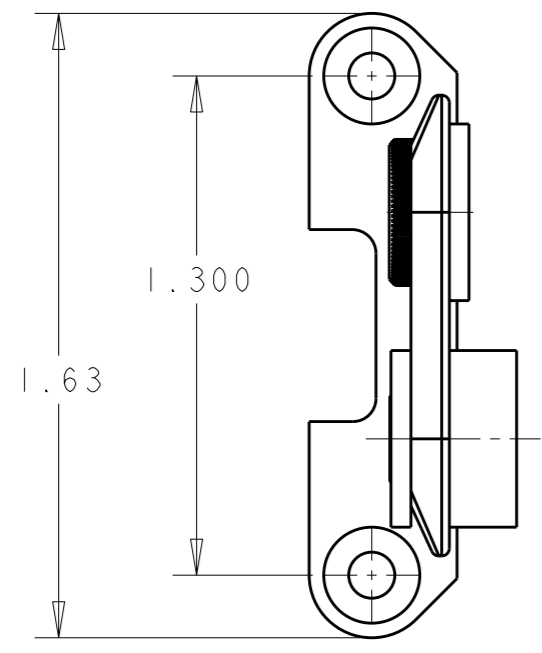


THIS DRAWING IS UNPUBLISHED. RELEASED FOR PUBLICATION 20
 © COPYRIGHT 20 BY TYCO ELECTRONICS CORPORATION. ALL RIGHTS RESERVED.

LOC		DIST		REVISIONS			
P	LTR	DESCRIPTION		DATE	DWN	APVD	
-	-	A	NEW RELEASE	14DEC2007	RG	DO	



- PART NUMBER CHANGES AND/OR DESIGN CHANGES AFFECTING ITEM INTERCHANGEABILITY REQUIRE PRIOR TYCO ELECTRONICS APPROVAL AND AUTHORIZATION BY REVISION TO THIS DRAWING.
- ITEMS PROVIDED TO THIS SPECIFICATION TO BE PERMANENTLY IDENTIFIED ON THE CONTAINER PER THE FOLLOWING IDENTIFIER:

YEAR 1 WEEK 1

TYCO ELECTRONICS P/N
 XXXXXXXX-X

DATE CODE (e.g. 0212)
 XXXX

AS SHOWN	6648263-1
DESCRIPTION	PART NO.

<small>THIS DRAWING IS A CONTROLLED DOCUMENT FOR TYCO ELECTRONICS CORPORATION IT IS SUBJECT TO CHANGE AND THE CONTROLLING ENGINEERING ORGANIZATION SHOULD BE CONTACTED FOR THE LATEST REVISION.</small>		DWN 14DEC2007 R. GRZYBOWSKI		Tyco Electronics Harrisburg, PA 17105-3608	
DIMENSIONS: INCHES		TOLERANCES UNLESS OTHERWISE SPECIFIED:		NAME END CAP, FLOAT MOUNT BUSING GUIDE DOMINO	
		0 PLC ±- 1 PLC ±- 2 PLC ±.01 3 PLC ±.005 4 PLC ±- ANGLES ±-		APVD 14DEC2007 S. FLICKINGER	
MATERIAL -		FINISH -		PRODUCT SPEC -	
ELCON DOMINO		WEIGHT -		APPLICATION SPEC -	
CUSTOMER DRAWING		SCALE 2:1		SIZE A3 CAGE CODE 00779 DRAWING NO C-6648263 RESTRICTED TO -	
AMP 1470-19 REV 31MAR2000		SHEET 1 OF 1		REV A	