

E11509



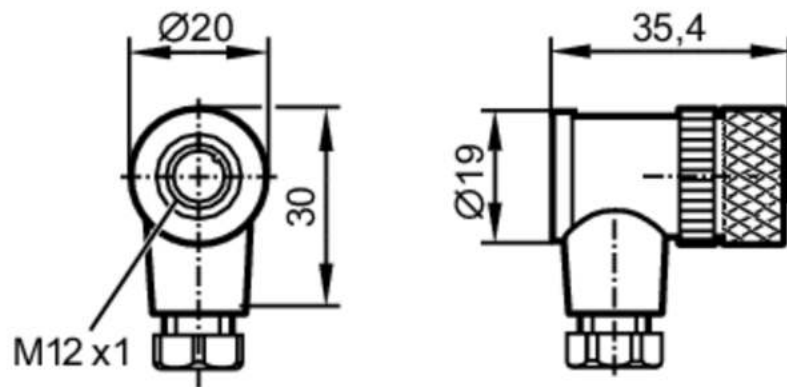
Wirable socket

SDOAH040MSSFKPG

phase-out article

Alternative articles: EVC811

When selecting an alternative article and accessories please note that technical data may differ!



Application

| | |
|--------------------|--|
| Special feature | Free from silicone; Gold-plated contacts |
| Free from silicone | yes |

Electrical data

| | | |
|-------------------------|-----|-------------------|
| Operating voltage | [V] | < 45 AC / < 70 DC |
| Max. current load total | [A] | 4; (...40 °C) |

Operating conditions

| | | |
|---------------------|------|----------|
| Ambient temperature | [°C] | -25...85 |
| Protection | | IP 68 |

Mechanical data

| | | |
|-----------------------|-----|----------------------|
| Weight | [g] | 28.3 |
| Materials | | PA |
| Moulded-body material | | PA |
| Material nut | | brass, nickel-plated |

Remarks

| | | |
|---------------|--|--------|
| Pack quantity | | 1 pcs. |
|---------------|--|--------|

E11509



Wirable socket

SDOAH040MSSFKPG

Electrical connection

screw terminals: ...0.75 mm²; Cable sheath: Ø 4...6 mm

Electrical connection - socket

Connector: 1 x M12, angled; coding: A; Moulded body: PA; Locking: brass, nickel-plated; Contacts: gold-plated



Connection

