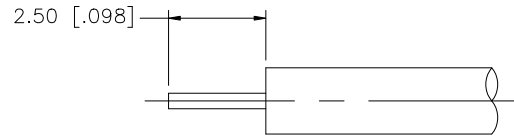
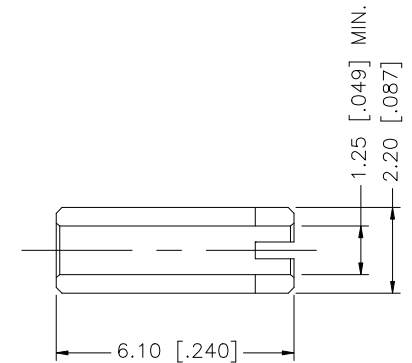
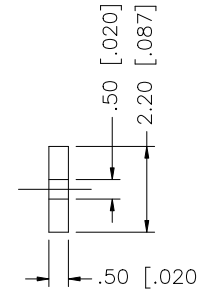
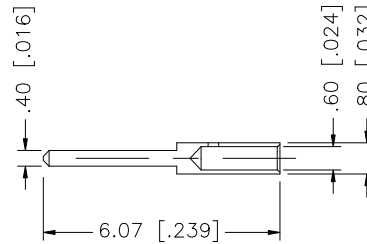
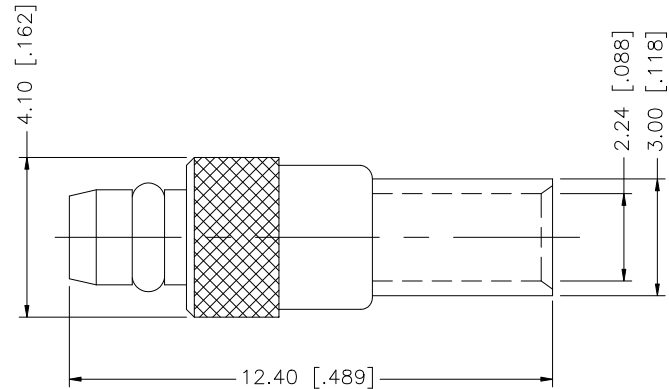


REV.	DATE	DESCRIPTION
NC	05/25/00	INITIAL RELEASE
A	12/11/07	UPDATE DRAWING FORMAT



RECOMMENDED CABLE
STRIPPING DIM'S.



DESCRIPTION	MATERIAL	FINISH	QTY	DO NOT SCALE DRAWING	CAD FILE	APPROVALS	DATE	PART DESCRIPTION			
								<h1 style="text-align: center; color: blue;">Amphenol Connex</h1> <p style="text-align: center;">MMCX STRAIGHT DIRECT SOLDER PLUG (FOR .047" SEMI-RIGID CABLE)</p>			
8						DRAWN	G.R.S.				12/11/07
7						CHECKED					
6	FERRULE	COPPER	GOLD	1		ISSUED					
5	RETAINER RING	BER. COPPER	GOLD	1		SHEET	1 OF 1				
4	BARREL	BRASS	GOLD	1					PART NO.	262127	
3	CONTACT PIN	BRASS	GOLD	1					DWG. NO.	262127.DWG	
2	INSULATOR	TEFLON	NATURAL	1					REV.	A	
1	BODY	BRASS	GOLD	1					SIZE	A	
									SCALE	NA	

UNLESS OTHERWISE SPECIFIED DIMENSIONS ARE IN MILLIMETERS. DIMENSIONS IN [] ARE IN INCHES AND FOR CUSTOMER REFERENCE ONLY.

UNLESS OTHERWISE SPECIFIED TOLERANCES FOR MILLIMETERS ARE:
0.5 - 8mm ± 0.20mm
8 - 30mm ± 0.40mm
30 - 120mm ± 0.50mm

UNLESS OTHERWISE SPECIFIED TOLERANCES FOR INCHES ARE:
.020 - .315 = ± 0.007"
.315 - 1.180 = ± 0.015"
1.180 - 4.724 = ± 0.020"

APPROVALS

DATE

DRAWN G.R.S.

12/11/07

CHECKED

ISSUED

SHEET 1 OF 1

CAD FILE

C:/262/262127.DWG

Amphenol Connex

PART DESCRIPTION

MMCX STRAIGHT DIRECT SOLDER PLUG
(FOR .047" SEMI-RIGID CABLE)

PART NO.

262127

DWG. NO.

262127.DWG

REV. A

SIZE A

SCALE NA