

NEWNEX PROPRIETARY

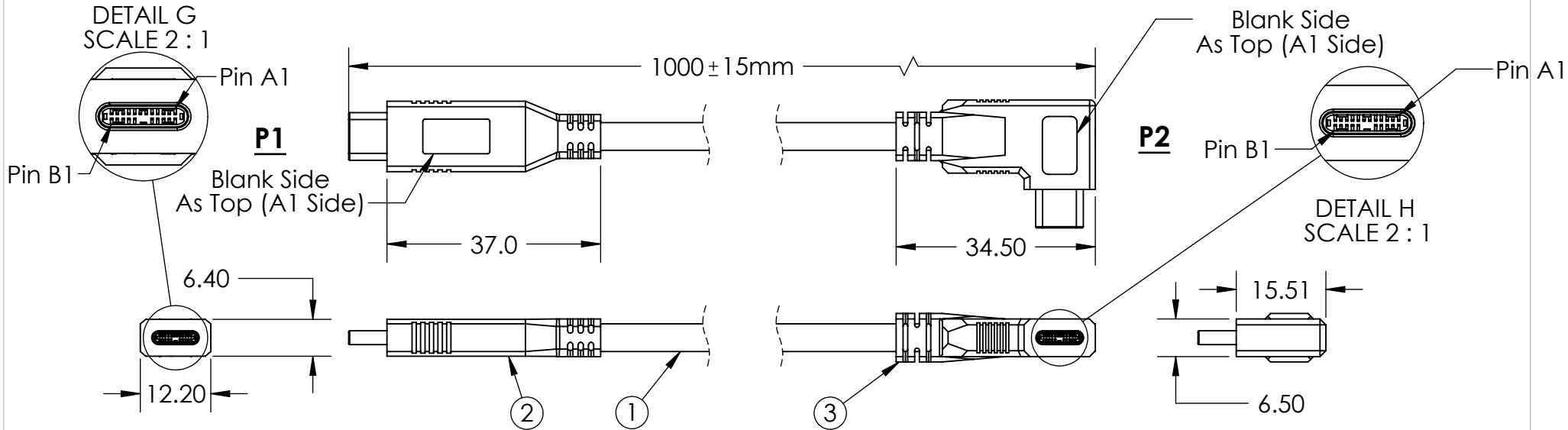
THIS DOCUMENT AND THE DATA DISCLOSED HEREIN OR WITHIN IS NOT TO BE REPRODUCED, USED, OR DISCLOSED IN WHOLE OR PART TO ANYONE WITHOUT THE WRITTEN PERMISSION OF NEWNEX

COMPANY NAME

CUSTOMER SIGNATURE

DATE

COMMENTS:



WIRING STRUCTURE

| USB Type-C Plug #1 | | WIRE | | USB Type-C Plug #2 | |
|--------------------|--------|-------------|-----------|--------------------|--------|
| PIN | SIGNAL | Wire Number | SIGNAL | PIN | SIGNAL |
| A1, B1, A12, B12 | GND | 1 | GND_PWRrt | A1, B1, A12, B12 | GND |
| A4, B4, A9, B9 | VBUS | 2 | PWR_Vbus | A4, B4, A9, B9 | VBUS |
| A5 | CC | 3 | CC | A5 | CC |
| B5 | VCONN | | NC | B5 | VCONN |
| A6 | Dp1 | 4 | UTP_Dp | A6 | Dp1 |
| A7 | Dn1 | 5 | UTP_Dn | A7 | Dn1 |
| A2 | SSTXp1 | 6 | SDPp1 | B11 | SSRXp1 |
| A3 | SSTXn1 | 7 | SDPn1 | B10 | SSRXn1 |
| B11 | SSRXp1 | 8 | SDPp2 | A2 | SSTXp1 |
| B10 | SSRXn1 | 9 | SDPn2 | A3 | SSTXn1 |
| B2 | SSTXp2 | 10 | SDPp3 | A11 | SSRXp2 |
| B3 | SSTXn2 | 11 | SDPn3 | A10 | SSRXn2 |
| A11 | SSRXp2 | 12 | SDPp4 | B2 | SSTXp2 |
| A10 | SSRXn2 | 13 | SDPn4 | B3 | SSTXn2 |
| A8 | SBU1 | 14 | SBU_A | B8 | SBU2 |
| B8 | SBU2 | 15 | SBU_B | A8 | SBU1 |
| SHELL | Shield | Braid | Shield | SHELL | Shield |

Notes:

1. Cable: USB 3.1 Full Feature Cable
2. Connector: USB 3.1 Type-C Male.
3. Connector: USB 3.1 Type-C Right Side Angled
4. Packaging: 1 Piece + PE bag.

Newnex Technology Corp.



UNLESS OTHERWISE SPECIFIED DIMENSIONS ARE IN MILLIMETERS TOLERANCES ARE:

FRACTIONS DECIMALS ANGLES
 • NA X± 0.2
 XX± 0.10
 XXX± 0.050

PROJ: [Symbol] TITLE: USB 3.1 C Male to C Right Side Male, 1M, Black.

SCALE: 1:1 REV: A

DATE: 9/10/2019

DRAWN BY: ZL

APPROVED BY: XW

PART NUMBER: U4S5C01CR5-010

CHECKED BY:

SHEET 1 OF 1

REVISION COMMENTS: Drawing generated

*100% OPEN, SHORT, MISWIRE TESTING

*RoHS compliant product