

4

3

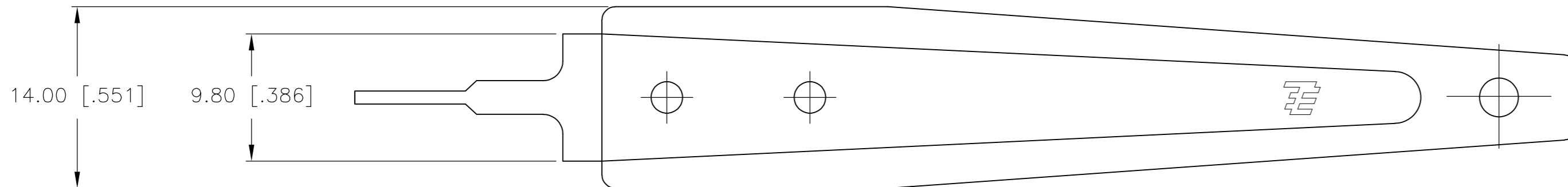
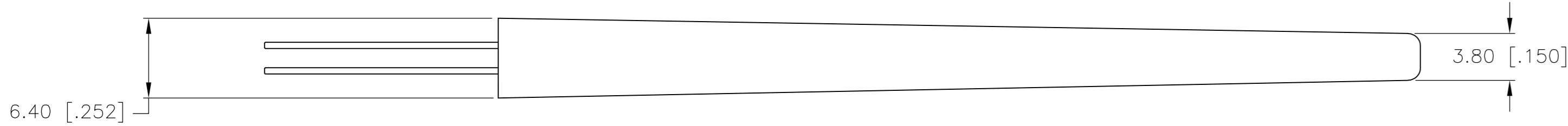
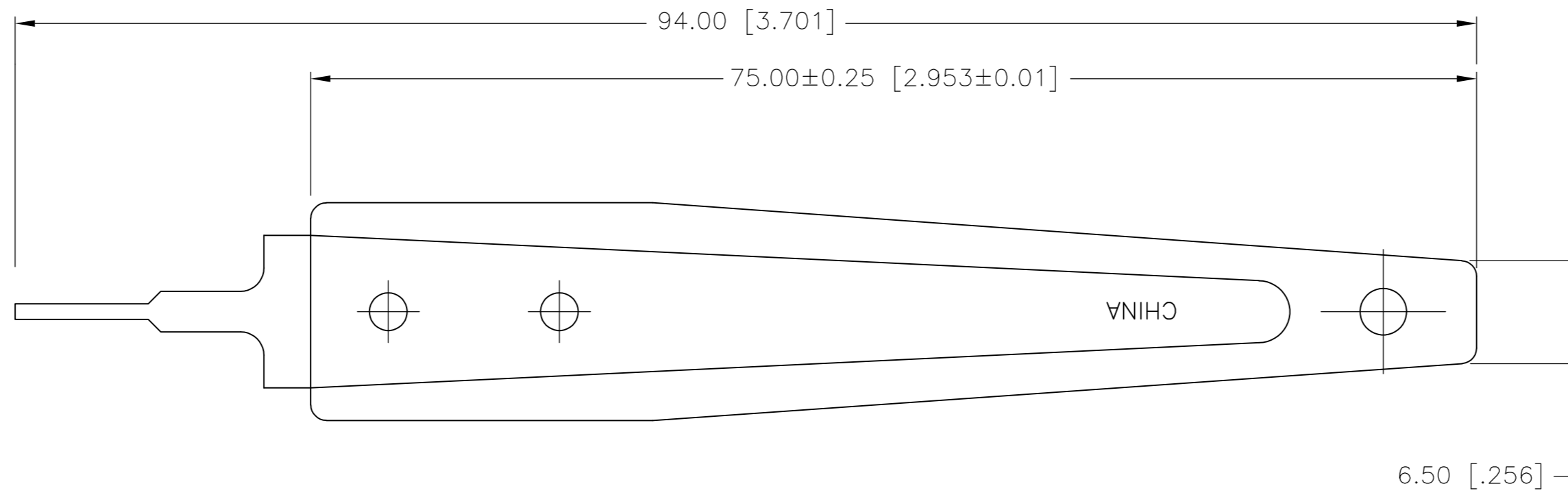
2

1

THIS DRAWING IS UNPUBLISHED. RELEASED FOR PUBLICATION
 © COPYRIGHT BY TYCO ELECTRONICS CORPORATION. ALL RIGHTS RESERVED.

LOC	DIST	REVISIONS					
		P	LTR	DESCRIPTION	DATE	DWN	APVD
CM	00		A	REVISED PER ECO-08-006888	24MAR08	HMR	CC
			B	REVISED PER ECO-13-011231	10JULY13	AZ	FM

1 MATERIAL:
 HANDLE: NYLON, UL94V-0, BLACK.
 TINES: STAINLESS STEEL.



1586343-1
 PART NUMBER

METRIC

THIS DRAWING IS A CONTROLLED DOCUMENT.		DWN	S. HOOVER	20-APR-2004	Tyco Electronics Corporation Harrisburg, PA 17105-3608
DIMENSIONS: mm [INCHES]		CHK	D. COLEY	20-APR-2004	
TOLERANCES UNLESS OTHERWISE SPECIFIED:		APVD	D. COLEY	20-APR-2004	
0 PLC ± 1 PLC ± 2 PLC ± 0.13 [.005] 3 PLC ± 4 PLC ± ANGLES ± FINISH		PRODUCT SPEC	NAME		
MATERIAL		APPLICATION SPEC	WEIGHT		RESTRICTED TO
CUSTOMER DRAWING		SCALE	4:1	SHEET	1 of 1
		SIZE	A2	CAGE CODE	00779
		DRAWING NO	C=1586343		REV
		REV	B		

1586343