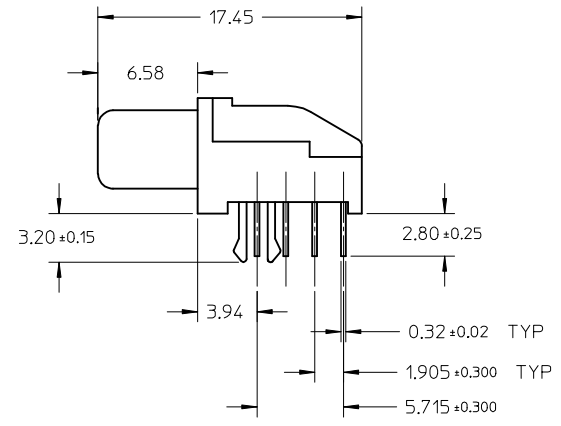
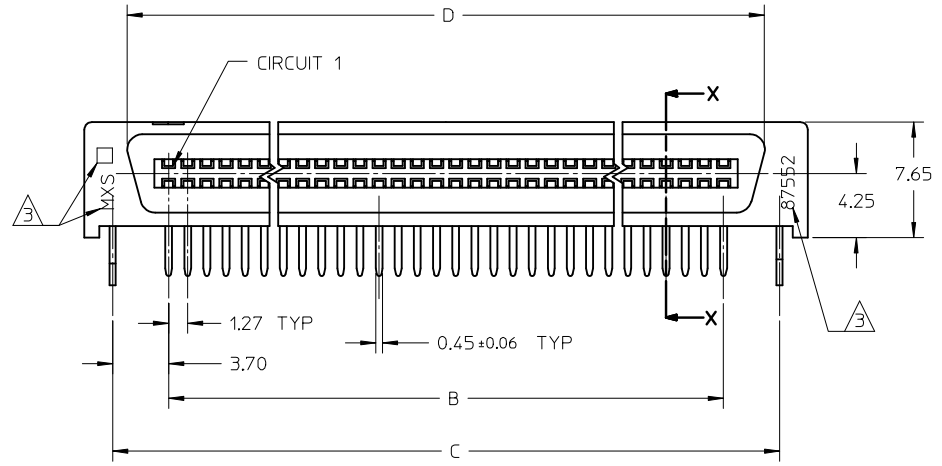
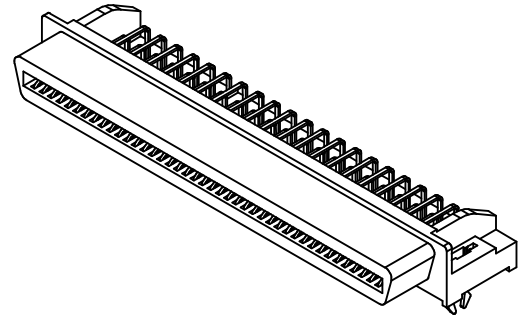
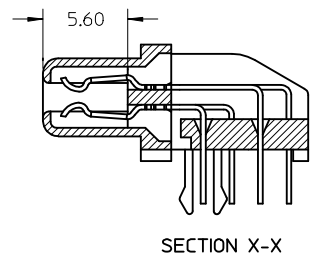
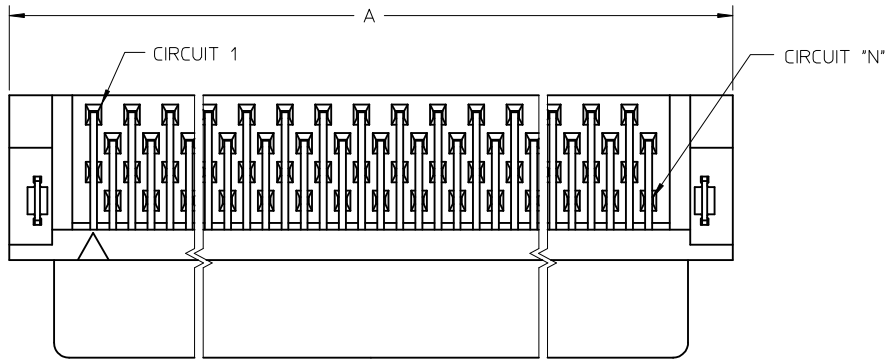
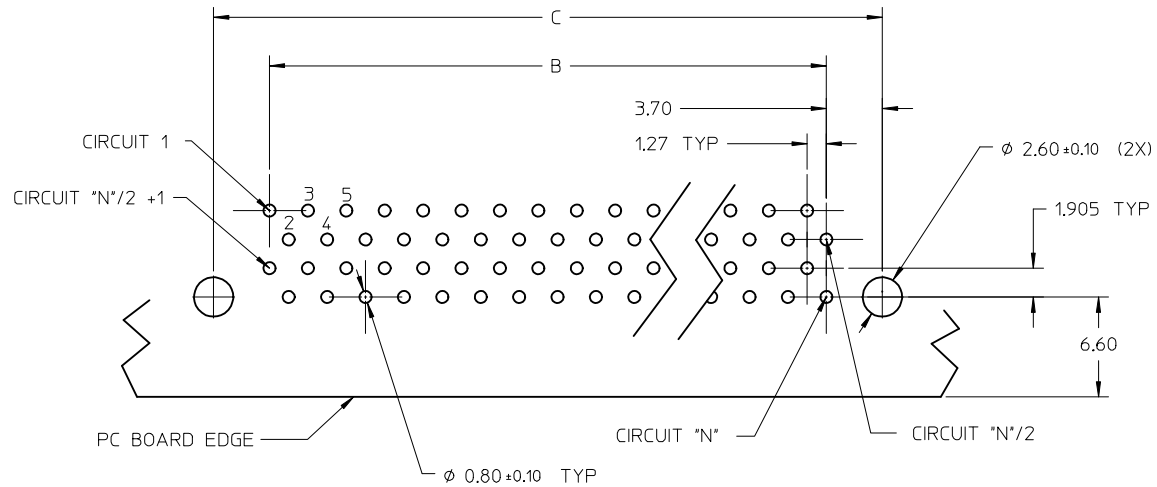


ASSEMBLY P/N	CKT SIZE	A	B	C	D
87552-1580	80	60.75	49.53	56.93	55.07



- NOTES:
- MATERIAL:
HOUSING : HIGH TEMPERATURE THERMOPLASTIC, UL 94-V0
TERMINAL AND FORKLOCK : COPPER ALLOY
 - PLATING:
TERMINAL: 0.38µM MIN. GOLD ON CONTACT AREA AND
2.54µM MIN. TIN ON SOLDER TAIL AREA,
BOTH OVER 1.27µM MIN. NICKEL.
FORKLOCK: 2.54µM MIN TIN OVER 1.25µM MIN. NICKEL.
- △ MOLEX LOGO, CAVITY AND PART NUMBER LOCATED APPROXIMATELY AS SHOWN
- ASSEMBLY MATES WITH MOLEX P/N 71661-****.
 - RECOMMENDED PCB THICKNESS IS 1.60MM.
 - PRODUCT SPECIFICATION PS-87552-006 APPLIES

REVISED EC NO: S2007-1023 DRWN:SKANG CHKD:ATSEE APPR:MLONG 2007/05/23 2007/05/23 2007/05/23	QUALITY SYMBOLS	GENERAL TOLERANCES (UNLESS SPECIFIED)	DIMENSION STYLE	SCALE	DESIGN UNITS	THIRD ANGLE PROJECTION
	▽=0 ◻=0	mm INCH 4 PLACES ± --- ± --- 3 PLACES ± --- ± --- 2 PLACES ± 0.3 ± --- 1 PLACE ± --- ± --- ANGULAR ± 3 °	MM ONLY	NTS	METRIC	
	DESCRIPTION	DRAFT WHERE APPLICABLE MUST REMAIN WITHIN DIMENSIONS	DRAWN BY: ANG DATE: 2005/04/15 CHECKED BY: KCL ING DATE: 2005/05/05 APPROVED BY: SKTOH DATE: 2005/05/06	TITLE	EBBI, 1.27MM PITCH RECEPTACLE, R/A	
	A1		MATERIAL NO.	SEE TABLE	MOLEX INCORPORATED	
			SIZE: A3	DOCUMENT NO. SD-87552-012		SHEET NO. 1 OF 2
			THIS DRAWING CONTAINS INFORMATION THAT IS PROPRIETARY TO MOLEX INCORPORATED AND SHOULD NOT BE USED WITHOUT WRITTEN PERMISSION			



RECOMMENDED PCB LAYOUT
COMPONENT SIDE

REVISED EC NO: S2007-1023 DRWN:SKANG 2007/05/23 CHKD:ATSEE 2007/05/23 APPR:MLONG 2007/05/23	DESCRIPTION A1	QUALITY SYMBOLS	GENERAL TOLERANCES (UNLESS SPECIFIED)	DIMENSION STYLE MM ONLY	SCALE NTS	DESIGN UNITS METRIC	THIRD ANGLE PROJECTION																
		▼=0 □=0	<table border="1"> <thead> <tr> <th></th> <th>mm</th> <th>INCH</th> </tr> </thead> <tbody> <tr> <td>4 PLACES</td> <td>± ---</td> <td>± ---</td> </tr> <tr> <td>3 PLACES</td> <td>± ---</td> <td>± ---</td> </tr> <tr> <td>2 PLACES</td> <td>± 0.3</td> <td>± ---</td> </tr> <tr> <td>1 PLACE</td> <td>± ---</td> <td>± ---</td> </tr> </tbody> </table> ANGULAR ± 3 °		mm	INCH	4 PLACES	± ---	± ---	3 PLACES	± ---	± ---	2 PLACES	± 0.3	± ---	1 PLACE	± ---	± ---	DRAWN BY: ANG DATE: 2005/04/15 CHECKED BY: KCLING DATE: 2005/05/05 APPROVED BY: SKTOH DATE: 2005/05/06	TITLE	EBBI, 1.27MM PITCH RECEPTACLE, R/A		
			mm	INCH																			
		4 PLACES	± ---	± ---																			
3 PLACES	± ---	± ---																					
2 PLACES	± 0.3	± ---																					
1 PLACE	± ---	± ---																					
DRAFT WHERE APPLICABLE MUST REMAIN WITHIN DIMENSIONS				SEE TABLE	MOLEX INCORPORATED DOCUMENT NO. SD-87552-012		SHEET NO. 2 OF 2																
				SIZE: A3	THIS DRAWING CONTAINS INFORMATION THAT IS PROPRIETARY TO MOLEX INCORPORATED AND SHOULD NOT BE USED WITHOUT WRITTEN PERMISSION																		