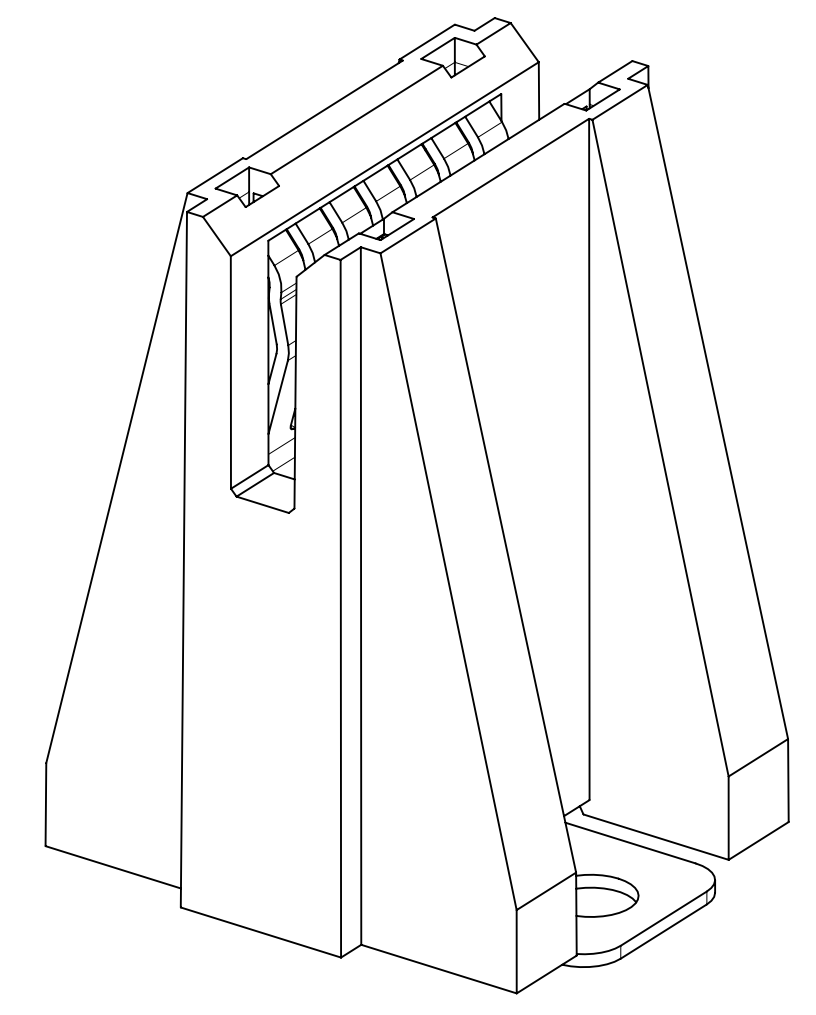
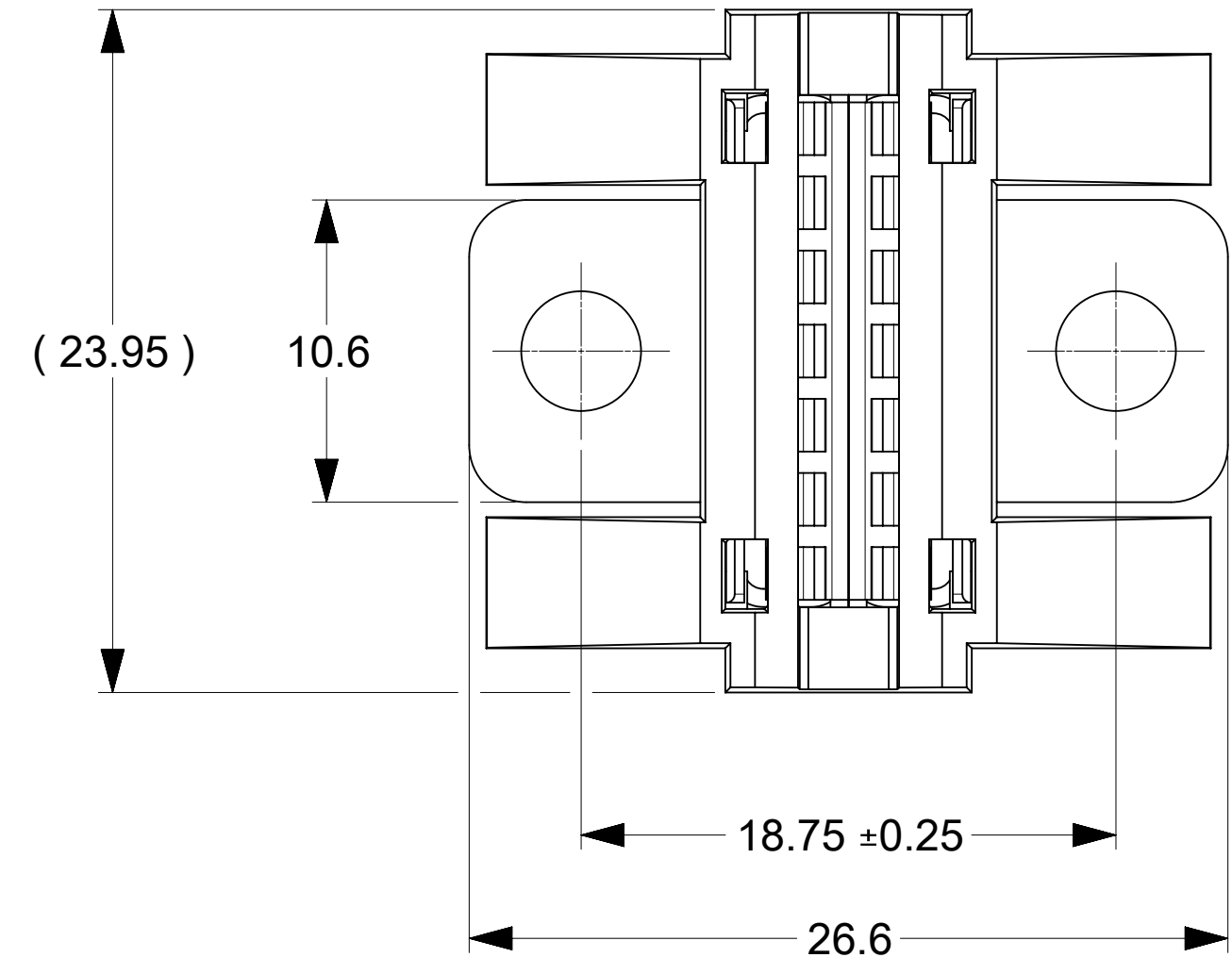
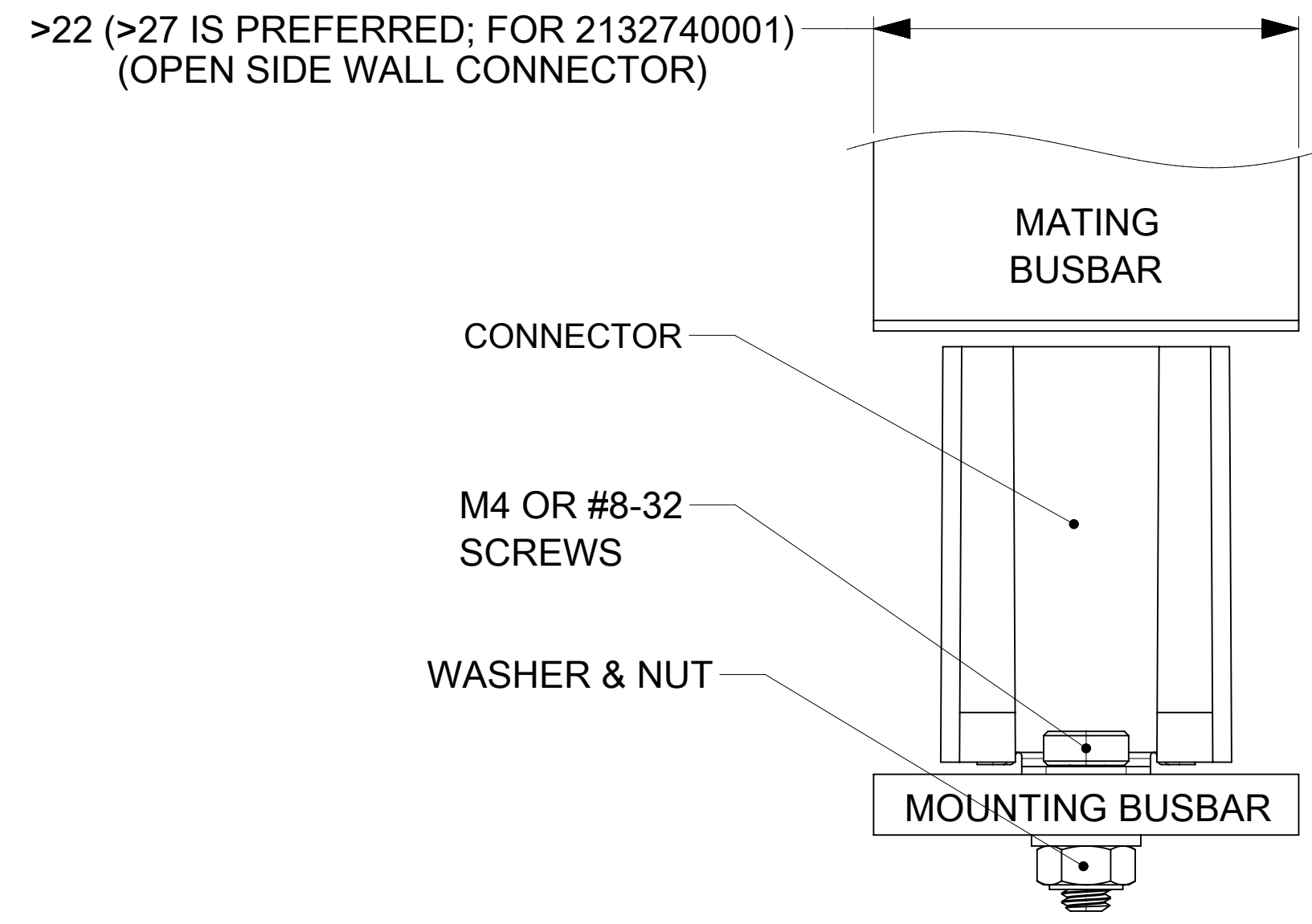
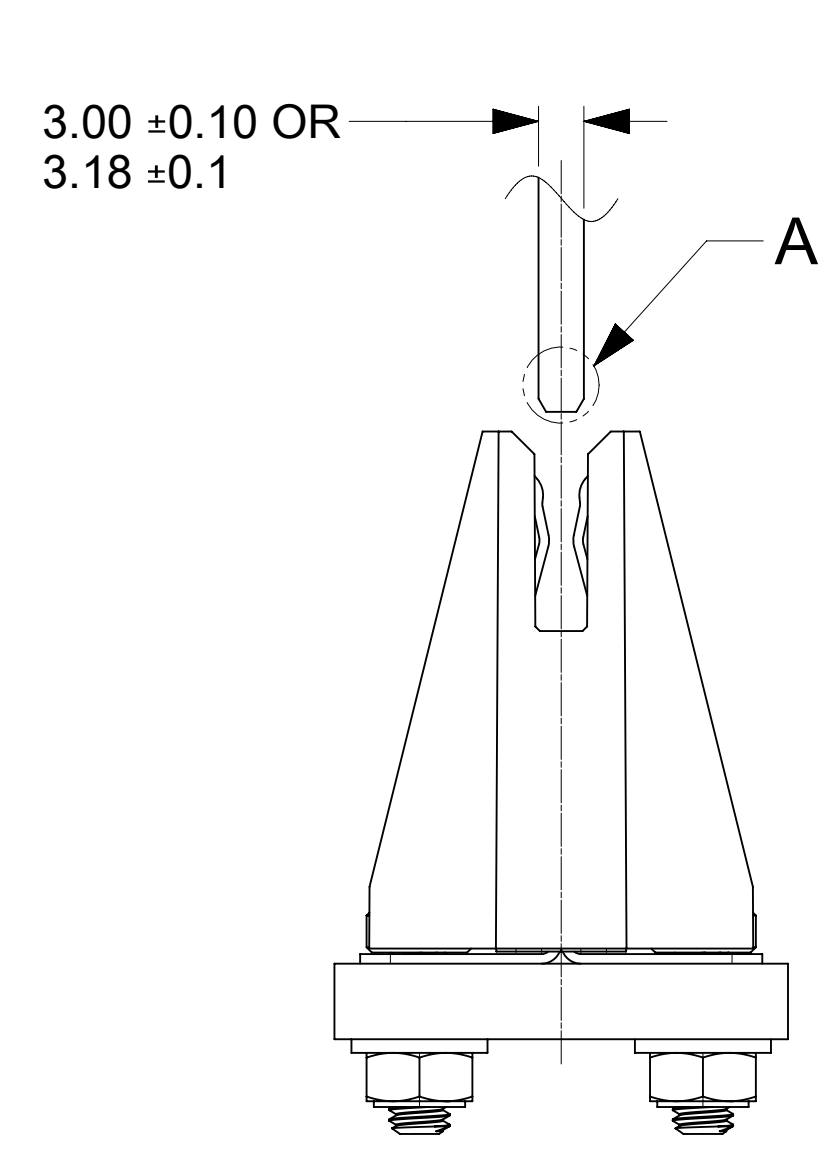
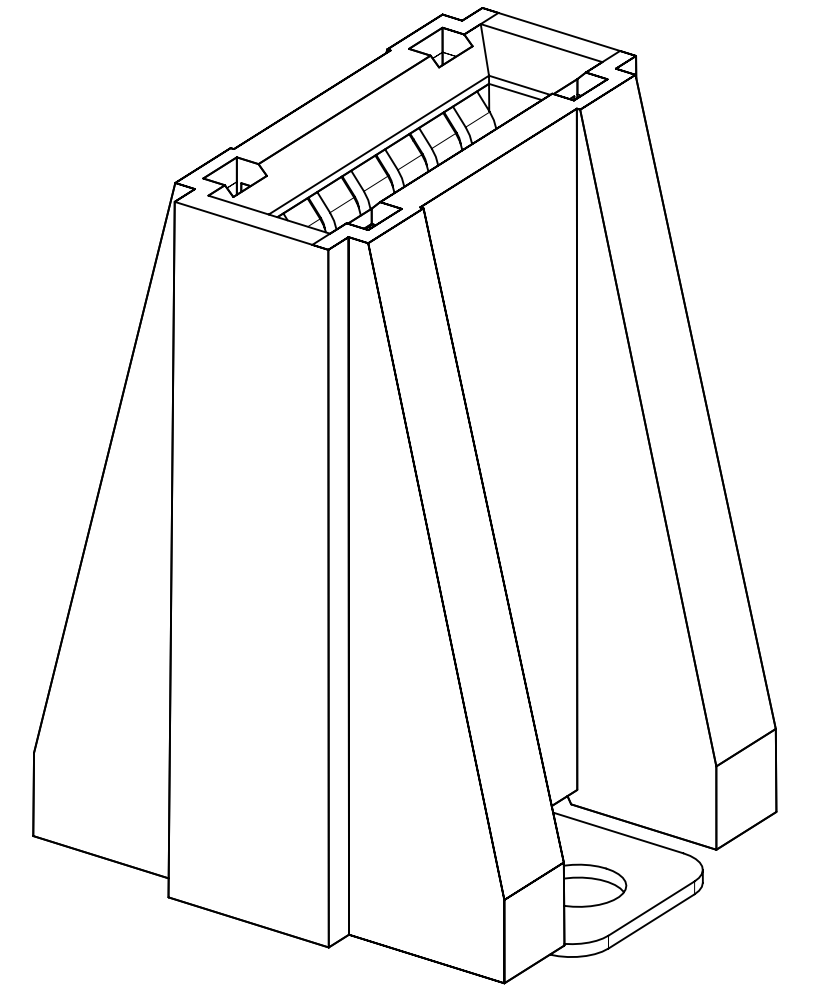
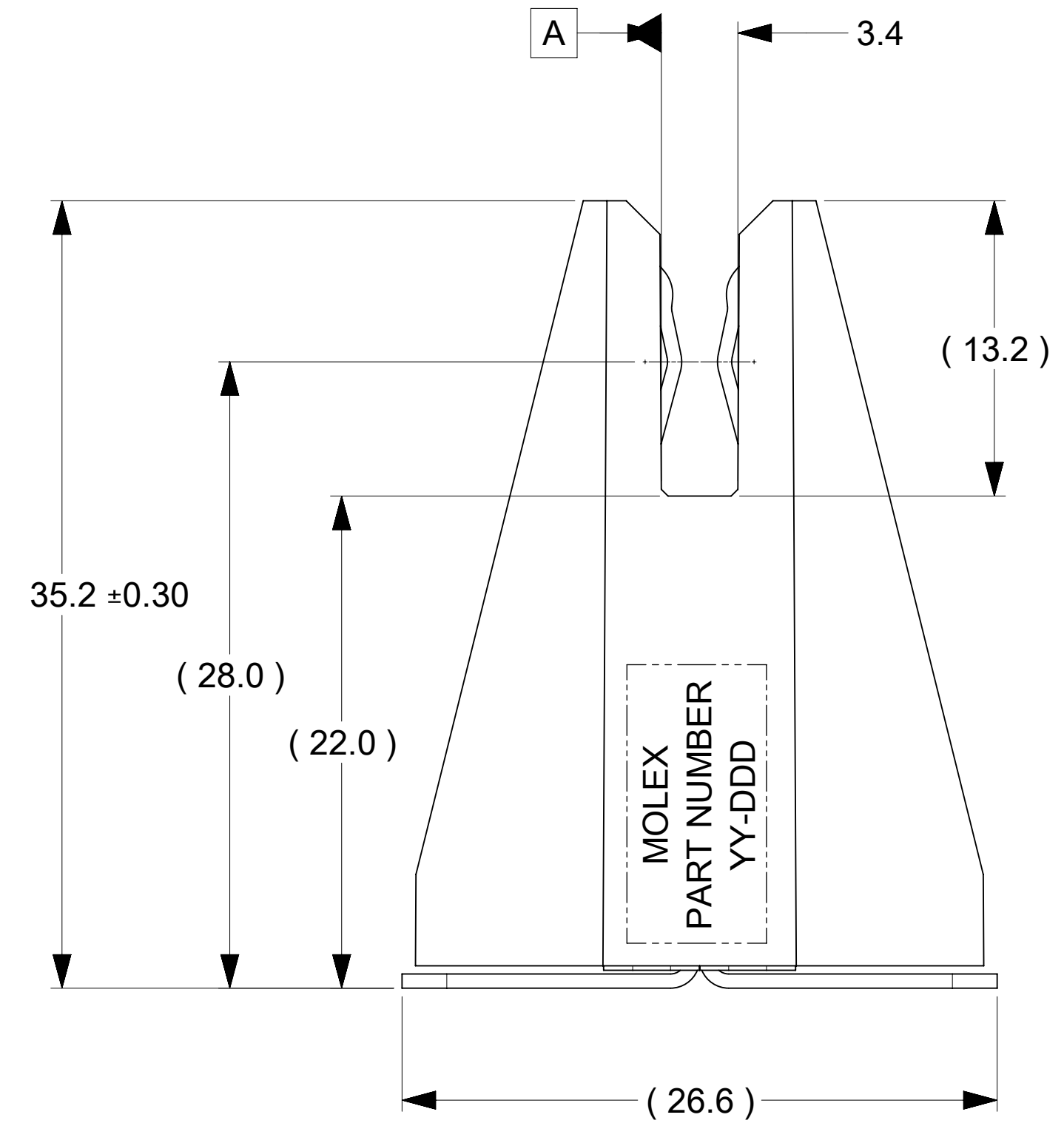
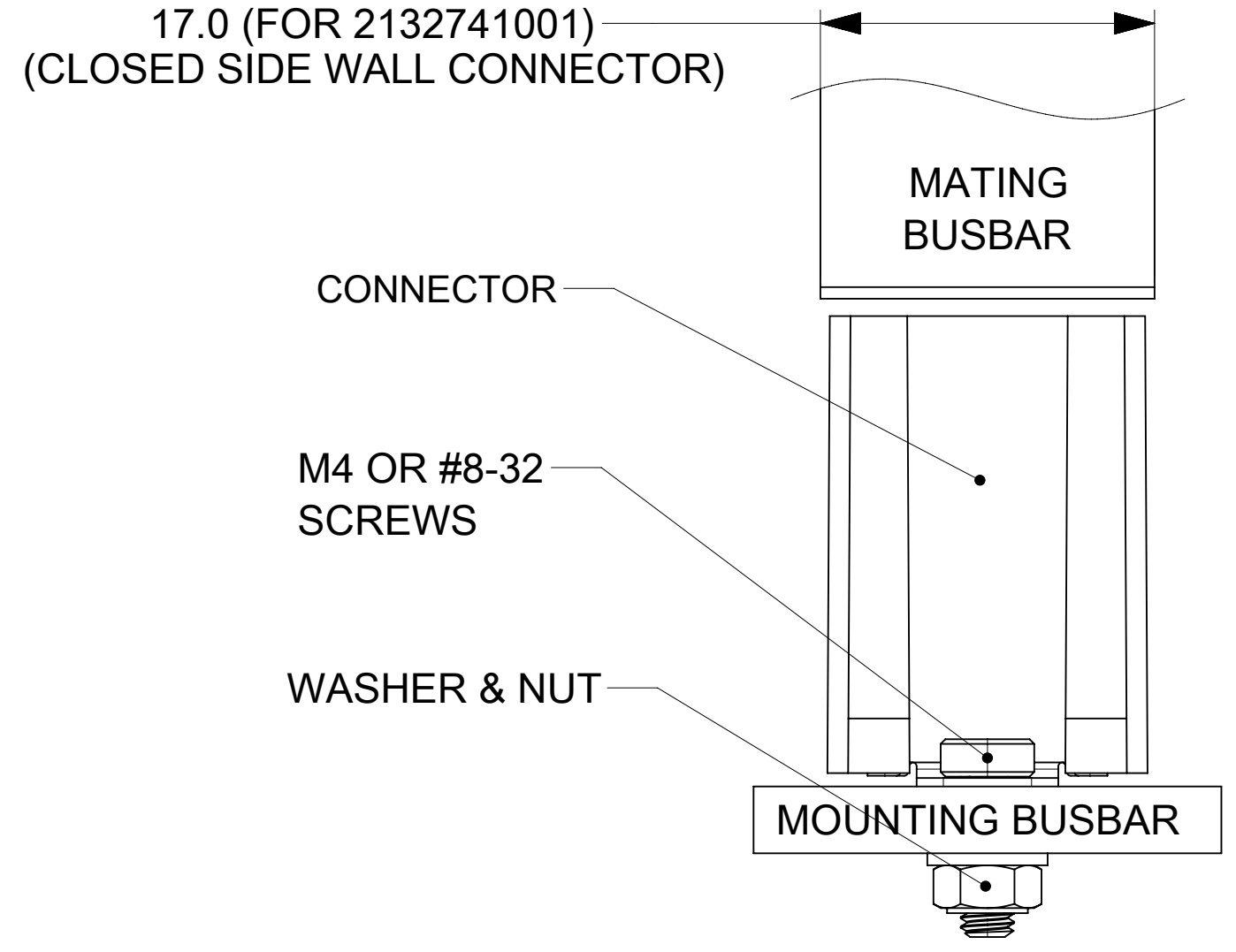
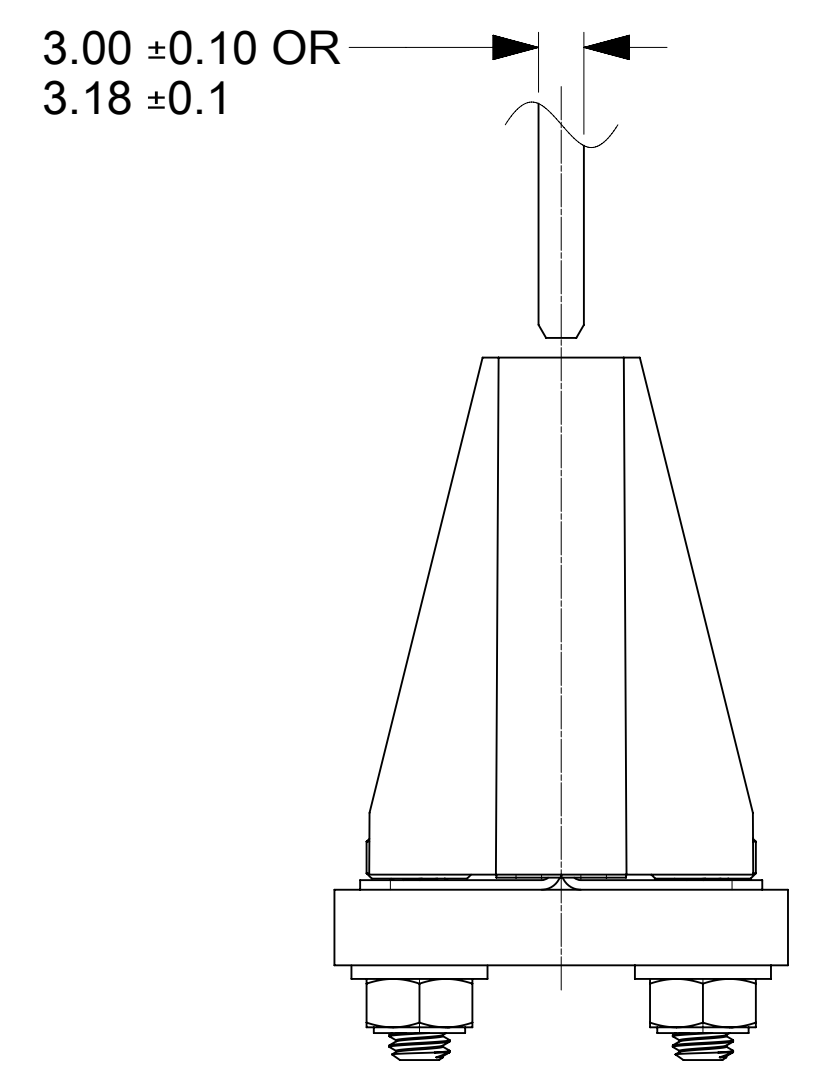


PART NUMBER	DESCRIPTION	NOTE
2132740001	OPEN SIDE WALL	
2132741001	CLOSED SIDE WALL	

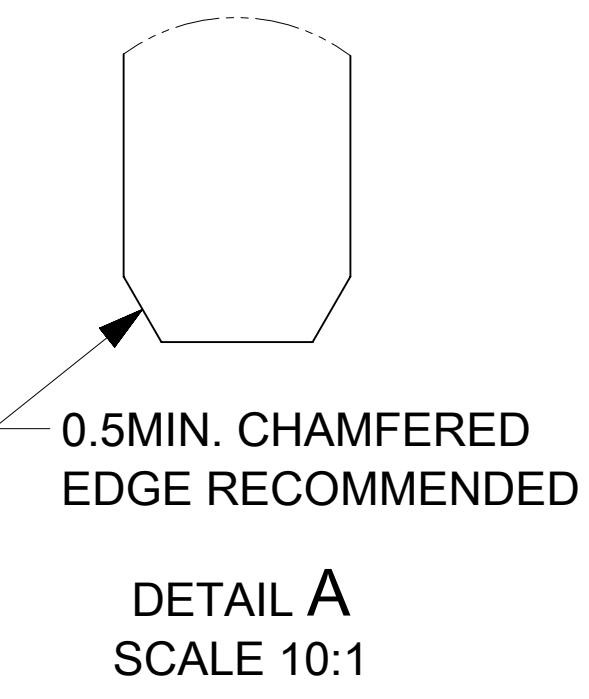
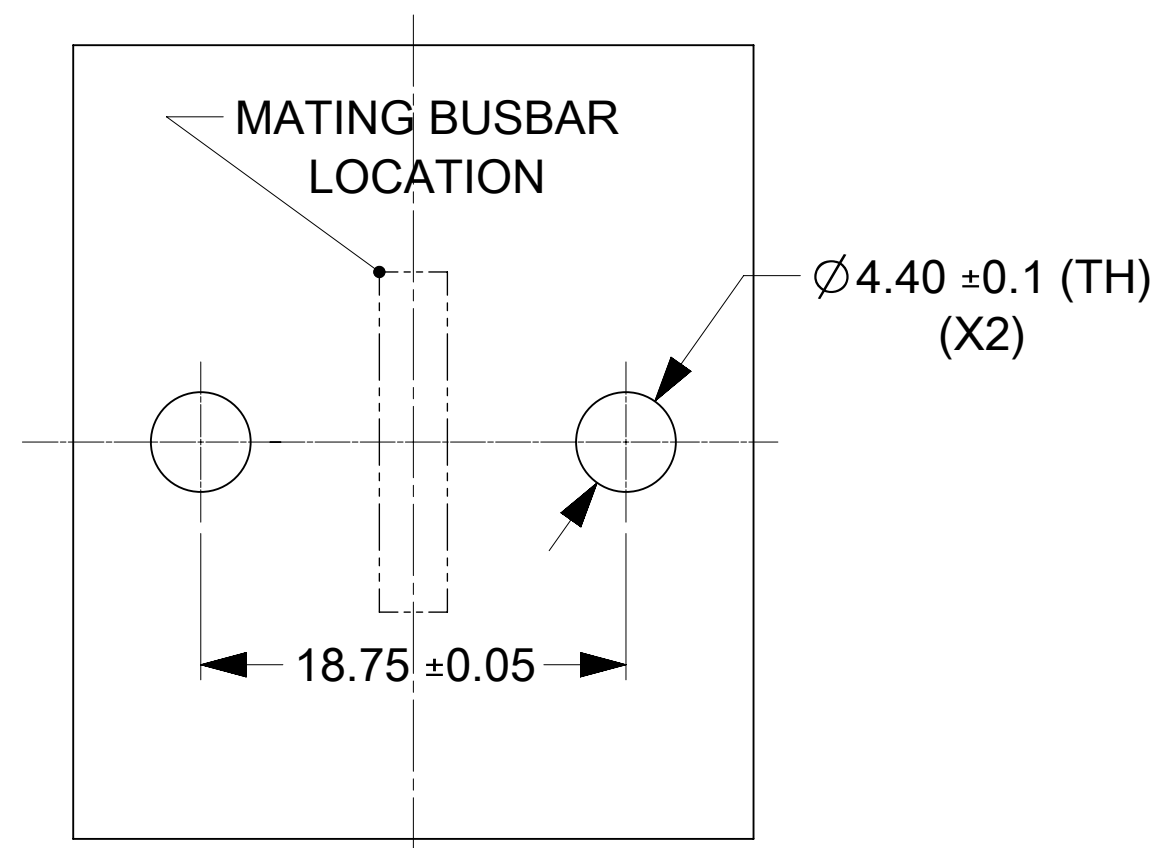


PART NUMBER: 2132740001
(OPEN SIDE WALLS)



PART NUMBER: 2132741001
(CLOSED SIDE WALLS)

BUSBARS, SCREWS, WASHER AND NUTS
IN THESE VIEWS ARE SHOWN FOR REFERENCE



- NOTES:
- MATERIALS:
 - HOUSING BODY: POLYMER, UL94V-0, BLACK.
 - TERMINALS: COPPER ALLOY.
 - RIVET/CLIP: COPPER ALLOY.
 - PLATING:
 - CONTACT AREAS: 3.18 MICRON MIN. SILVER, OVER 1.27 MICRON MIN. NICKEL.
 - TAB AREAS: 3.18 MICRON MIN. TIN OVER 1.27 MICRON MIN. NICKEL.
 - REST: 1.27 MICRON MIN. NICKEL.
 - LUBRICATION: LUBED IN CONTACT AREA.
 - REFERENCE DOCUMENT: 2132740001-PS, 2132740001-AS
 - MODULE ASSEMBLY IS RoHS COMPLIANT.
 - FINAL ASSEMBLY TO BE PACKAGED AND LABELED PER PACKAGING KIT DRAWING NUMBER 2132740001-PK.

THIS DRAWING CONTAINS INFORMATION THAT IS PROPRIETARY TO MOLEX ELECTRONIC TECHNOLOGIES, LLC AND SHOULD NOT BE USED WITHOUT WRITTEN PERMISSION									
DIMENSION UNITS		SCALE		CURRENT REV DESC:					
mm		3:1							
GENERAL TOLERANCES (UNLESS SPECIFIED)				EC NO: 691460					
ANGULAR TOL				±		°		DRWN: TOMLU 2022/02/24	
4 PLACES				±				CHK'D: BPISZCZOR 2022/03/09	
3 PLACES				±				APPR: BPISZCZOR 2022/03/09	
2 PLACES				±		0.15		INITIAL REVISION:	
1 PLACE				±		0.25		DRWN: TOMLU 2021/06/22	
0 PLACES				±				APPR: BPISZCZOR 2022/03/09	
DRAFT WHERE APPLICABLE MUST REMAIN WITHIN DIMENSIONS			THIRD ANGLE PROJECTION		DRAWING		SERIES		MATERIAL NUMBER
			D-SIZE		213274		SEE CHART		CUSTOMER
DOCUMENT NUMBER				DOC TYPE		DOC PART		REVISION	
2132740001-SD				PSD		000		A	
DOCUMENT NUMBER				CUSTOMER		SHEET NUMBER			
213274				SEE CHART		1 OF 1			

RECOMMENDED BUSBAR LAYOUT