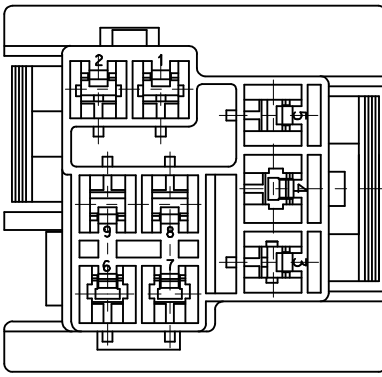
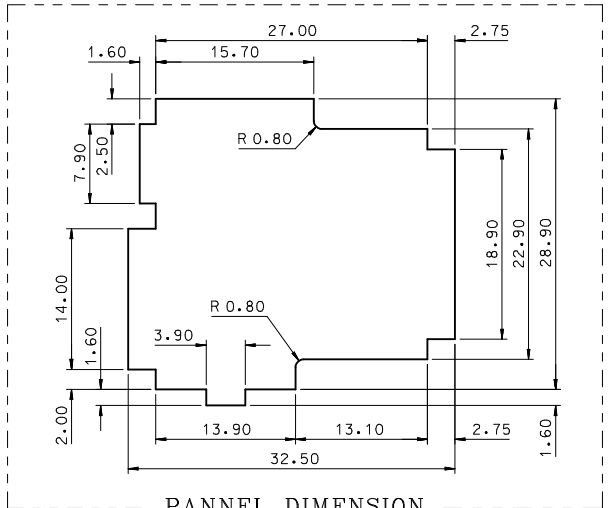
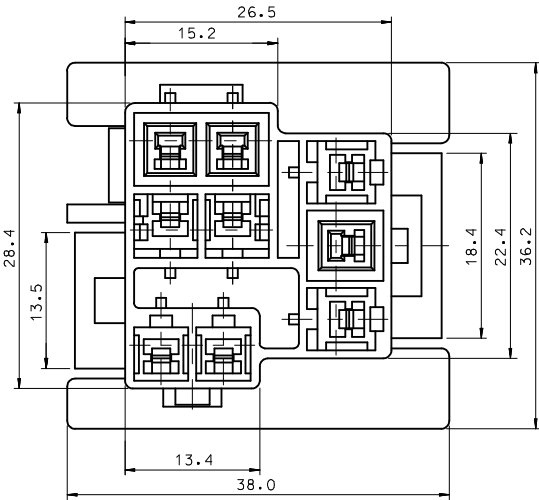


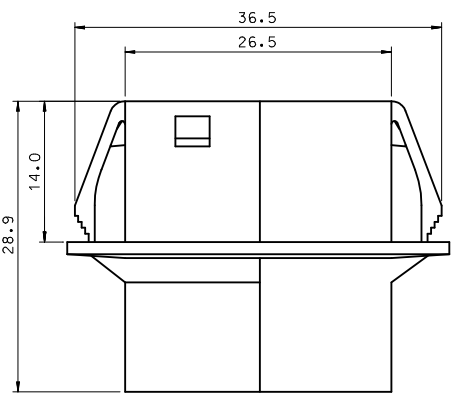
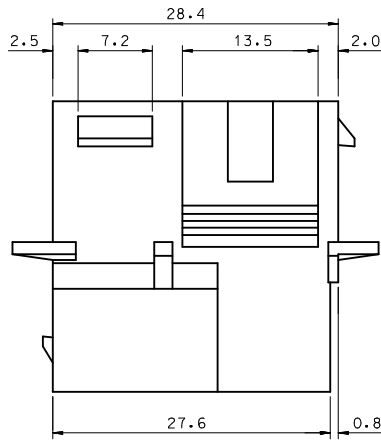
10 9 8 7 6 5 4 3 2 1



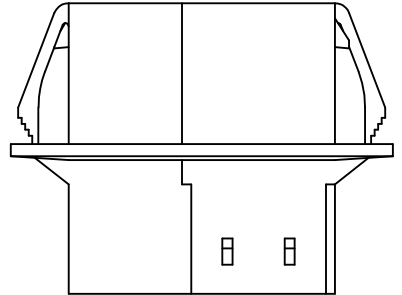
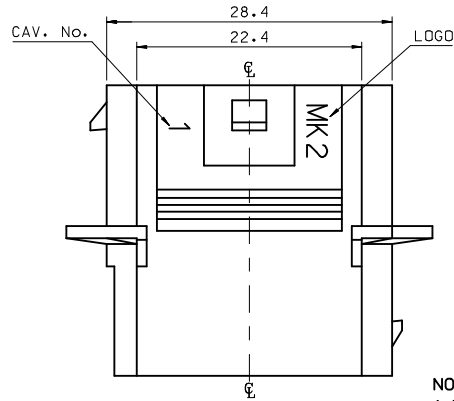
VIEW "A"



PANEL DIMENSION



↑
"A"



NOTES.

- 1. MATERIAL : SEE TABLE.
- ② 2. MATED HOUSING : 35525-020*/35151-021*/#219
35151-031*/#319, 35151-041*/#419
- 3. APPLICABLE TERMINAL : 35745-0*10 (1.2.3 CIRCUIT)
35746-0*10 (4.6.7 CIRCUIT)
35747-0*10 (5.8.9 CIRCUIT)
- 4. MATED T.P.A : 35150-029*/35150-039*

NO	PRODUCT		MATERIAL		DESCRIPTION
	ENG NO.	MATERIAL NO.	EDP NO.	COLOR	
1	35524-0920	355240920	89992-0090	NATURAL	PBT (UL94V-0)
2	35524-0924	355240924	89992-0865	BLUE	PBT/PC (UL94V-0)
3	35524-0929	355240929	89992-1234	NATURAL	PBT/PC (UL94V-0)
4	35524-4929	355244929	89992-1329	BLUE	PBT/PC (UL94V-0)

REVISED
 IEC NO: KOR2013-0064
 2013/01/11
 DRWN: JSSHIN
 2013/01/11
 CHKD: SHCHU
 2013/01/14
 APPR: YSKIM02

QUALITY SYMBOLS
 ▼=0
 ◻=0

GENERAL TOLERANCES (UNLESS SPECIFIED)

	mm	INCH
4 PLACES	± ---	± ---
3 PLACES	± ---	± ---
2 PLACES	± ---	± ---
1 PLACE	± 0.30	± ---
ANGULAR ± 1 °		

DRAFT WHERE APPLICABLE
 MUST REMAIN WITHIN DIMENSIONS

DIMENSION STYLE
MM ONLY

SCALE
2:1

DESIGN UNITS
METRIC

THIRD ANGLE PROJECTION

DRAWN BY: SK.HAN
 DATE: 2007/12/13

CHECKED BY: WY.YANG
 DATE: 2007/12/13

APPROVED BY: EH.JUNG
 DATE: 2007/12/13

MATERIAL NO.

TITLE
.070 MULTI CONN MALE HOUSING -9P

MOLEX INCORPORATED

DOCUMENT NO. SD-35524-001

SHEET NO. 1 OF 1

THIS DRAWING CONTAINS INFORMATION THAT IS PROPRIETARY TO MOLEX INCORPORATED AND SHOULD NOT BE USED WITHOUT WRITTEN PERMISSION

9 8 7 6 5 4 3 2 1