

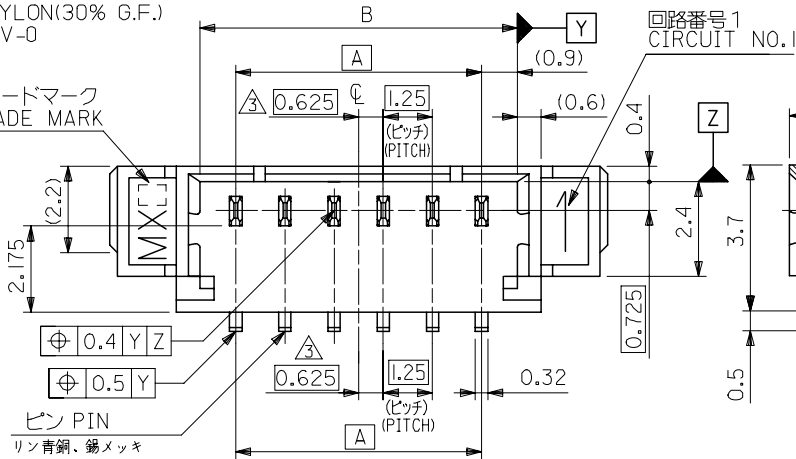
注記 NOTES

- 1. 嵌合相手: 51021シリーズ MATE WITH : 51021 SERIES
- △ 水平面上において、ウエハー底面 [W] とソルダーテール及びフィッティングネイル底面とのズレ量を示す。
MISALIGNMENT OF SOLDER TAIL & FITTING NAIL FROM [W]
- △ 偶数極にのみ適用。APPLY EVEN CIRCUIT PRODUCTS.
- △ ロック窓は、2、3極は1ヶ所、4極以上は2ヶ所とする。
LOCKING WINDOW : ONE PLACE FOR 2&3 CKTS.
TWO PLACES FOR MORE THAN 4 CKTS.

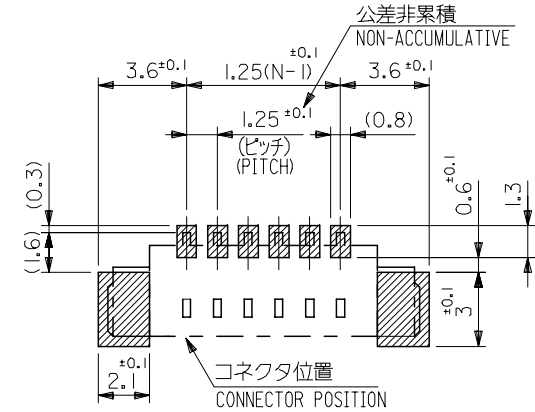
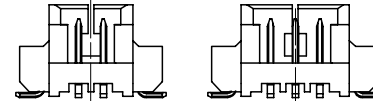
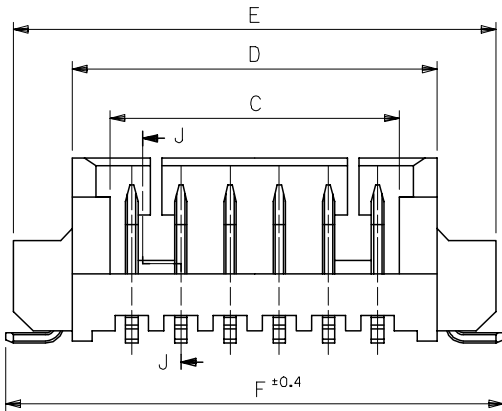
金具
FITTING NAIL
リン青銅、錫メッキ
PHOS.BRO.
Tin 14μMIN.
OVER Ni 14μMIN.
PLATING

ウエハー
WAFER
46 NYLON(30% G.F.)
UL94V-0

トレードマーク
TRADE MARK



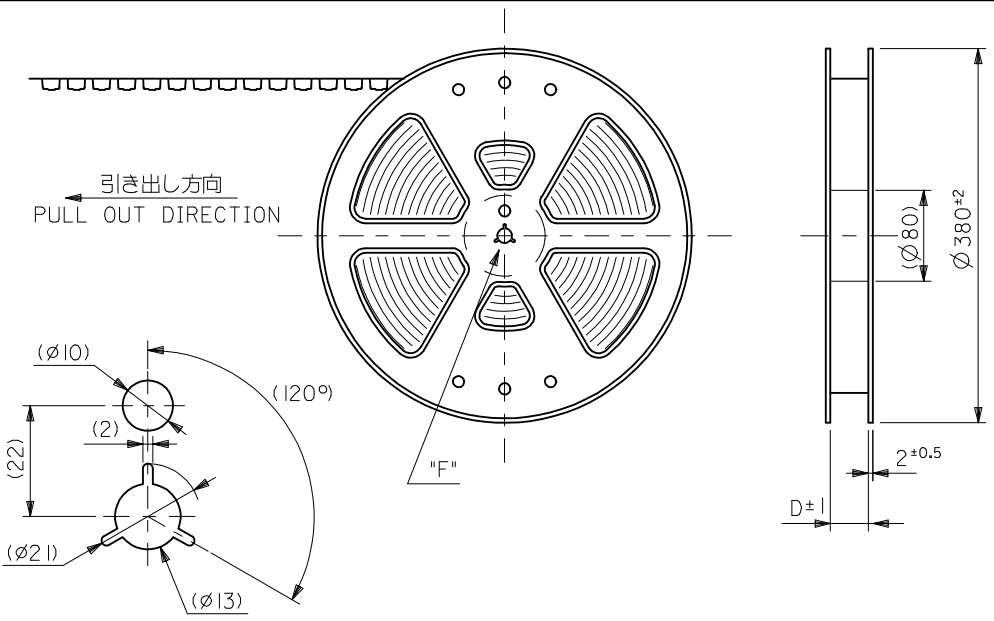
ピン PIN
リン青銅、錫メッキ
PHOS.BRO.
Tin 14μMIN.
OVER Ni 14μMIN.
PLATING



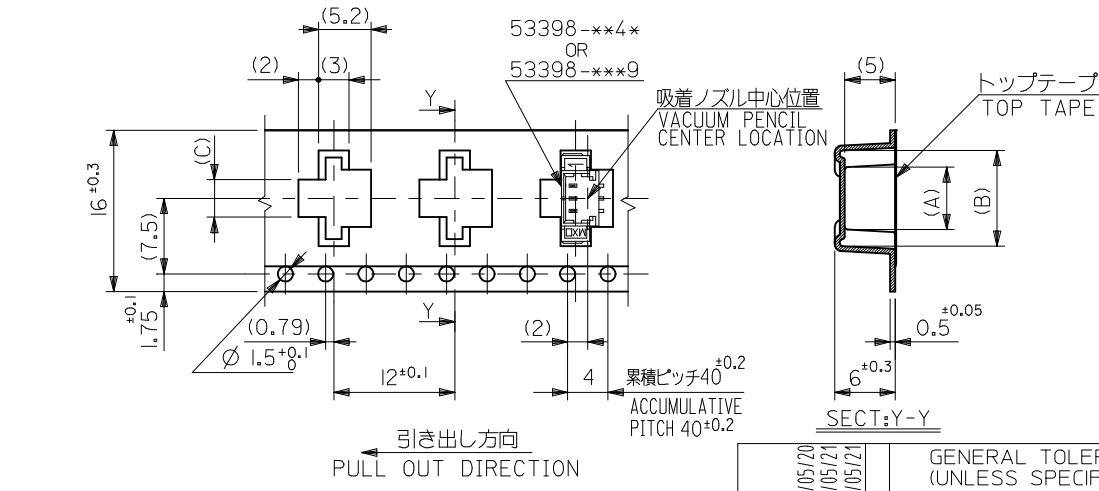
| | | | | | | | | |
|-------|-------|-------|-------|-------|-------|------------|-----------|----|
| 23.9 | 23.5 | 20.5 | 18.6 | 19.3 | 17.5 | 53398-154* | 53398-159 | 15 |
| 22.65 | 22.25 | 19.25 | 17.35 | 18.05 | 16.25 | -144* | -149 | 14 |
| 21.4 | 21 | 18 | 16.1 | 16.8 | 15 | -134* | -139 | 13 |
| 20.15 | 19.75 | 16.75 | 14.85 | 15.55 | 13.75 | -124* | -129 | 12 |
| 18.9 | 18.5 | 15.5 | 13.6 | 14.3 | 12.5 | -114* | -119 | 11 |
| 17.65 | 17.25 | 14.25 | 12.35 | 13.05 | 11.25 | -104* | -109 | 10 |
| 16.4 | 16 | 13 | 11.1 | 11.8 | 10 | -094* | -099 | 9 |
| 15.15 | 14.75 | 11.75 | 9.85 | 10.55 | 8.75 | -084* | -089 | 8 |
| 13.9 | 13.5 | 10.5 | 8.6 | 9.3 | 7.5 | -074* | -079 | 7 |
| 12.65 | 12.25 | 9.25 | 7.35 | 8.05 | 6.25 | -064* | -069 | 6 |
| 11.4 | 11 | 8 | 6.1 | 6.8 | 5 | -054* | -059 | 5 |
| 10.15 | 9.75 | 6.75 | 4.85 | 5.55 | 3.75 | -044* | -049 | 4 |
| 8.9 | 8.5 | 5.5 | 3.6 | 4.3 | 2.5 | -034* | -039 | 3 |
| 7.65 | 7.25 | 4.25 | 2.35 | 3.05 | 1.25 | -024* | -029 | 2 |

| | | |
|-----------------|------------------------------------------|------------------------|
| MATERIAL NO. | 53398-024* | 53398-029 |
| MODEL NO. | 53398-xx4* | 53398-xx9 |
| COLOR | 3: 黄 YELLOW 4: 紫 PURPLE 6: 緑 GREEN | 8: 黒 BLACK 9: 赤 RED |
| 極数 NO. OF CKTS. | | |

| | | | | | | | |
|-------------------------------------------------------------------------------------------------------------------------|---------------------------------------|-------------------------------------------------------------------------------------------------------------------------------|----------------------------|---------------------------|-------------------------------------------------------------------|------------------------|------------------------|
| REVISED EC NO: J2007-3218 DRWN: AYOYAGI CHKD: NUKITA APPR: NUKITA 2007/05/25 2007/05/29 2007/05/29 | GENERAL TOLERANCES (UNLESS SPECIFIED) | | DIMENSION STYLE MM ONLY | | SCALE --- | DESIGN UNITS METRIC | THIRD ANGLE PROJECTION |
| | 10 UNDER | ±0.2 | DRAWN BY M.UMEDA | DATE 2005/02/17 | TITLE 1.25 W/B CONN. WAFER ASS'Y FOR SMT ST. -LEAD FREE- | | |
| | 10 OVER 30 UNDER | ±0.25 | CHECKED BY K. TOYODA | DATE 2005/02/17 | MOLEX INCORPORATED | | |
| | 30 OVER | ±0.3 | APPROVED BY N. UKITA | DATE 2005/02/17 | DOCUMENT NO. SD-53398-038 | | |
| | ANGULAR ±3 ° | DRAFT WHERE APPLICABLE MUST REMAIN WITHIN DIMENSIONS | | MATERIAL NO. SEE CHART | | SHEET NO. 1 OF 1 | |
| | | THIS DRAWING CONTAINS INFORMATION THAT IS PROPRIETARY TO MOLEX INCORPORATED AND SHOULD NOT BE USED WITHOUT WRITTEN PERMISSION | | | | | |



DETAIL "F"



16幅テープ
(TAPE WIDTH:16)

NOTES

- 梱包数量：1000個/リール
NUMBER OF CONNECTOR:1000PCS/REEL
- リードテープ長さ
LEAD TAPE LENGTH
- トップテープの剥離強度：0.6±0.35N(60±35gf) (剥離方向は下図参照)
PEELING OFF FORCE OF TOP TAPE:0.6±0.35N(60±35gf)
(PEELING DIRECTION IS SHOWN IN FOLLOWING FIG.)
 <剥離速度：300mm/min (参考)>
PEELING SPEED:300mm/min (REFERENCE)
- 製品詳細寸法は製品単体図面を参照して下さい。
For detail of connector dimensions, please see the drawing of connector itself (not packaged).
- 材料 (MATERIAL)
キャリアテープ (CARRIER TAPE):ポリプロピレン (POLYPROPYLENE)
トップテープ (TOP TAPE): PET ,PE ,PEF
リール (REEL):ポリスチレン (P S) <リサイクル材含む>
POLYSTYREN (PS) <RECYCLE MATERIAL CONTAINED>
- 本製品は乾燥剤入り、ハイバリア梱包仕様である。
THIS PRODUCT IS HIGH BARRIER PACKAGE WITH DESICCANT.

| | | | | | | | |
|--------------------------------|------|-------------|-------------|-------------|---------------------------------------------------------|--------------------------------------|------------|
| 16 | 17.4 | 3.7 2.45 | 9.5 8.25 | 5.8 4.55 | 53398-035* | 53398-037* | 3 |
| | | | | | 53398-025* | 53398-027* | 2 |
| キャリアテープ幅 CARRIER TAPE WIDTH | D | (C) | (B) | (A) | MATERIAL NO. MODEL NO. 53398-xx5* | MATERIAL NO. MODEL NO. 53398-xx7* | 極致 CKT. |
| | | | | | COLOR 3:黄 YELLOW 4:青(紫) BLUE(PURPLE) 6:緑 GREEN | COLOR 6:黒 BLACK 7:赤 RED | |

| | | | | | | |
|---------------------------------------------------------------------------------------------------------------|------------------------------------------|------------------------------------------------------------|----------------------------|----------------------------------------------------------------------------------------------------------------------------------|------------------------------------------------------------------|---------------------------|
| REVISED EC NO.: J2009-2060 DRWN:TKON 2009/05/20 CHKD:HMATSUMOTO 2009/05/21 APPR:NUKITA 2009/05/21 | GENERAL TOLERANCES (UNLESS SPECIFIED) | | DIMENSION STYLE MM ONLY | SCALE --- | DESIGN UNITS METRIC | THIRD ANGLE PROJECTION |
| | 10 UNDER | ±0.2 | DRAWN BY M.UMEDA | DATE 2005/02/18 | TITLE 1.25 W/B CONN. WAFER ASSY EMBSTP PKG. -LEAD FREE- | |
| | 10 OVER 30 UNDER | ±0.25 | CHECKED BY K.TOYODA | DATE 2005/02/18 | MOLEX INCORPORATED | |
| | 30 OVER | ±0.3 | APPROVED BY N.UKITA | DATE 2005/02/18 | DOCUMENT NO. SD-53398-039 | SHEET NO. 1 OF 3 |
| | ANGULAR ±3 ° | DRAFT WHERE APPLICABLE MUST REMAIN WITHIN DIMENSIONS | MATERIAL NO. SEE TABLE | THIS DRAWING CONTAINS INFORMATION THAT IS PROPRIETARY TO MOLEX INCORPORATED AND SHOULD NOT BE USED WITHOUT WRITTEN PERMISSION | | |

F

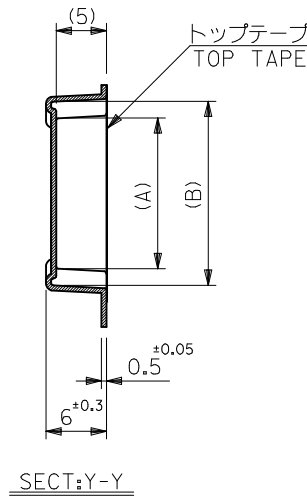
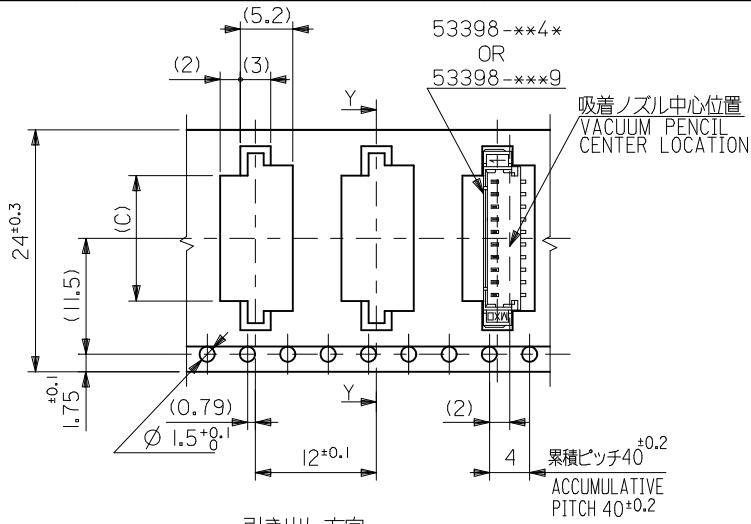
E

D

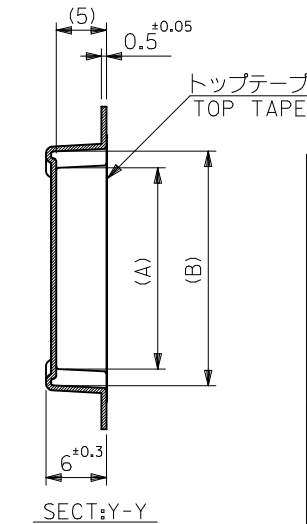
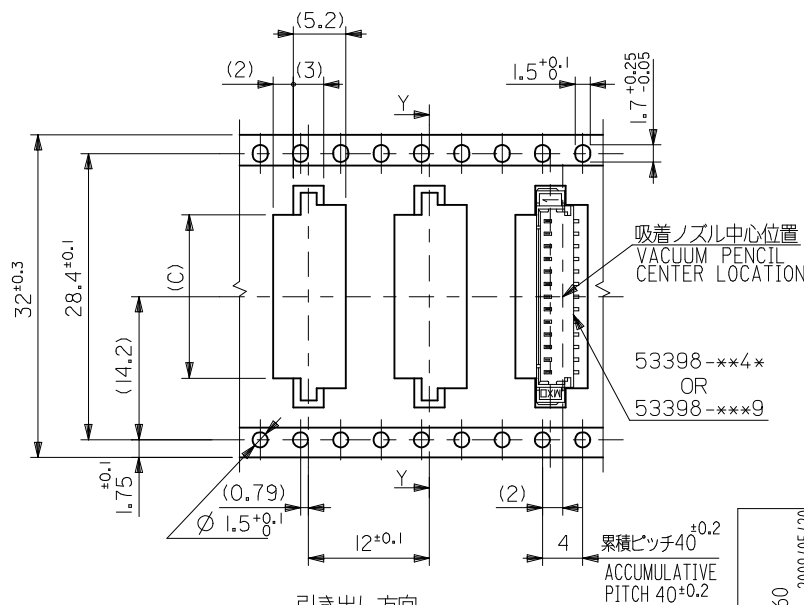
C

B

A



引き出し方向
PULL OUT DIRECTION
24幅テープ
(TAPE WIDTH:24)



引き出し方向
PULL OUT DIRECTION
32幅テープ
(TAPE WIDTH:32)

| | | | | | | | |
|--------------------------------|---------------------------------------------------|-------|------------------------|-------|-------------------------|-------------------------|------------|
| 32 | 33.4 | 16.2 | 22 | 18.3 | 53398-135* | 53398-137* | 13 |
| | | 14.95 | 20.75 | 17.05 | -125* | -127* | 12 |
| 24 | 25.4 | 13.7 | 19.5 | 15.8 | -115* | -117* | 11 |
| | | 12.45 | 18.25 | 14.55 | -105* | -107* | 10 |
| | | 11.2 | 17 | 13.3 | -095* | -097* | 9 |
| | | 9.95 | 15.75 | 12.05 | -085* | -087* | 8 |
| | | 8.7 | 14.5 | 10.8 | -075* | -077* | 7 |
| | | 7.45 | 13.25 | 9.55 | -065* | -067* | 6 |
| | | 6.2 | 12 | 8.3 | -055* | -057* | 5 |
| | | 4.95 | 10.75 | 7.05 | -045* | -047* | 4 |
| キャリアテープ幅 CARRIER TAPE WIDTH | D | (C) | (B) | (A) | MATERIAL NO. 53398-045* | MATERIAL NO. 53398-047* | 種数 CKT. |
| COLOR | 3: 黄 YELLOW 4: 青(紫) BLUE(PURPLE) 6: 緑 GREEN | | 6: 黒 BLACK 7: 赤 RED | | | | |

| | | | | | | | |
|-------------------------------------------------------------------------------------------------------------|---------------------------------------|--------------|----------------------------|--------------------|-------------------------------------------------------------------------------------------------------------------------------|------------------------|------------------------|
| REVISED EC NO: J2009-2060 DRWN:TKON 2009/05/20 CHKD:HATSUMOTO 2009/05/21 APPR:NUKITA 2009/05/21 | GENERAL TOLERANCES (UNLESS SPECIFIED) | | DIMENSION STYLE MM ONLY | | SCALE --- | DESIGN UNITS METRIC | THIRD ANGLE PROJECTION |
| | 10 UNDER | ±0.2 | DRAWN BY M.UMEDA | DATE 2005/02/18 | TITLE 1.25 W/B CONN. WAFER ASSY EMBSTP PKG. -LEAD FREE- | | |
| | 10 OVER 30 UNDER | ±0.25 | CHECKED BY K.TOYODA | DATE 2005/02/18 | MOLEX INCORPORATED | | |
| | 30 OVER | ±0.3 | APPROVED BY N.UKITA | DATE 2005/02/18 | DOCUMENT NO. SD-53398-039 | SHEET NO. 2 OF 3 | |
| REV | DESCRIPTION | ANGULAR ±3 ° | MATERIAL NO. SEE TABLE | | THIS DRAWING CONTAINS INFORMATION THAT IS PROPRIETARY TO MOLEX INCORPORATED AND SHOULD NOT BE USED WITHOUT WRITTEN PERMISSION | | |
| DRAFT WHERE APPLICABLE MUST REMAIN WITHIN DIMENSIONS | | | | | | | |

