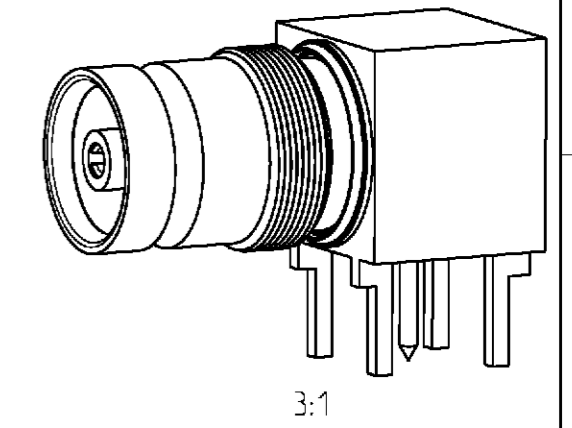
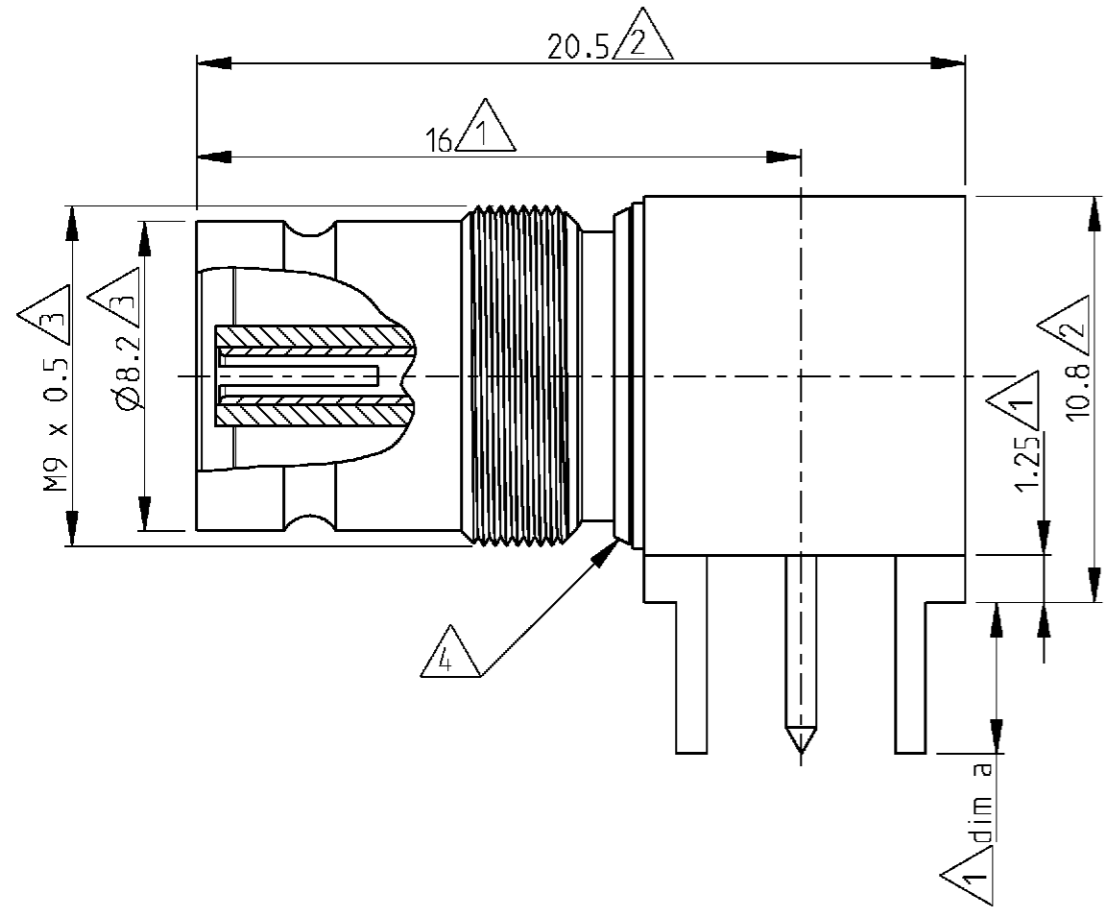
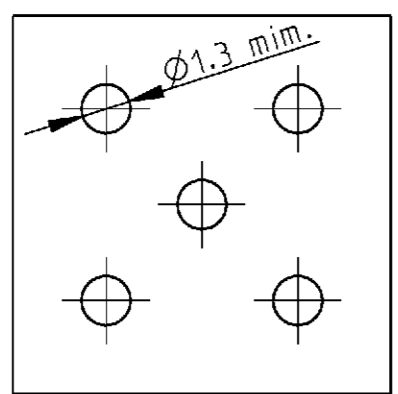


THIS DRAWING IS UNPUBLISHED. RELEASED FOR PUBLICATION 2000
 © COPYRIGHT 2000 BY TYCO ELECTRONICS CORPORATION. ALL RIGHTS RESERVED.

LOC	DIST	REVISIONS				
P	LTR	DESCRIPTION	DATE	DWN	APVD	
GW	-	A	-	05APR2001	BL	KM
		A1	REVISED PER ECO-09-026495	NOV09	KK	AEG



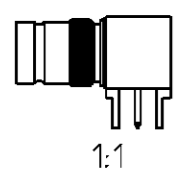
Recommended PCB layout.
Pitch 2.54



OBSOLETE
5

Old part number	Tyco part number	Description	Material	Plating	Dim a
V23612-A1227-A2	2-1393681-2	Outer conductor	Brass	1 µm Au min in contact area	3.3
		Center conductor	CuBe	1 µm Au min in contact area	
		Dielectric	PEEK	-	
V23612-A1227-A1	2-1393681-1	Outer conductor	Brass	1 µm Au min in contact area	4.1
		Center conductor	CuBe	1 µm Au min in contact area	
		Dielectric	PEEK	-	
V23612-A1227-A5	5-1393682-5	Outer conductor	Brass	1 µm Au min in contact area	3.3
		Center conductor	CuBe	1 µm Au min in contact area	
		Dielectric	PEEK	-	

- 5 OBSOLETE PARTS: OBSOLETE CIS STREAMLINING PER D.RENAUD/D.SINISI
- 4 Soldered : retention torque 5 Nm min. tested according to CECC 22240.
- 3 Mating according to DIN 47295/CECC 22240.
- 2 Maximum dimensions.
- 1 Installation dimensions.



<small>THIS DRAWING IS A CONTROLLED DOCUMENT FOR TYCO ELECTRONICS CORPORATION. IT IS SUBJECT TO CHANGE AND THE CONTROLLING ENGINEERING ORGANIZATION SHOULD BE CONTACTED FOR THE LATEST REVISION.</small>		DWN 08MAR2001 B. Lenvain		Tyco Electronics Oostkamp - Belgium	
DIMENSIONS: mm		TOLERANCES UNLESS OTHERWISE SPECIFIED:		NAME Right angle bulkhead jack 75 ohm 1.6/5.6 with PCB connection	
		0 PLC ± 1 PLC ± 2 PLC ± 3 PLC ± 4 PLC ± ANGLES ±		PRODUCT SPEC APPLICATION SPEC WEIGHT -	
MATERIAL -		FINISH -		SIZE A3 CAGE CODE 00779 DRAWING NO. ©-2-1393681-1 RESTRICTED TO -	
CUSTOMER DRAWING				SCALE 5/1 SHEET 1 OF 1 REV A1	