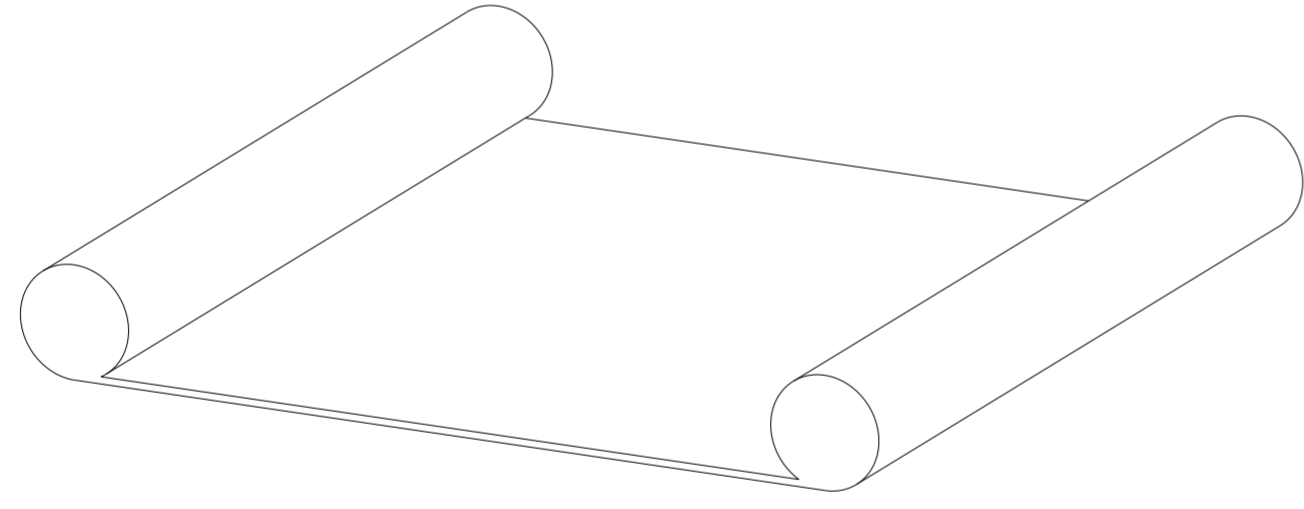
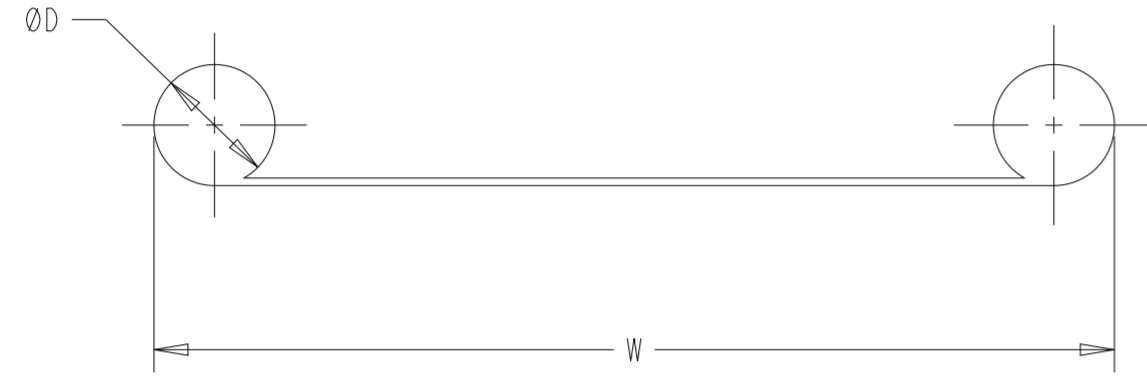


REVISIONS

P	LTR	DESCRIPTION	DATE	DWN	APVD
	A	NEW DRAWING	01AUG2022	BDA	DH



ISOMETRIC VIEW (NTS)

6.4	25.4	25000	154-0064-0254	TIN PLATED COPPER CLAD STEEL (TCS)	2423863-1
4.8	25.4	25000	154-0048-0254	TIN PLATED COPPER CLAD STEEL (TCS)	2423862-1
3.2	25.4	25000	154-0032-0254	TIN PLATED COPPER CLAD STEEL (TCS)	2423861-1
6.4	25.4	25000	152-0064-0254	MONEL ALLOY 400 WIRE (MON)	2423860-1
4.8	25.4	25000	152-0048-0254	MONEL ALLOY 400 WIRE (MON)	2423859-1
3.2	25.4	25000	152-0032-0254	MONEL ALLOY 400 WIRE (MON)	2423858-1
6.4	25.4	250	154-0064-0254-S	TIN PLATED COPPER CLAD STEEL (TCS)	2423808-1
4.8	25.4	250	154-0048-0254-S	TIN PLATED COPPER CLAD STEEL (TCS)	2423806-1
3.2	25.4	250	154-0032-0254-S	TIN PLATED COPPER CLAD STEEL (TCS)	2423805-1
6.4	25.4	250	152-0064-0254-S	MONEL ALLOY 400 WIRE (MON)	2423804-1
4.8	25.4	250	152-0048-0254-S	MONEL ALLOY 400 WIRE (MON)	2423803-1
3.2	25.4	250	152-0032-0254-S	MONEL ALLOY 400 WIRE (MON)	2423802-1
ØD±0.8	W±1.5	L	ALIAS PART NUMBER	MATERIAL	PART NUMBER

THIS DRAWING IS A CONTROLLED DOCUMENT.

DWN BASAVARAJA D A 01AUG2022	TE Connectivity
CHK B SELVAPANDIAN 01AUG2022	
APVD D HEMMINGS 01AUG2022	
PRODUCT SPEC	
APPLICATION SPEC	NAME 15X-TWIN ROUND WITH FIN SOLID KNITTED WIRE MESH
WEIGHT	SIZE A2
CUSTOMER DRAWING	CAGE CODE 00779
	DRAWING NO TWIN-ROUND-FIN-SKW-MSH
	RESTRICTED TO
	SCALE 5:1
	SHEET 1 OF 1
	REV A

DIMENSIONS: mm	TOLERANCES UNLESS OTHERWISE SPECIFIED:
0 PLC	±
1 PLC	±
2 PLC	±
3 PLC	±
4 PLC	±
ANGLES	±
FINISH	-

MATERIAL SEE TABLE