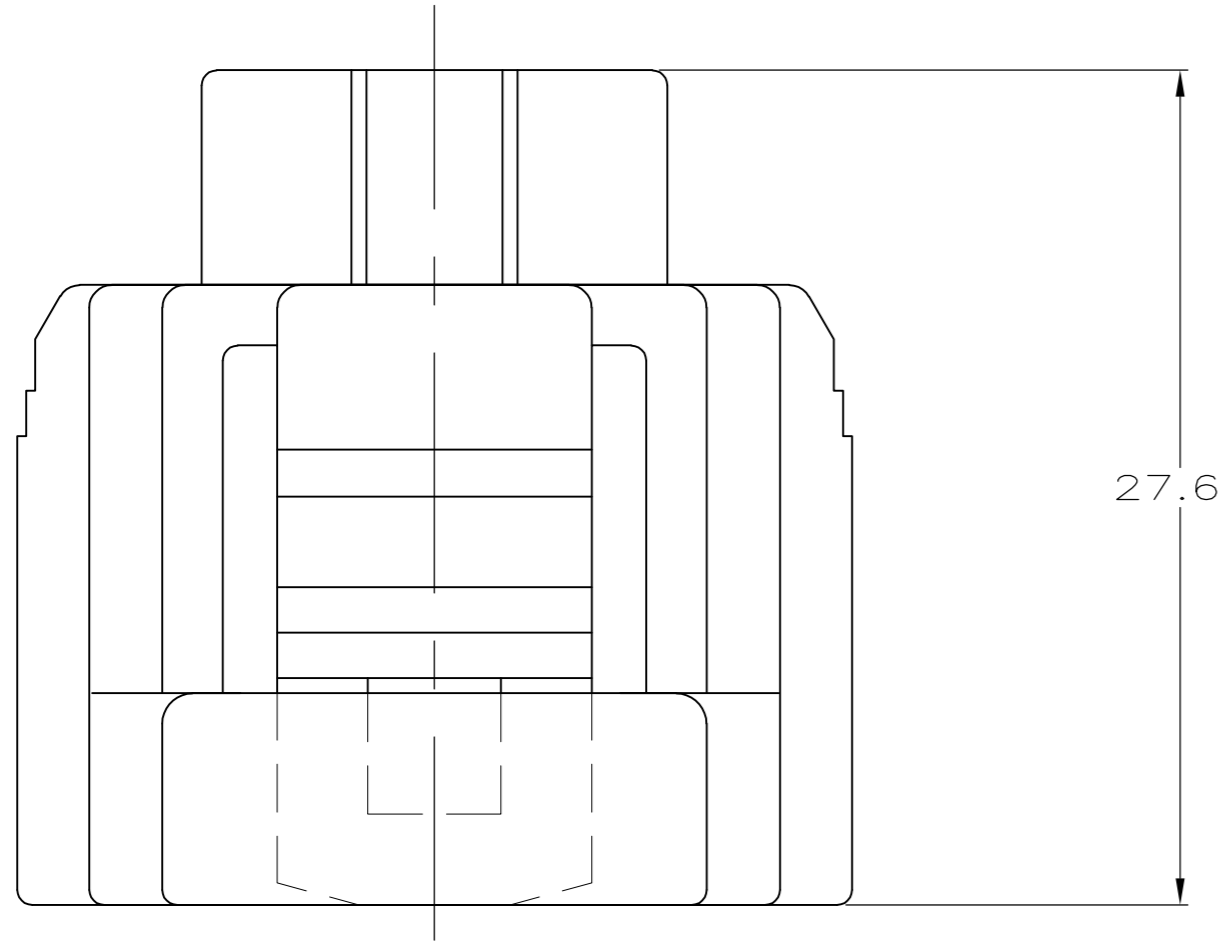
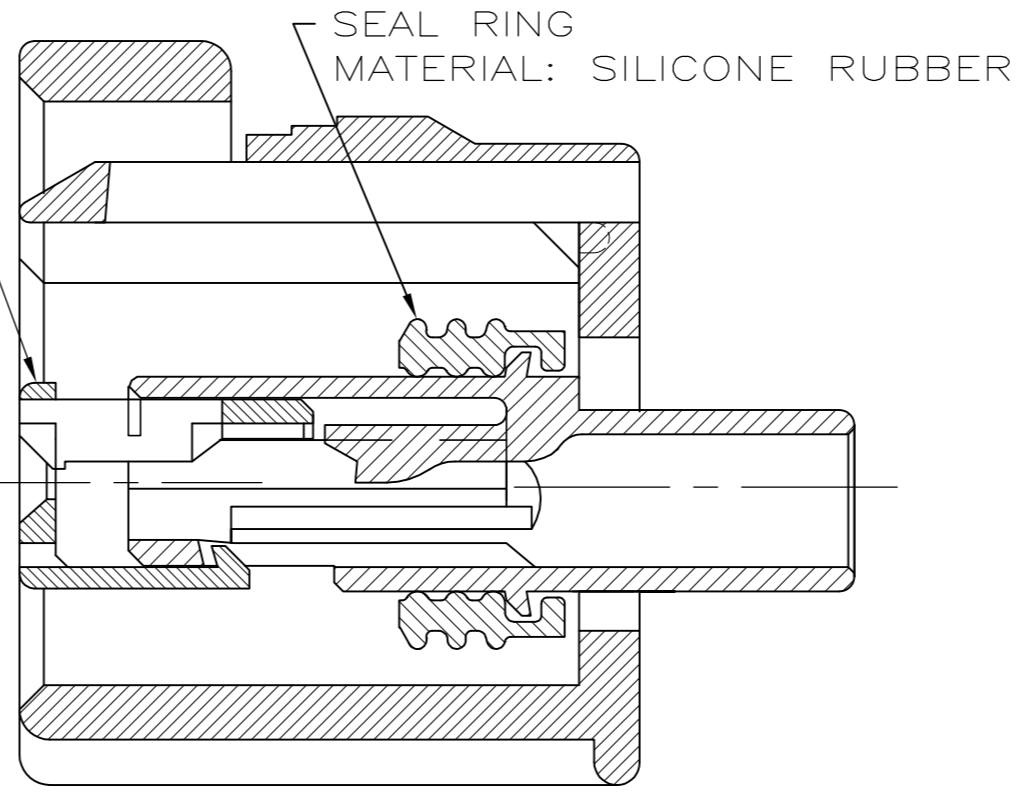


THIS DRAWING IS UNPUBLISHED. RELEASED FOR PUBLICATION
 © COPYRIGHT - By - ALL RIGHTS RESERVED.

LOC	DIST	REVISIONS			
P	LTR	DESCRIPTION	DATE	DWN	APVD
GE	00	E1	REVISED PER ECO-11-005030	11MAR11	RK HMR

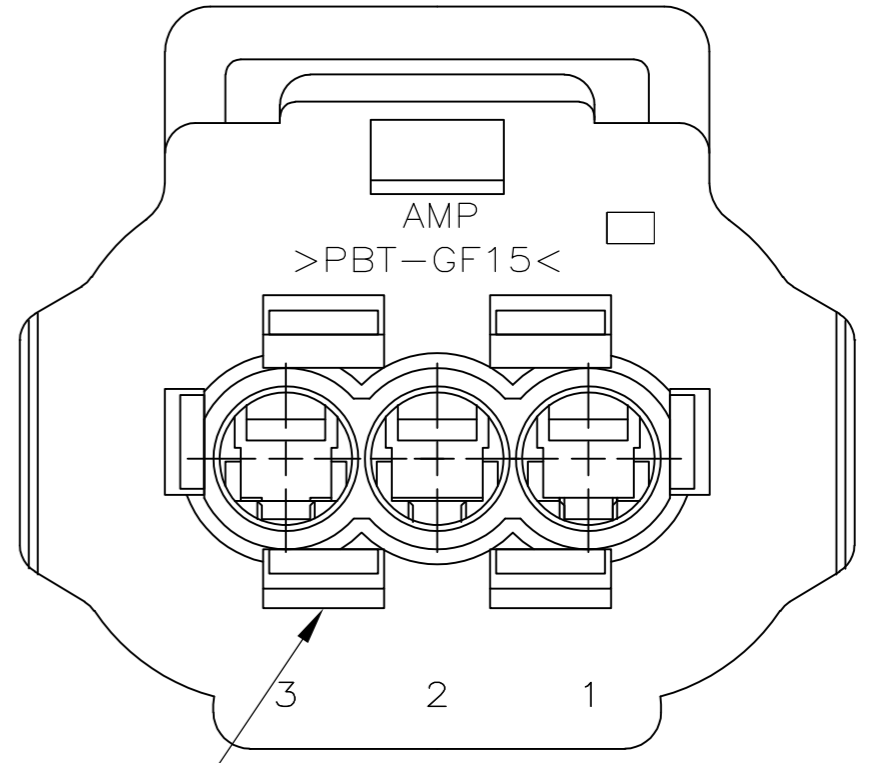


3 POSN. DOUBLE LOCK PLATE
 MATERIAL: PBT, 15% GLASS FILLED

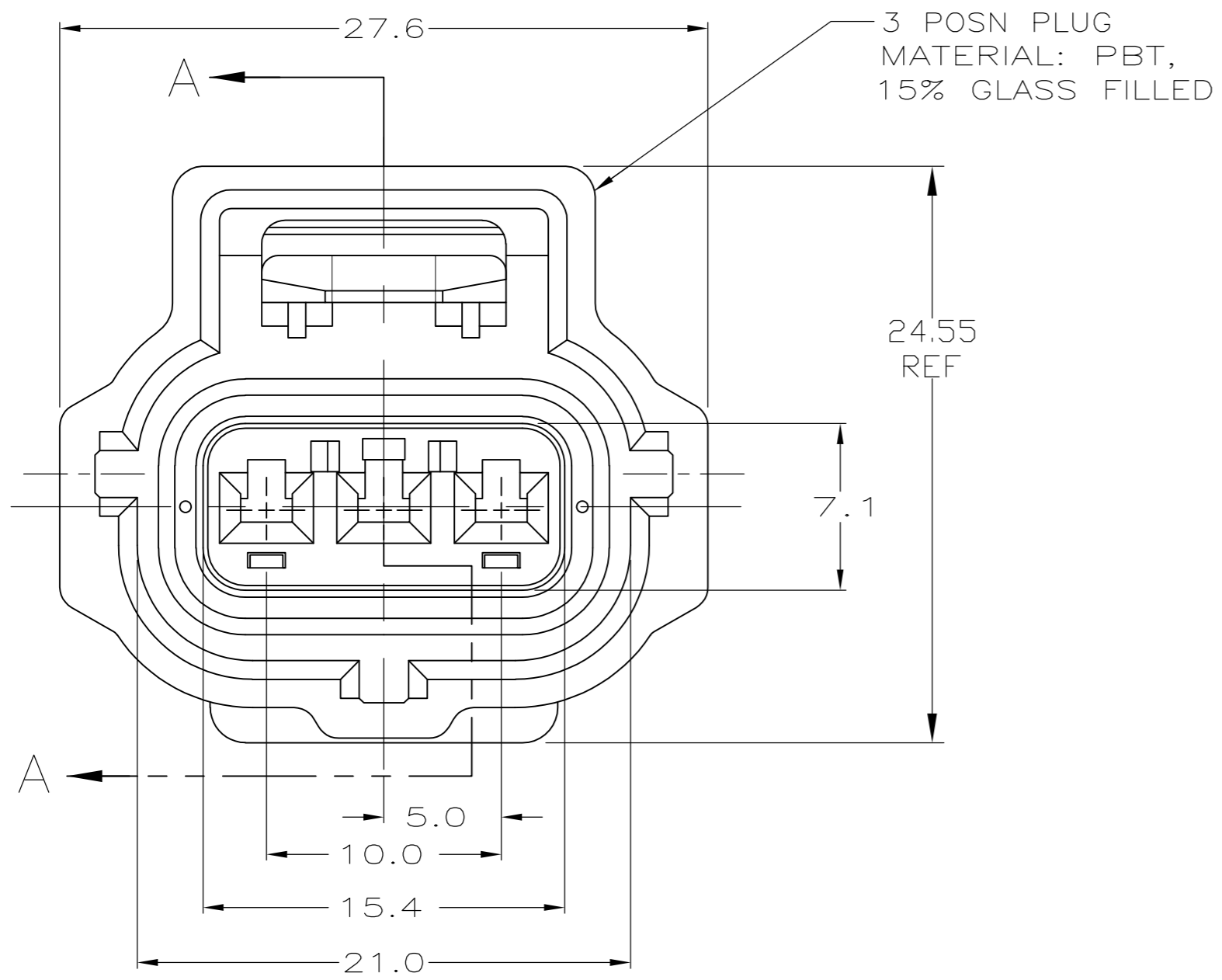


SEAL RING
 MATERIAL: SILICONE RUBBER

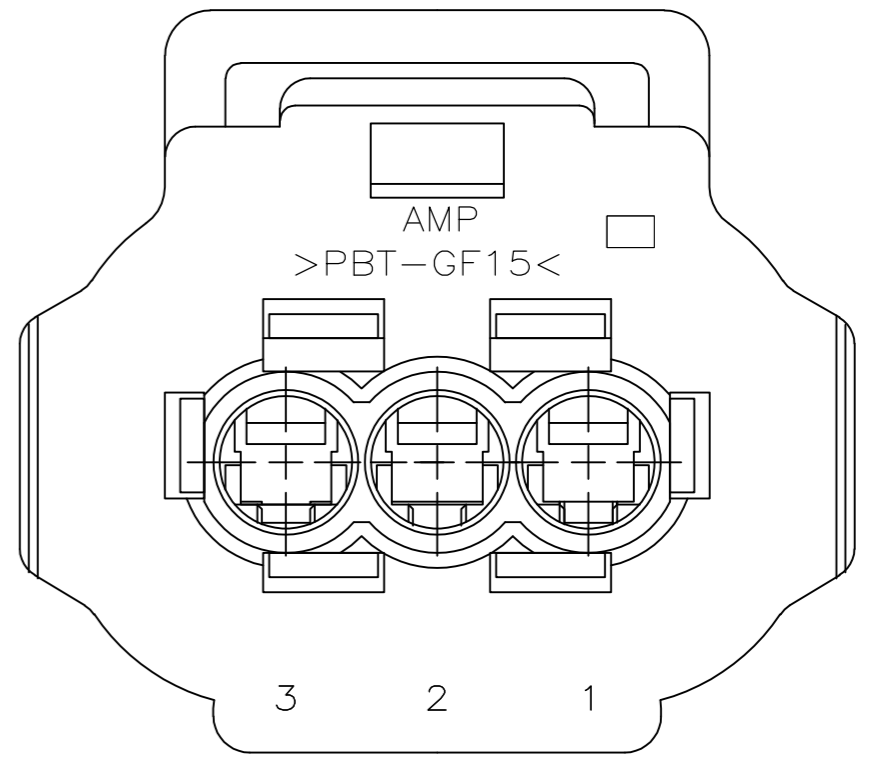
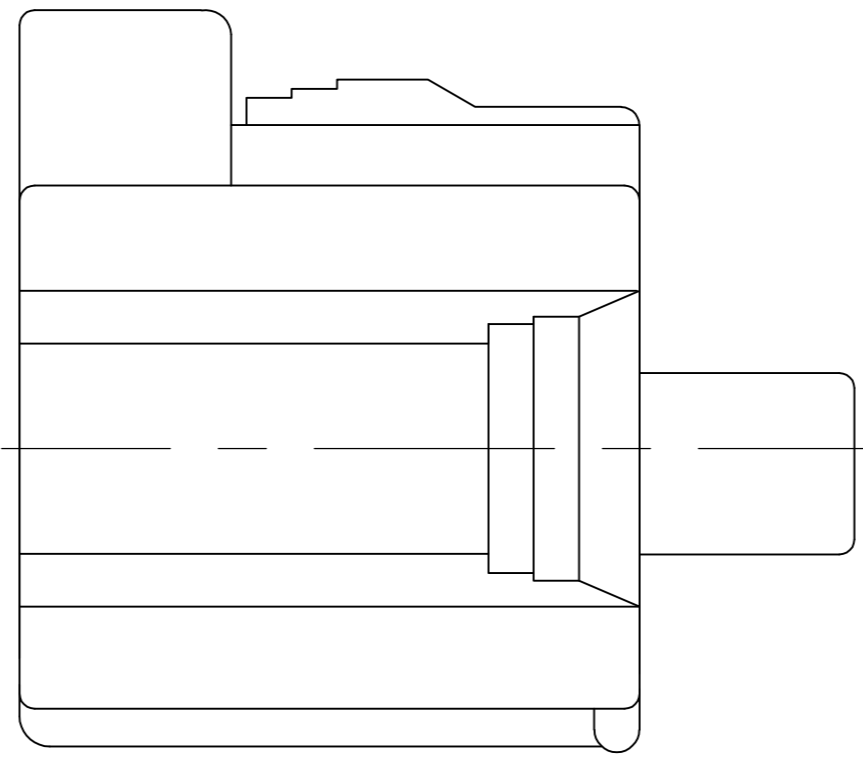
SECTION A-A



OPTIONAL CORING
 2 PLACES



3 POSN. PLUG
 MATERIAL: PBT,
 15% GLASS FILLED



184032

B

A

184032-1
 PART NO

THIS DRAWING IS A CONTROLLED DOCUMENT.		DWN	KD LYTL	12/8/94	 TE Connectivity
DIMENSIONS: mm		CHK	JP KUNKLE	12/9/94	
TOLERANCES UNLESS OTHERWISE SPECIFIED:		APVD	JP KUNKLE	12/9/94	
0 PLC ± - 1 PLC ± 0.3 2 PLC ± 0.3 3 PLC ± - 4 PLC ± - ANGLES ±1° -		PRODUCT SPEC	NAME		
MATERIAL AS NOTED		FINISH	-		APPLICATION SPEC WEIGHT SCALE 4:1
AS NOTED		CUSTOMER DRAWING		SIZE A2	CAGE CODE 00779 DRAWING NO C=184032 SHEET 1 of 1 REV E1