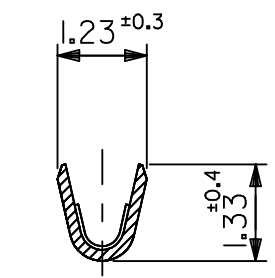
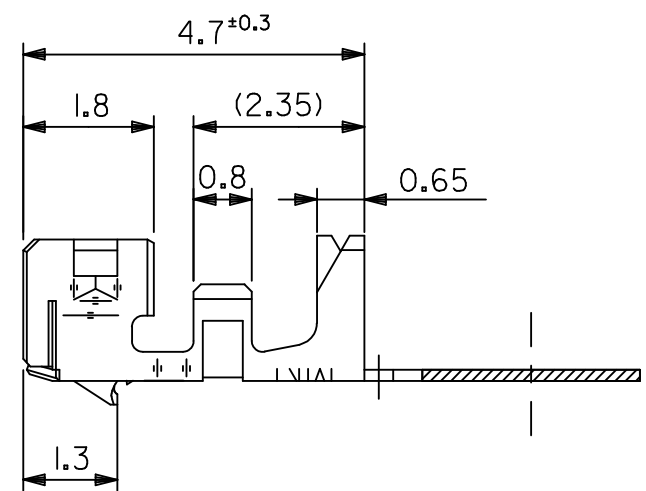
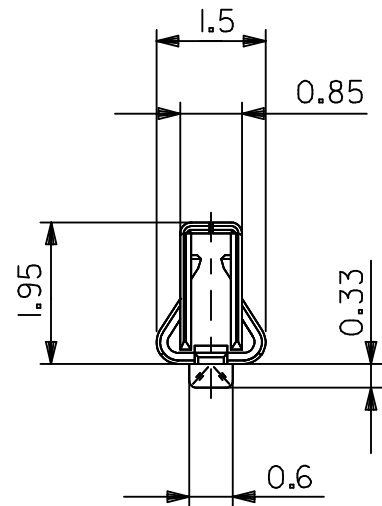
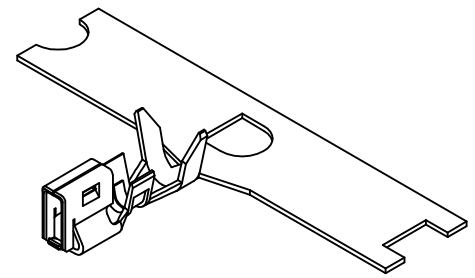
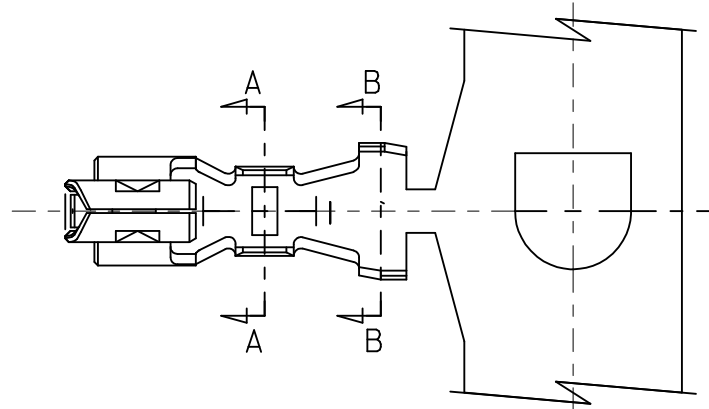
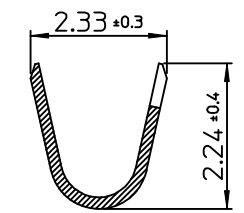


NOTES.

- 1. MATERIAL : PHOSPHOR BRONZE
- 2. FINISH : TIN PLATED.
- 3. MATED PART : 87369-\*\*\*0\*, 35507-\*\*\*0\*
- 4. PRODUCT SPECIFICATION : PS-104440-001
- 5. PACKAGING SPECIFICATION : PK-104440-001



SECT. A-A



SECT. B-B

TABLE

104440-8041	1044408041
Eng.No	Order No.

NEW RELEASED EC NO: KOR2009-0031 DRWN:SKHAN01 2008/09/17 CHKD:WY YANG 2008/09/17 APPR:YUNSIKKIM 2008/09/17	QUALITY SYMBOLS	GENERAL TOLERANCES (UNLESS SPECIFIED)	DIMENSION STYLE	SCALE	DESIGN UNITS	THIRD ANGLE PROJECTION
	▽=0 ∇=0	mm INCH 4 PLACES ± --- ± --- 3 PLACES ± --- ± --- 2 PLACES ± 0.3 ± --- 1 PLACE ± 0.3 ± --- ANGULAR ± 1 °	MM ONLY	---	METRIC	☉ □ THIRD ANGLE PROJECTION
	DESCRIPTION	DRAFT WHERE APPLICABLE MUST REMAIN WITHIN DIMENSIONS	DRAWN BY SK.HAN CHECKED BY WY.YANG APPROVED BY EH.JUNG DATE 2008/09/17 DATE 2008/09/17 DATE 2008/09/17	TITLE	2.0MM REC'S TERMINAL FOR 1.45 OD CABLE	
	REV	SIZE A3	SEE TABLE	MATERIAL NO.	DOCUMENT NO.	SHEET NO.



MOLEX INCORPORATED

SD-104440-001

1 OF 01

THIS DRAWING CONTAINS INFORMATION THAT IS PROPRIETARY TO MOLEX INCORPORATED AND SHOULD NOT BE USED WITHOUT WRITTEN PERMISSION