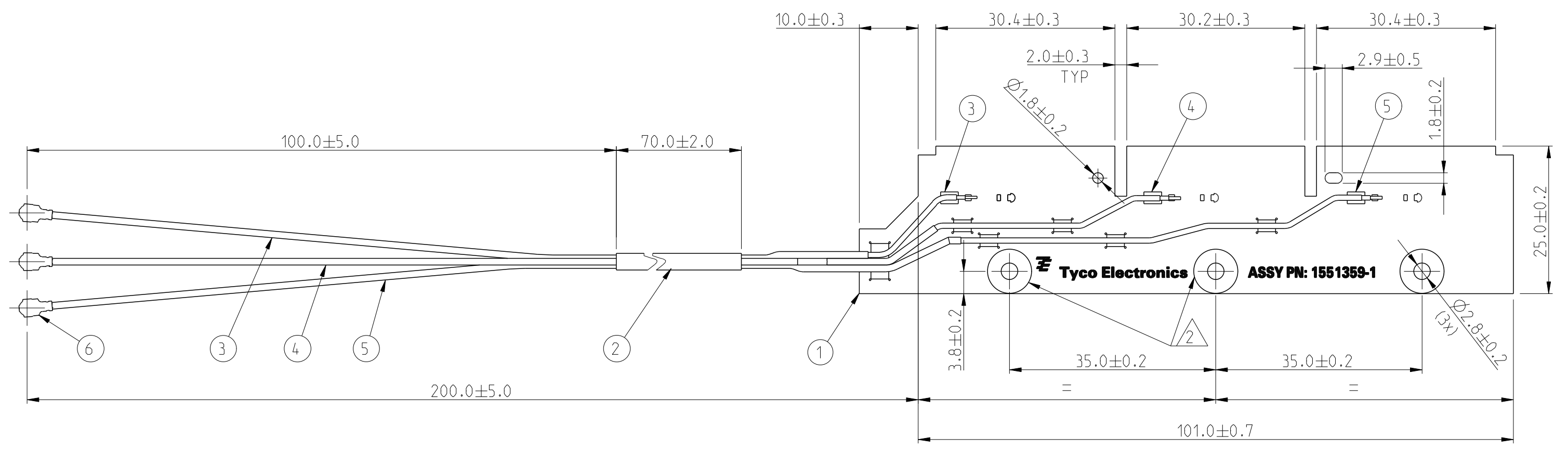


THIS DRAWING IS UNPUBLISHED. RELEASED FOR PUBLICATION 2009
 © COPYRIGHT 2009 BY TYCO ELECTRONICS CORPORATION. ALL RIGHTS RESERVED.

LOC	DIST	REVISIONS				
P	LTR	DESCRIPTION	DATE	DWN	APVD	
H	-	A1	Dimension changed from 10.5 to 10.0mm	21MAY2010	SM	RL



PN 1551359-1 AS SHOWN

NOTES:

1. PCB MATERIAL: GETEK

△ CABLE NOT ALLOWED TO BE INSIDE THE CIRCULAR AREA

ITEM NO	DESCRIPTION	QTY
6	I-PEX CONNECTOR	3
5	Ø1.13mm GREY CABLE	1
4	Ø1.13mm WHITE CABLE	1
3	Ø1.13mm BLACK CABLE	1
2	H.S.TUBE TYPE 3.0 ECUMENIC BLACK	1
1	PCB	1

<small>THIS DRAWING IS A CONTROLLED DOCUMENT FOR TYCO ELECTRONICS CORPORATION IT IS SUBJECT TO CHANGE AND THE CONTROLLING ENGINEERING ORGANIZATION SHOULD BE CONTACTED FOR THE LATEST REVISION.</small>		DWN SUBHASH.M 28-AUG-09 CHK R.LOKKER 28-AUG-09 APVD Y. BRAEMS - PRODUCT SPEC - APPLICATION SPEC - WEIGHT -	Tyco Electronics Tyco Electronics Corporation 's-Hertogenbosch, Nederland NAME 2x 3 MIMO ANTENNA ASSEMBLY (5GHz)
DIMENSIONS: mm 	TOLERANCES UNLESS OTHERWISE SPECIFIED: 0 PLC ±0.2 1 PLC ±0.1 2 PLC ±0.05 3 PLC ±0.025 4 PLC ±0.005 ANGLES ±2°	MATERIAL - FINISH - CUSTOMER DRAWING	SIZE A3 CAGE CODE 00779 DRAWING NO © 1551359 RESTRICTED TO - SCALE NTS SHEET 1 OF 1 REV A1