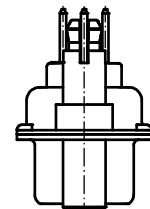
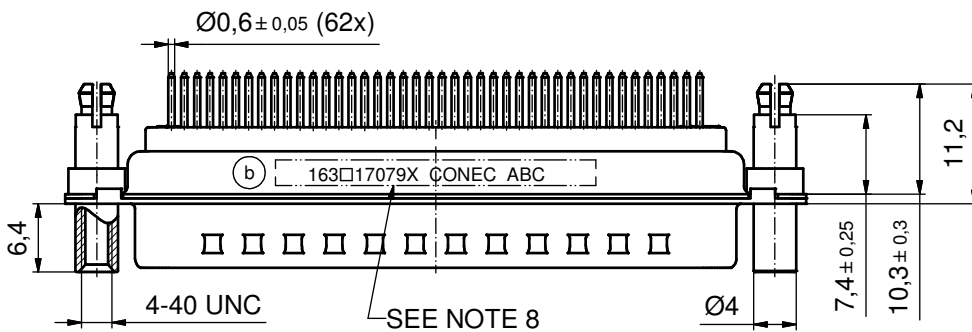
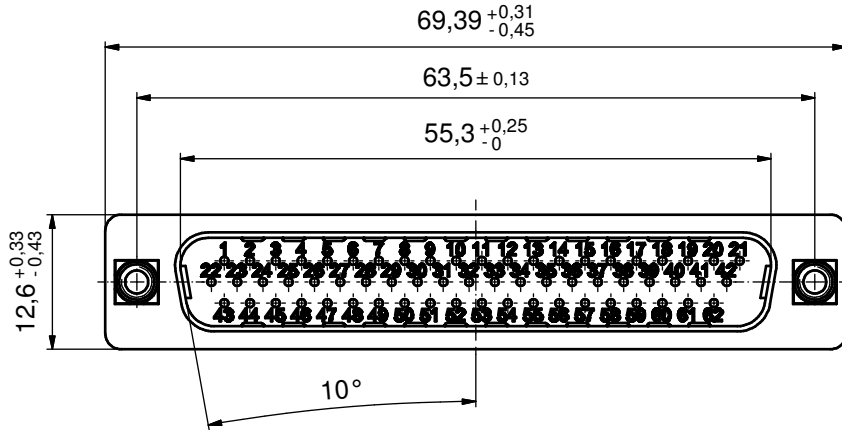
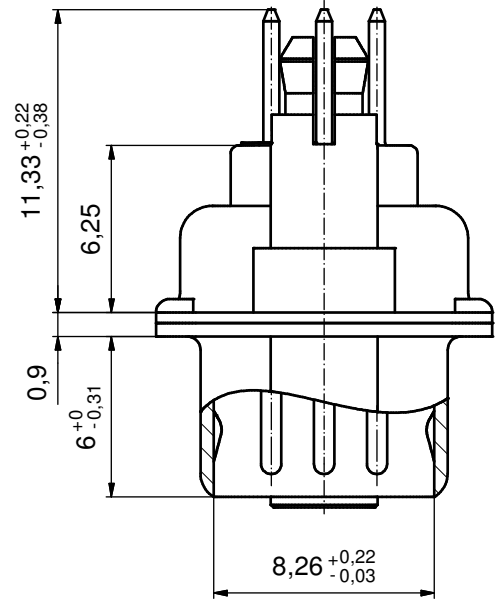


(5:1)



NOTES:

1. METALSHELLS: STEEL; min. 315µin TIN over 40-80µin NICKEL
2. INSULATORS: PBT GF UL 94 V-0, BLACK
3. CONTACTS: COPPER ALLOY; PLATING (SEE PART NO.):
 - PLEASE ADD A for GOLD FLASH over NICKEL (PREFERRED TYPE)
 - PLEASE ADD B for 20µin HARD GOLD over min. 50µin NICKEL
 - PLEASE ADD C for 30µin HARD GOLD over min. 50µin NICKEL
4. THREADED LOCK AND SPACER CLIPS:
 - COPPER ALLOY; min. 200µin TIN over 80µin NICKEL
 - PCB-HOLE: $\varnothing 3,1 \pm 0,1$; PCB THICKNESS 1,6mm
5. COLLARS: COPPER ALLOY; min. 200µin TIN over 80µin NICKEL
6. P.C.B. HOLE DRILLINGS ON SHEET 2
7. MAXIMUM TORQUE VALUE FOR THREAD: 6 in.LB
8. CONNECTOR IS PART MARKED: 163□17079X CONEC ABC (see note 3)

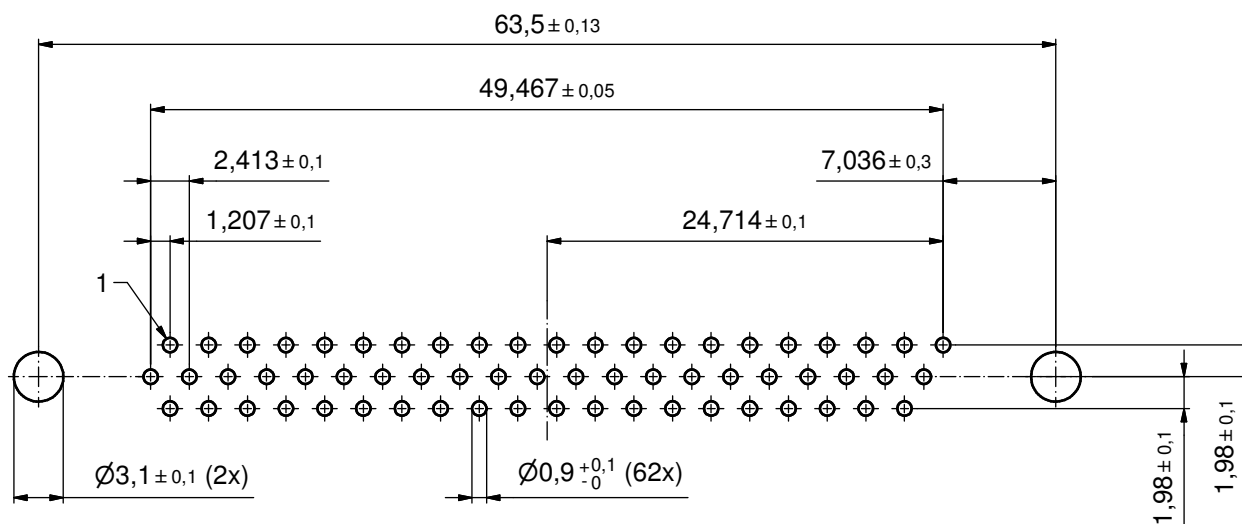
Directive 2002/95/EC RoHS compliant

THIS DRAWING MAY NOT BE COPIED OR REPRODUCED IN ANY WAY, AND MAY NOT BE PASSED ON TO A THIRD PARTY WITHOUT WRITTEN PERMISSION. OWNERSHIP AND COPYRIGHT OF CONEC GmbH DO NOT ALTER CAD DRAWING BY HAND	tolerance		dim. in mm		scale: 2:1 (5:1)
	date		name		material: see notes
	drawn	03.01.14	Henneboel		title: D-SUB HD MALE 62pos. SOLDER PIN STRAIGHT with threaded lock and spacer clip
	appd.	06.01.14	Lehmenkühler		
	norm				
d-old	16K1A1785			dwg no:	DIN-A3
3 x b	Ä5034	03.01.2014	K.H.	16K1A3369	
a	Original			sh: 1/2	
rev.	description	date	name	part no: (b) 163□17079X (see note 3)	



P.C.B. HOLE DRILLINGS

(P.C.B. TOP SIDE)



THIS DRAWING MAY NOT BE COPIED OR REPRODUCED IN ANY WAY, AND MAY NOT BE PASSED ON TO A THIRD PARTY WITHOUT WRITTEN PERMISSION. OWNERSHIP AND COPYRIGHT OF CONEC GmbH DO NOT ALTER CAD DRAWING BY HAND				tolerance		scale: 3:1
				date	name	material: see sheet 1
				drawn	03.01.14 Henneboel	title: P.C.B. HOLE DRILLINGS D-SUB HD MALE 62pos. with threaded lock and spacer clip
				appd.	06.01.14 Lehmenkühler	
				norm		
			d-old		dwg no:	
rev.	description	date	name	CONEC [®]		16K1A3369
a	Original					DIN-A3
part no: SEE SHEET 1						sh: 2/2