



Adapter (plastic) between enclosure top and base for installation of two-pole or two single-pole stacked contact modules with front plate mounting

product brand name	SIRIUS ACT
product designation	Adapter
design of the product	between enclosure upper part and bottom part
product type designation	3SU1

Installation/ mounting/ dimensions	
height	22.5 mm

Accessories	
material of accessory	Plastic
color of accessory	black

Certificates/ approvals	
General Product Approval	Declaration of Conformity



[Miscellaneous](#)



[Miscellaneous](#)

Test Certificates	Marine / Shipping
-------------------	-------------------

[Type Test Certificates/Test Report](#)



other
-------

[Confirmation](#)

Further information
---------------------

Information- and Downloadcenter (Catalogs, Brochures,...)

<https://www.siemens.com/ic10>

Industry Mall (Online ordering system)

<https://mall.industry.siemens.com/mall/en/en/Catalog/product?mfb=3SU1900-0JF10-0AA0>

Cax online generator

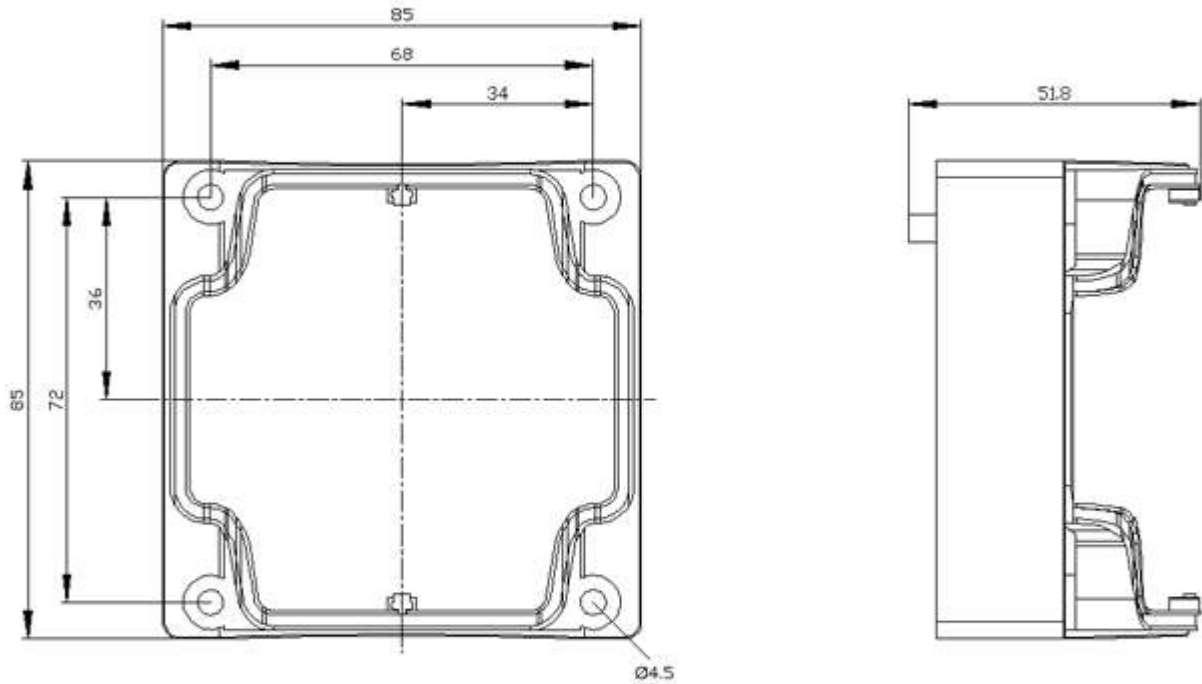
<http://support.automation.siemens.com/WW/CAXorder/default.aspx?lang=en&mlfb=3SU1900-0JF10-0AA0>

Service&Support (Manuals, Certificates, Characteristics, FAQs,...)

<https://support.industry.siemens.com/cs/ww/en/ps/3SU1900-0JF10-0AA0>

Image database (product images, 2D dimension drawings, 3D models, device circuit diagrams, EPLAN macros, ...)

[http://www.automation.siemens.com/bilddb/cax\\_de.aspx?mlfb=3SU1900-0JF10-0AA0&lang=en](http://www.automation.siemens.com/bilddb/cax_de.aspx?mlfb=3SU1900-0JF10-0AA0&lang=en)



last modified:

12/21/2020 