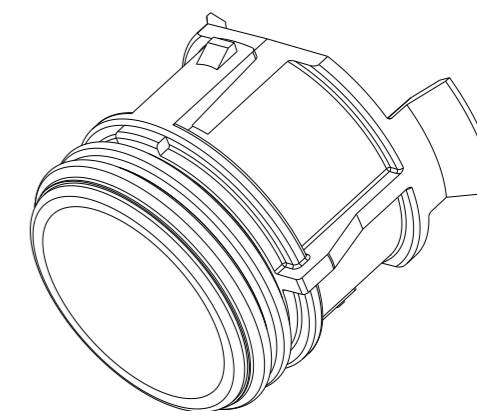
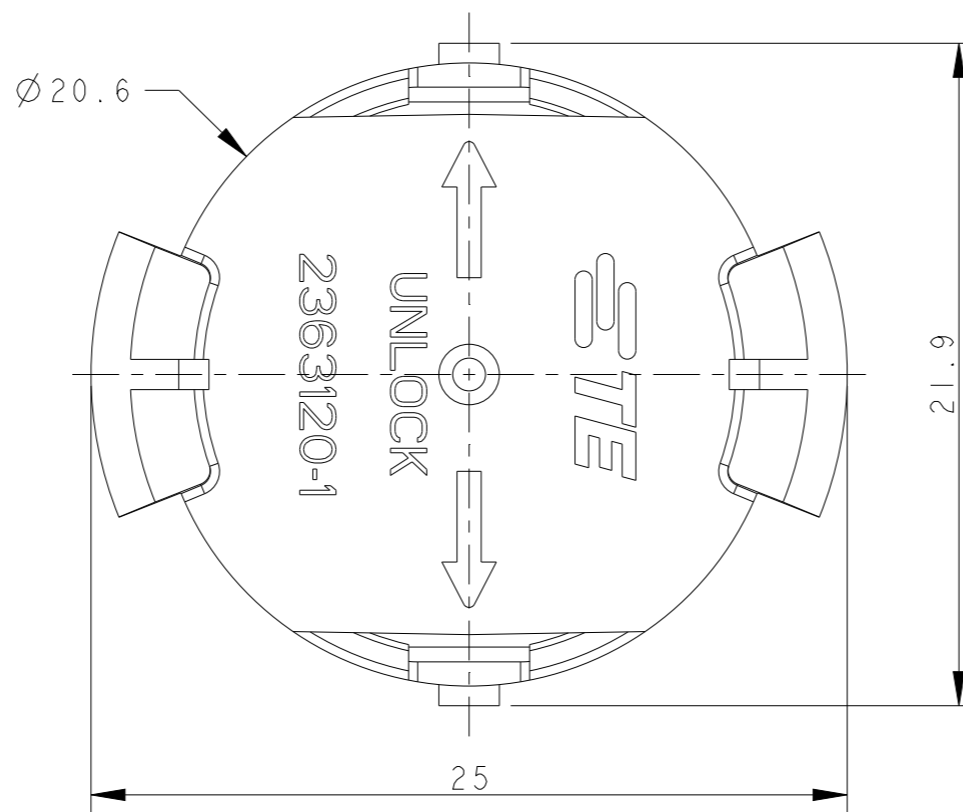
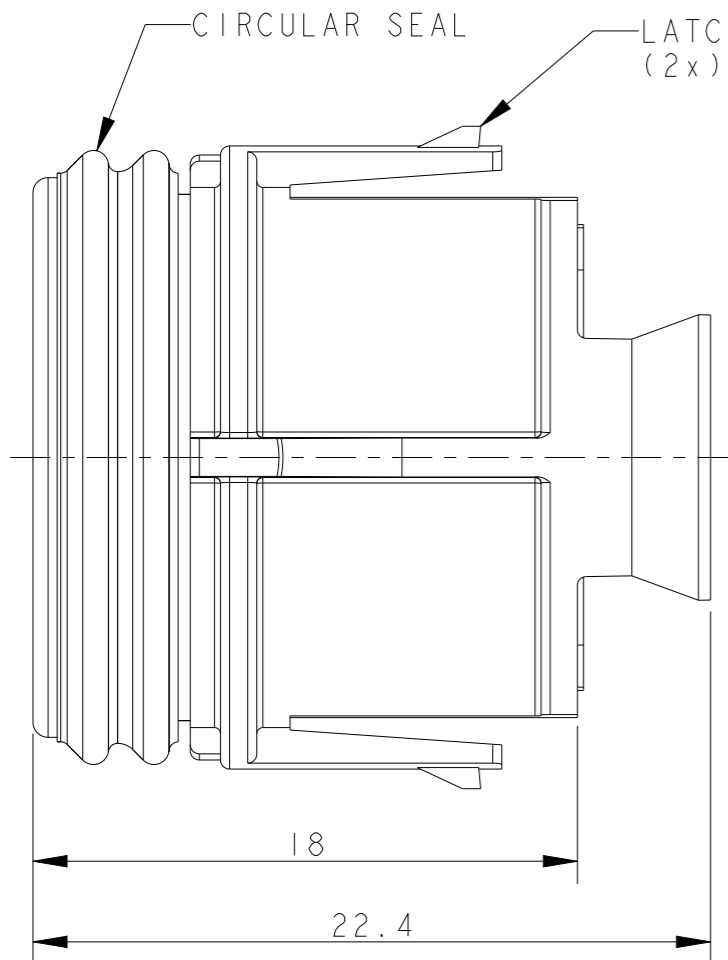


P	LTR	DESCRIPTION	DATE	DWN	APVD
	A	INITIAL RELEASE	26NOV2020	SM	MZ
	A1	RELEASED	18MAR2022	SM	MZ

NOTES:

- MATERIALS:
 PLASTIC: PBT+PC ALLOY, UL-V0 (BLACK COLOR)
 SEAL : NBR (ORANGE COLOR)
- IP RATING: IP68
- FOR ASSEMBLY INSTRUCTIONS, REFER APPLICATION SPECIFICATION 114-133123
- PACKAGING: IN PE BAG



PN 2366866-1 AS SHOWN
SCALE 2:1

THIS DRAWING IS A CONTROLLED DOCUMENT.

DIMENSIONS: mm	
MATERIAL -	

TOLERANCES UNLESS OTHERWISE SPECIFIED:	
0 PLC	±0.2
1 PLC	±0.2
2 PLC	±0.1
3 PLC	±-
4 PLC	±-
ANGLES	±1°
FINISH -	

DWN	26NOV2020
CHK	26NOV2020
APVD	26NOV2020
PRODUCT SPEC	108-133123
APPLICATION SPEC	114-133123
WEIGHT	-
CUSTOMER DRAWING	

TE Connectivity		NAME		RESTRICTED TO
		NECTOR T, 3Pos, SOCKET CONN. DUST CAP		
SIZE	CAGE CODE	DRAWING NO	-	
A3	00779	C-2366866	-	
SCALE		SHEET	OF	REV
4:1		1	1	A1