

1954640-1 ✓ ACTIVE



Industrial USB IP20

TE Internal #: 1954640-1

USB Connectors, A, 2.0, Standard Profile, Plug, 1 Port, Cable Mount, Straight, Bag & Box, IP67, Wire-to-Wire, 4 Position, Industrial USB IP20

[View on TE.com >](#)

Connectors > Audio & Video Connectors > USB Connectors



USB Adapter Type: **A**

USB Version: **2.0**

Connector Profile: **Standard**

Connector & Housing Type: **Plug**

Number of Ports: **1**

Features

Product Type Features

USB Adapter Type	A
USB Version	2.0
Connector & Housing Type	Plug
Connector System	Wire-to-Wire
Sealable	Yes
Connector & Contact Terminates To	Wire & Cable
USB Connector Type	USB 2.0 Type-A

Configuration Features

Number of Ports	1
Number of Positions	4

Body Features

Shell Plating Material	Nickel
Connector Profile	Standard

Contact Features



Contact Mating Area Plating Material Thickness	.76 μm [29.92 μin]
Contact Mating Area Plating Material	Gold
Contact Current Rating (Max)	1.5 A

Mechanical Attachment

Locking Feature	With
PCB Mount Location	Cable Mount
PCB Mount Retention Type	None
Connector Mounting Type	Cable Mount (Free-Hanging)

Housing Features

Housing Material	Polyester GF
Housing Color	Black
Body Orientation	Straight

Usage Conditions

Soldering Temperature (Max)	350 $^{\circ}\text{C}$ [662 $^{\circ}\text{F}$]
Operating Temperature Range	-55 – 85 $^{\circ}\text{C}$ [-67 – 185 $^{\circ}\text{F}$]

Operation/Application

Assembly Process Feature	None
Circuit Application	Power, Signal & High Speed Data

Industry Standards

Industry Standard	USB 2.0
IP Rating	IP67

Packaging Features

Packaging Quantity	1
Packaging Method	Bag & Box

Other

Audio & Video Connector Comment	Circular Coupling, Sealed
---------------------------------	---------------------------

Product Compliance

[For compliance documentation, visit the product page on TE.com>](#)

EU RoHS Directive 2011/65/EU	Compliant
EU ELV Directive 2000/53/EC	Compliant



China RoHS 2 Directive MIIT Order No 32, 2016	No Restricted Materials Above Threshold
EU REACH Regulation (EC) No. 1907/2006	Current ECHA Candidate List: JUNE 2023 (235) Candidate List Declared Against: JAN 2023 (233) Does not contain REACH SVHC
Halogen Content	Low Halogen - Br, Cl, F, I < 900 ppm per homogenous material. Also BFR/CFR/PVC Free
Solder Process Capability	Not applicable for solder process capability

Product Compliance Disclaimer

This information is provided based on reasonable inquiry of our suppliers and represents our current actual knowledge based on the information they provided. This information is subject to change. The part numbers that TE has identified as EU RoHS compliant have a maximum concentration of 0.1% by weight in homogenous materials for lead, hexavalent chromium, mercury, PBB, PBDE, DBP, BBP, DEHP, DIBP, and 0.01% for cadmium, or qualify for an exemption to these limits as defined in the Annexes of Directive 2011/65/EU (RoHS2). Finished electrical and electronic equipment products will be CE marked as required by Directive 2011/65/EU. Components may not be CE marked. Additionally, the part numbers that TE has identified as EU ELV compliant have a maximum concentration of 0.1% by weight in homogenous materials for lead, hexavalent chromium, and mercury, and 0.01% for cadmium, or qualify for an exemption to these limits as defined in the Annexes of Directive 2000/53/EC (ELV). Regarding the REACH Regulation, the information TE provides on SVHC in articles for this part number is based on the latest European Chemicals Agency (ECHA) 'Guidance on requirements for substances in articles' posted at this URL: <https://echa.europa.eu/guidance-documents/guidance-on-reach>

Compatible Parts



TE Part # 1828740-1
ASSEMBLY, PROTECTIVE CAP



TE Part # 1487596-1
USB, A-B, 28/24, BLACK, 2.0M



TE Part # 1954646-1
Recept Kit, Series B to A

Also in the Series | Industrial USB IP20



USB Connectors(9)

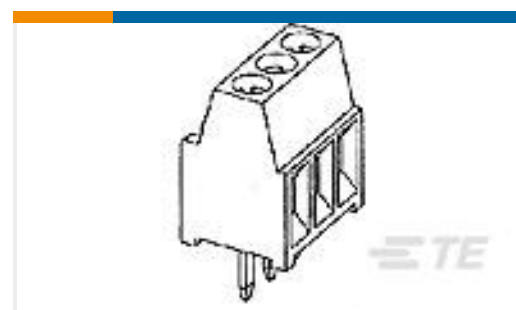
Customers Also Bought



TE Part #1-1623729-2
BCHE 17 W 22K 5%



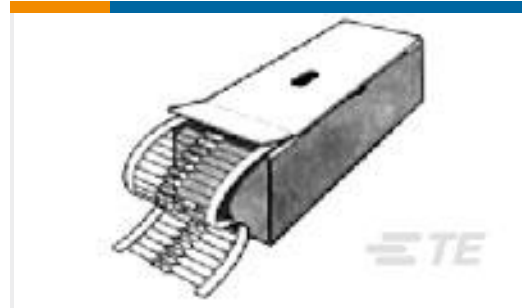
TE Part #5103308-3
A/L LOW PRO HDR 16P VERT BLACK



TE Part #282834-5
TERMI-BLOK PCB MOUNT, 90 5P.



TE Part #1623169-1
CRG0805 1% 270R



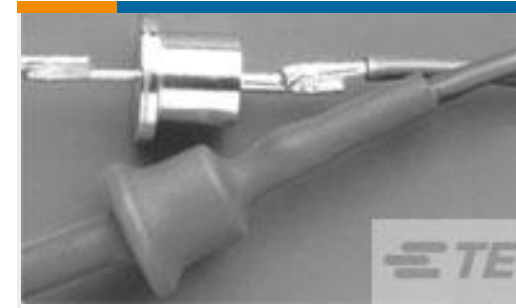
TE Part #1-2176078-3
EP 1W 1K0 5%



TE Part #1676666-2
RN 0805 20R 0.1% 10PPM 1K RL



TE Part #3-2176326-7
CRGP 0603 10K 1%



TE Part #5677624001
RNF-3000-1.5/0.5-2-SP



TE Part #650140-000
D-436-53



TE Part #1SNA105031R1400
M4/6

Documents

Product Drawings

Plug Kit,USB Series B

English

CAD Files

3D PDF

3D

Customer View Model

[ENG_CVM_CVM_1954640-1_A_c-1954640-1-a.2d_dxf.zip](#)

English

Customer View Model

[ENG_CVM_CVM_1954640-1_A_c-1954640-1-a.3d_igs.zip](#)

English

Customer View Model

[ENG_CVM_CVM_1954640-1_A_c-1954640-1-a.3d_stp.zip](#)

English

By downloading the CAD file I accept and agree to the [Terms and Conditions](#) of use.

Datasheets & Catalog Pages



[1-1773463-4_INDUSTRIAL_USB_CONNECTORS](#)

English

[CONNECTIVITY SOLUTIONS FOR INFOTAINMENT APPLICATIONS](#)

English

[Product Specifications](#)

[Application Specification](#)

English

[Instruction Sheets](#)

[Instruction Sheet \(U.S.\)](#)

English