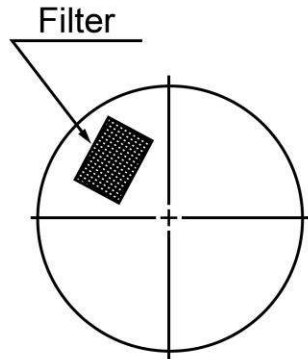
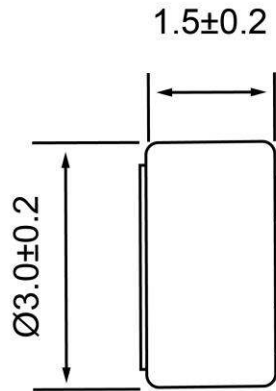


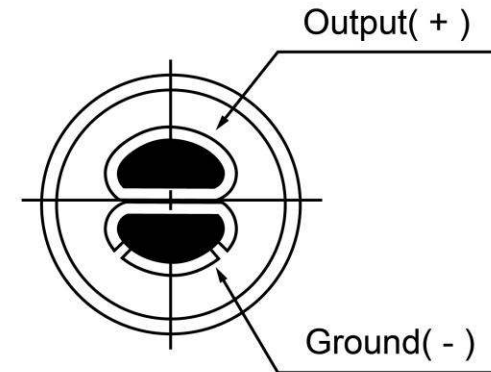
TOP VIEW



SIDE VIEW



BOTTOM VIEW



Specifications			Notes	Revision History					
Description	Value	Unit		Version	Description	Date	Approved		
Directivity	Omnidirectional		1) All dimensions are in mm unless otherwise noted 2) All parts meet RoHS 	1	Released from Engineering	2/9/2014	J.S.		
Technology	Electret Condenser								
Sensitivity	-44	(dB)							
Frequency Range	100 ~ 10,000	(Hz)							
Rated Voltage	2	(V)							
Impedance	2,200	(Ohm)							
Connection Method	Solder Pads								
Voltage Range	1.0 ~ 10.0	(V)							
Max Rated Current	0.5	(mA)							
Min. Signal to Noise Ratio	>58	(dB)							
Operating Temperature	-10 ~ +50	°C							
Storage Temperature	-20 ~ +60	°C							
						Electret Condenser Microphone		MO034402-1	
						Drawn by: G.W. Date: 10/31/2013 Checked by: C.E. Date: 1/16/2014 Approved by: J.S. Date: 2/9/2014			

Additional considerations can be found at www.dbunlimitedco.com/technical-articles.