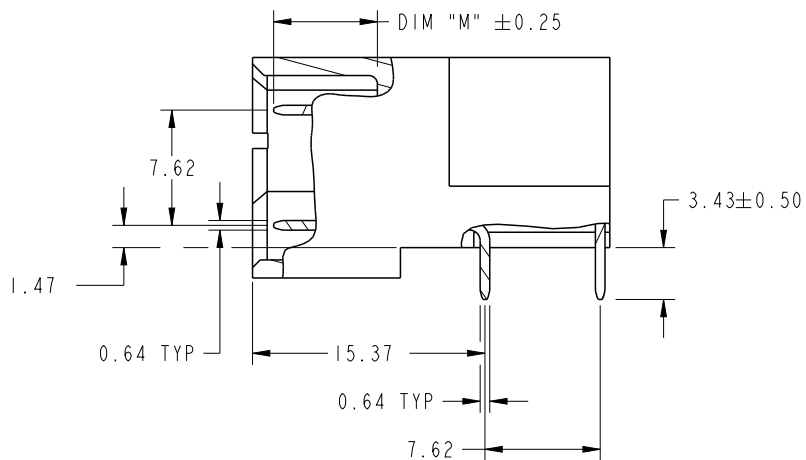


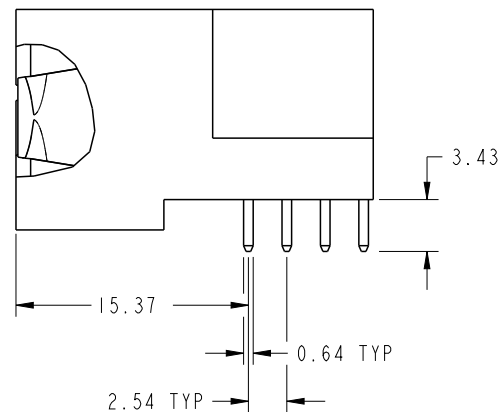


PRODUCT NUMBER

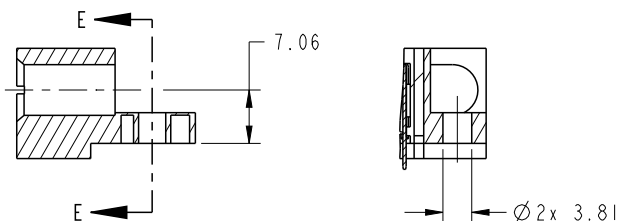
51939-761--  
NOTE: 3



SECTION A-A  
SCALE 2:1



BROKEN-OUT SECTION B-B  
SCALE 2:1



SECTION C-C

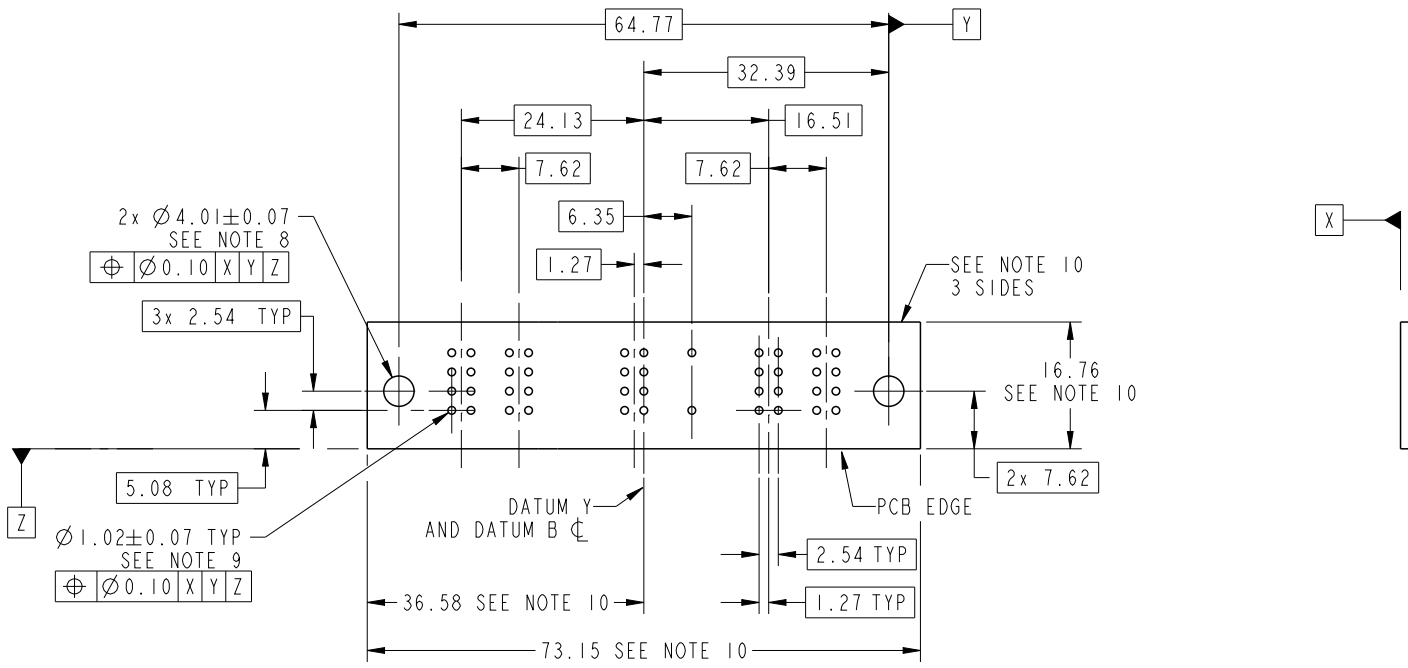
PARTIAL SECTION E-E

dr	Luo Weller	2013/04/27	projection 	MM ←————→	size	A4	scale	1:1
eng	Luo Weller	2013/05/20			ecn no	-		
chr	-	-			rel level	Released		
appr	Pei-Ming Zheng	2013/05/20	product family	PwrBlade	rev	A		
	title	4ACP+16S+2ACP RIGHT ANGLE SOLDER HEADER		dwg no	51939-761			
www.fci.com	cat. no.	-	Product - Customer Drw	sheet 2 of 4				



PRODUCT NUMBER

51939-761--  
NOTE: 3



RECOMMENDED PCB LAYOUT

dr	Luo Weller	2013/04/27	projection 	MM 	size	A4	scale	1:1
eng	Luo Weller	2013/05/20			ecn no	-		
chr	-	-			rel level	Released		
appr	Pei-Ming Zheng	2013/05/20	product family	PwrBlade	rel level	Released		
	title	4ACP+16S+2ACP RIGHT ANGLE SOLDER HEADER		dwg no	51939-761	rev	A	
www.fci.com	cat. no.	-	Product - Customer Drw	sheet 3 of 4				

PRODUCT NUMBER

51939-761--  
NOTE: 3

NOTES:

1. DIMENSIONS AND TOLERANCES ARE IN ACCORDANCE WITH ASME Y14.5M, 1994 UNLESS OTHERWISE SPECIFIED.

CONNECTOR NOTES:

- 2. HOUSING MATERIAL: UL 94 V-0 GLASS FILLED HIGH-TEMP THERMOPLASTIC  
POWER CONTACT MATERIAL: COPPER ALLOY  
SIGNAL PIN MATERIAL: COPPER ALLOY
- 3. SEE ITEM 1 & 2 IN PRINT 10064183 FOR PLATING SPEC OF 51939-761 AND 51939-761LF RESPECTIVELY.
- 4. MANUFACTURER'S NAME, DATE CODE AND OPTIONAL P/N TO APPEAR ON THIS SURFACE. THE MARK CAN BE OMITTED IF THERE IS NOT ENOUGH SPACE ON THIS SURFACE.
- 5. PRODUCT SPECIFICATION GS-12-149.  
APPLICATION SPECIFICATION BUS-20-067.
- 6. PACKAGED IN TRAYS.

PCB NOTES:

- 7. ALL HOLE DIAMETERS ARE FINISHED HOLE SIZE.
- 8. MOUNTING HOLES, WHERE APPLICABLE, ARE UNPLATED.
- 9.  $\varnothing 1.151 \pm 0.025$  DRILLED HOLES PLATED WITH  
0.008 MIN SnPb OR Sn OVER 0.03  
TO 0.08 Cu PLATING TO ACHIEVE  
 $\varnothing 1.02 \pm 0.07$  HOLE.
- 10. CONNECTOR KEEP-OUT ZONE.



Copyright FCI.

dr	Luo Weller	2013/04/27	projection 	MM 	size	A4	scale	1:1			
eng	Luo Weller	2013/05/20			ecn no	-					
chr	-	-			product family	PwrBlade	rel level	Released			
appr	Pei-Ming Zheng	2013/05/20			title	4ACP+16S+2ACP		dwg no	51939-761	rev	A
www.fci.com		cat. no.	-	Product - Customer Drw			sheet 4 of 4				