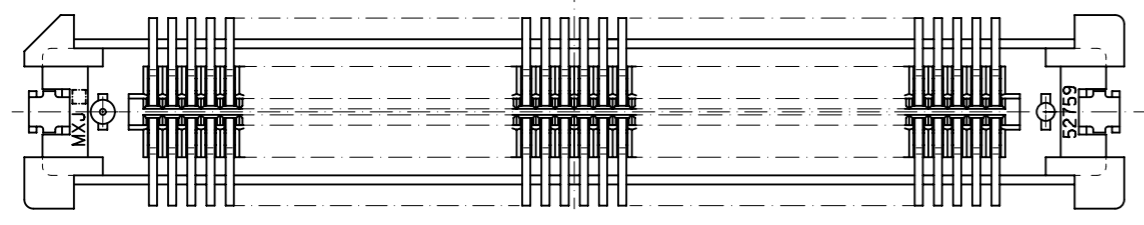
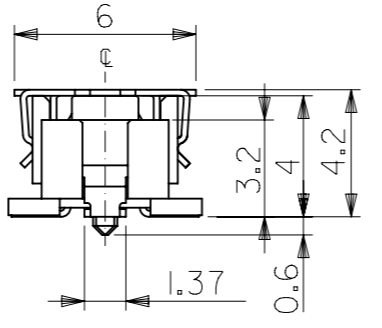
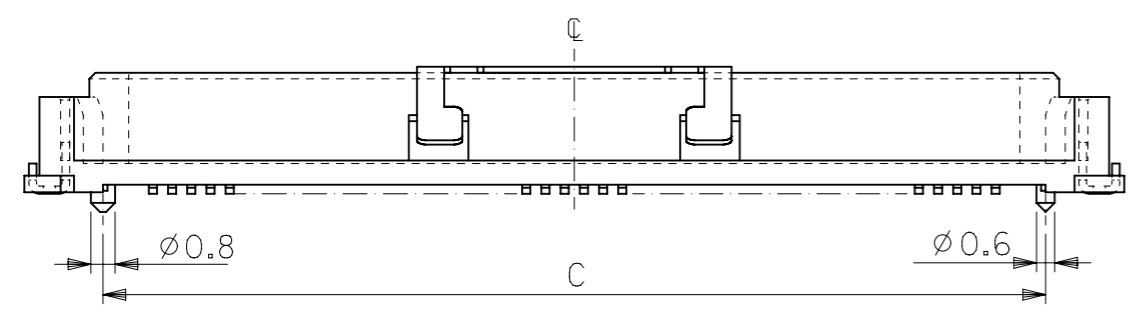


推奨基板寸法 (参考)

RECOMMENDED PCB PATTERN LAYOUT (REF.) (SCALE 2:1)

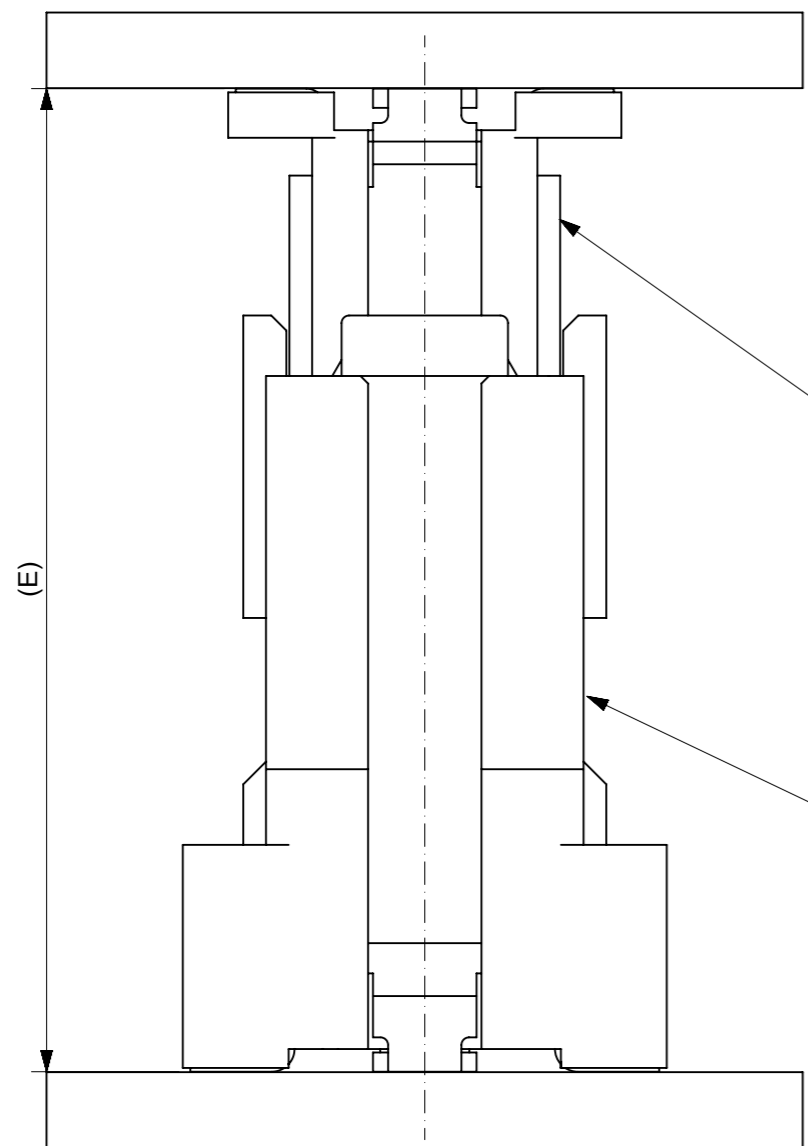


無し WITHOUT	80.47	78.87	75.565	84.07	52885-2474	240
	67.77	66.17	62.865	71.37	52885-2074	200
	61.42	59.82	56.515	65.02	52885-1874	180
	55.07	53.47	50.165	58.67	52885-1674	160
	48.72	47.12	43.815	52.32	52885-1474	140
	42.37	40.77	37.465	45.97	52885-1274	120
	36.02	34.42	31.115	39.62	52885-1074	100
	32.85	31.25	27.94	36.45	52885-0974	90
	29.67	28.07	24.765	33.27	52885-0874	80
	有り WITH	26.5	24.90	21.59	30.1	52885-0774
23.32		21.72	18.415	26.92	52885-0674	60
20.15		18.55	15.24	23.75	52885-0574	50
16.97		15.37	12.065	20.57	52885-0474	40
13.8		12.2	8.89	17.4	52885-0374	30
10.62	9.02	5.715	14.22	52885-0274	20	
ハウジングロック HSG LOCK	D	C	B	A	エンボス梱包 EMBOSSED PACKAGING オーダー番号 ORDER NO.	極数 CKT

注) NOTES

- 材質
MATERIAL
ハウジング: ガラス入りLCP、白色、UL94V-0
HOUSING: G.F.LCP, WHITE, UL94V-0
ターミナル: 銅合金 (t=0.2)
TERMINAL: COPPER ALLOY
吸着カバー: ステンレス (t=0.2)
VACUUM COVER: STAINLESS STEEL
補強金具: 銅合金 (t=0.25)
FITTING NAIL: COPPER ALLOY
- メッキ仕様
PLATING
ターミナル: 接点部: 金メッキ 0.25 マイクロメートル以上
CONTACT AREA: GOLD 0.25 MICROMETER MINIMUM
半田付け部: 錫メッキ 1.0 マイクロメートル以上
SOLDER TAIL AREA: TIN 1.0 MICROMETER MINIMUM
下地メッキ: ニッケルメッキ 1.5 マイクロメートル以上
UNDER-PLATING: NICKEL 1.5 MICROMETER MINIMUM
補強金具: 錫メッキ 1.0 マイクロメートル以上
FITTING NAIL: TIN 1.0 MICROMETER MINIMUM
下地メッキ: ニッケルメッキ 1.0 マイクロメートル以上
UNDER-PLATING: NICKEL 1.0 MICROMETER MINIMUM
- テールのバラツキ寸法
TAIL COPLANARITY
240極以下品のテール平坦度は0.1MAX.、
240極品のテール平坦度は0.12MAX.とする。
TAILS COPLANARITY TO BE 0.1MAX.
IN 240 CIRCUITS, TAILS COPLANARITY TO BE 0.12MAX.
- エンボス対応済みの極数については、SD-52885-004を参照下さい。
FOR THE EMBOSSED PACKAGE PRODUCTS, SEE SD-52885-004.

GENERAL TOLERANCES (UNLESS SPECIFIED)		THIS DRAWING CONTAINS INFORMATION THAT IS PROPRIETARY TO MOLEX ELECTRONIC TECHNOLOGIES, LLC AND SHOULD NOT BE USED WITHOUT WRITTEN PERMISSION	
10 UNDER	± 0.2	DIMENSION UNITS	SCALE
10 OVER 30 UNDER	± 0.25	mm	-
30 OVER	± 0.3	CURRENT REV DESC:	
ANGULAR ± 3 °		EC NO: 602629	
DRAFT WHERE APPLICABLE MUST REMAIN WITHIN DIMENSIONS		DRWN: RMIYAMOTO 2018/08/16	
		CHK'D: KSASAKI 2018/08/17	
		APPR: TKUSUHARA01 2018/08/17	
		INITIAL REVISION:	
		DRWN: MNAGATA 2004/03/19	
		APPR: MSASAO 2004/03/19	
		THIRD ANGLE PROJECTION	DRAWING
		⊕	A3-SIZE
		SERIES	MATERIAL NUMBER
		52885	SEE CHART
		CUSTOMER	SHEET NUMBER
		GENERAL MARKET	1 OF 2

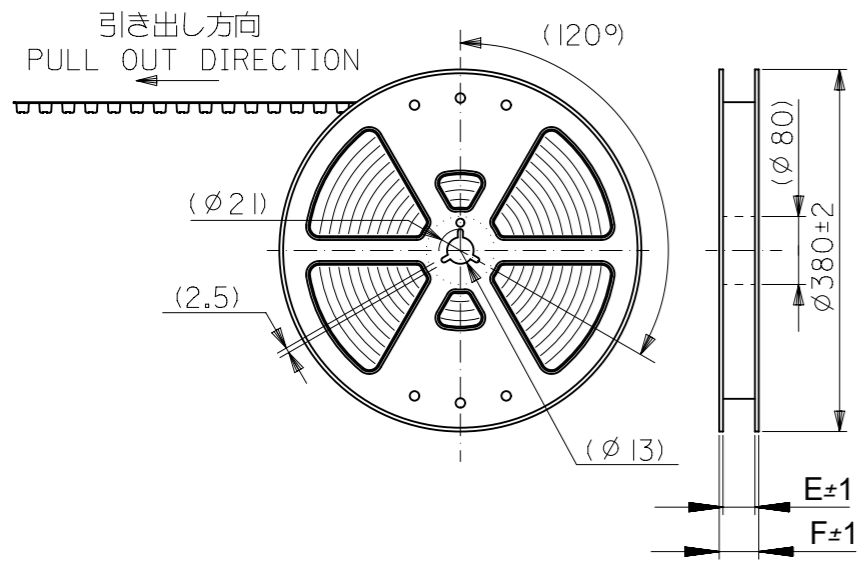


55091 series
53625 series
53647 series
53649 series
53627 series
Plug

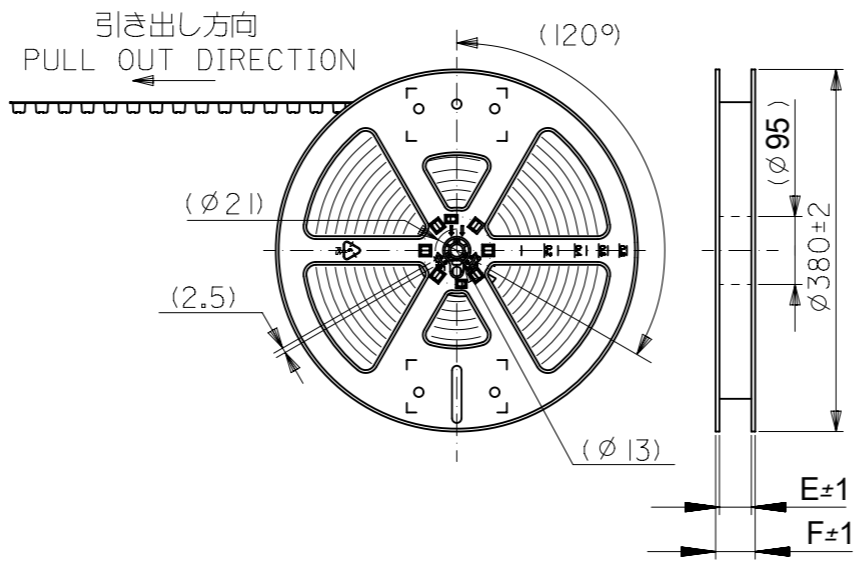
52885 series
52901 series
Receptacle

嵌合高さ一覧 Stacking Height variation			
○	6	52885 series	55091 series
○	7		53625 series
○	8		53647 series
○	9		53649 series
○	10		53627 series
	12	52901 series	55091 series
	13		53625 series
	14		53647 series
	15		53649 series
	16		53627 series
本図製品該当高さ Height Application	嵌合高さ E Stacking Height	リセプタクル Receptacle	プラグ Plug

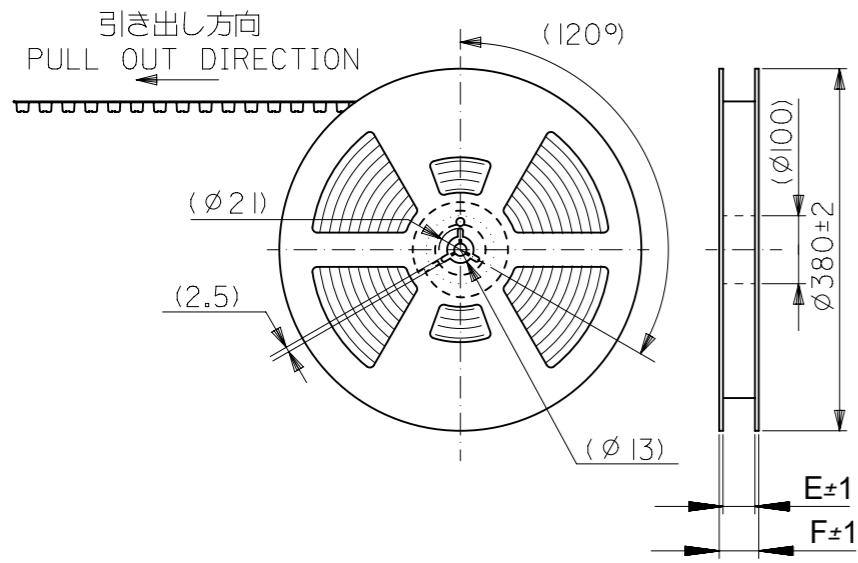
GENERAL TOLERANCES (UNLESS SPECIFIED)		THIS DRAWING CONTAINS INFORMATION THAT IS PROPRIETARY TO MOLEX ELECTRONIC TECHNOLOGIES, LLC AND SHOULD NOT BE USED WITHOUT WRITTEN PERMISSION		CURRENT REV DESC:			molex					
10 UNDER	± 0.2	DIMENSION UNITS	SCALE	EC NO: 602629 DRWN: RMIYAMOTO 2018/08/16 CHK'D: KSASAKI 2018/08/17 APPR: TKUSUHARA01 2018/08/17 INITIAL REVISION: DRWN: MNAGATA 2004/03/19 APPR: MSASAO 2004/03/19			0.635 PITCH B TO B S/T REC. HSG ASSY -LEAD FREE-					
10 OVER 30 UNDER	± 0.25	mm	-				PRODUCT CUSTOMER DRAWING					
30 OVER	± 0.3	GENERAL TOLERANCES (UNLESS SPECIFIED)					DOCUMENT NUMBER			DOC TYPE	DOC PART	REVISION
ANGULAR ± 3 °		ANGULAR TOL ± 30 °					SD-52885-003			PSD	001	E
DRAFT WHERE APPLICABLE MUST REMAIN WITHIN DIMENSIONS		DRAFT WHERE APPLICABLE MUST REMAIN WITHIN DIMENSIONS					THIRD ANGLE PROJECTION	DRAWING	SERIES	MATERIAL NUMBER	CUSTOMER	SHEET NUMBER
					A3-SIZE	52885	SEE CHART	GENERAL MARKET	2 OF 2			



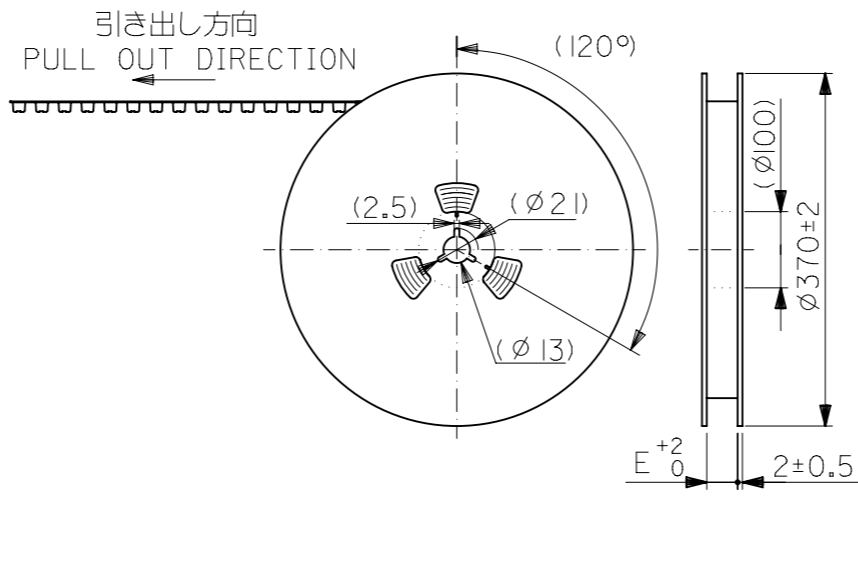
キャリアテープ幅：24mm～56mm
CARRIER TAPE WIDTH : 24mm-56mm



キャリアテープ幅：72mm
CARRIER TAPE WIDTH : 72mm



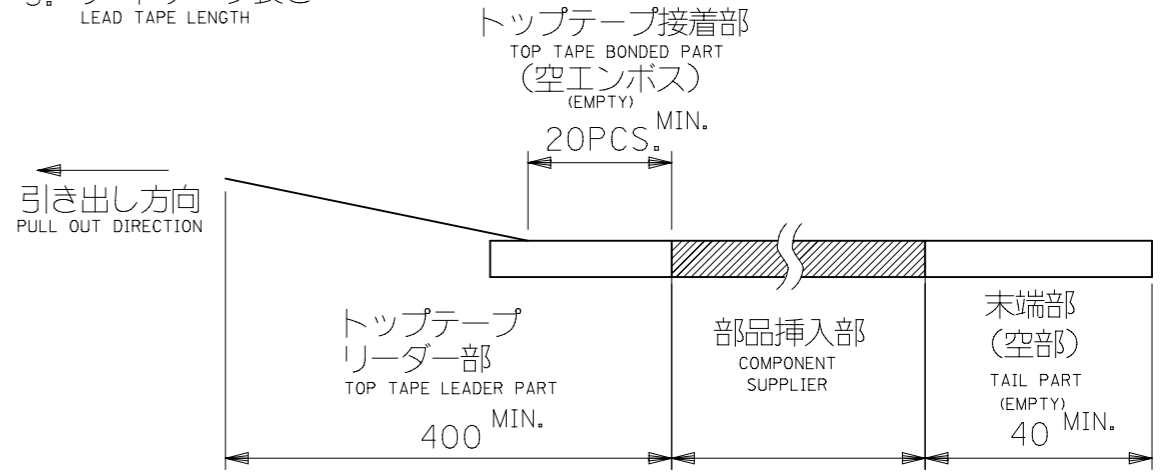
キャリアテープ幅：88mm
CARRIER TAPE WIDTH : 88mm



キャリアテープ幅：104mm
CARRIER TAPE WIDTH : 104mm

注)
NOTES

- 製品番号 52885-**72 の詳細寸法については SD-52885-003 を参照下さい。
IN THE PACKAGE , PART NO. 52885-**72 DETAILED DIMENSIONS , SEE SD-52885-003
- 梱包数量 : 1000個/リール
NUMBER OF CONNECTORS : 1000 PCS/REEL
- リードテープ長さ
LEAD TAPE LENGTH



4. 材料
MATERIAL

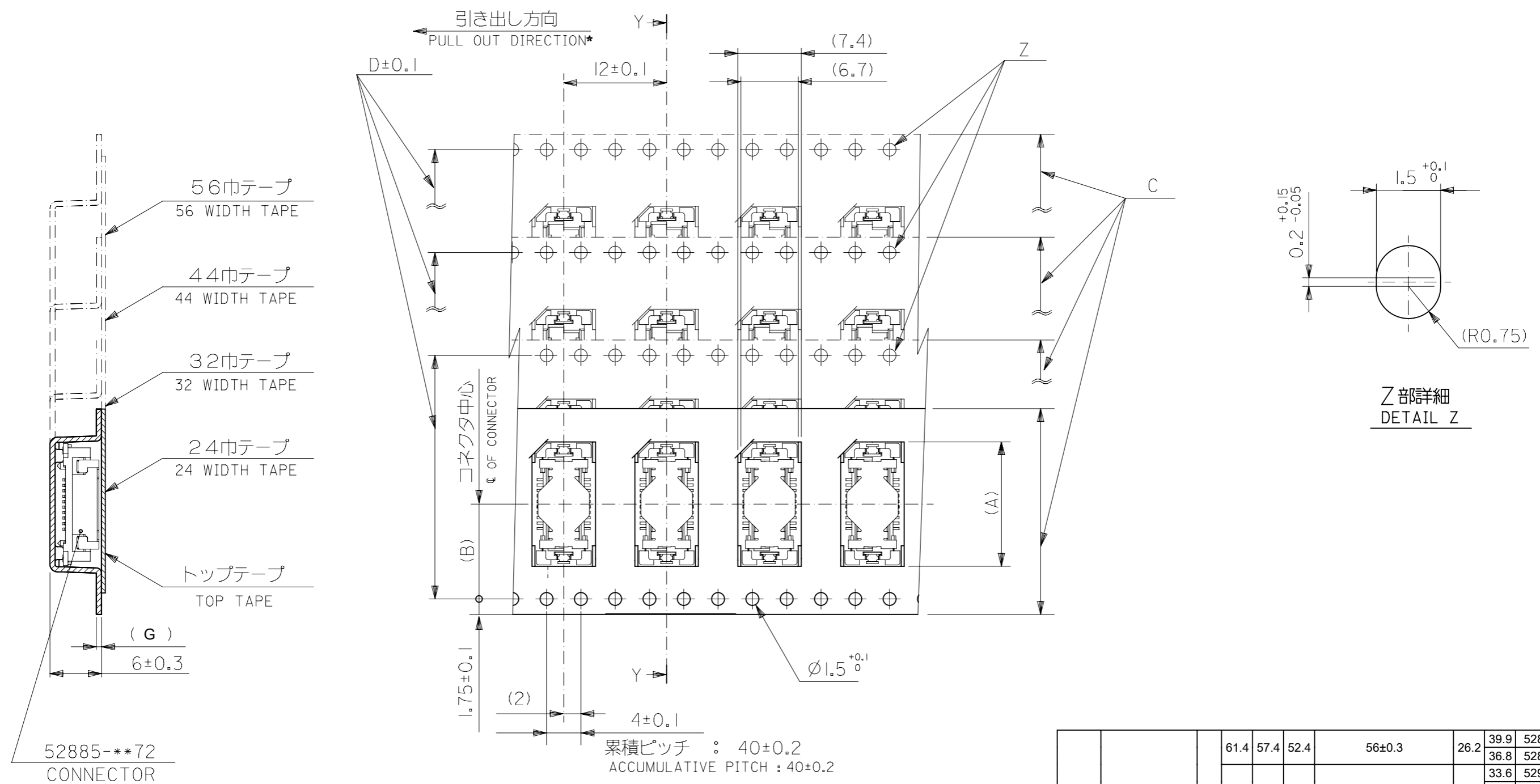
キャリアテープ : ポリプロピレン (PP) : 180極以外
ポリスチレン (PS) : 180極のみ

CARRIER TAPE : POLYPROPYLENE (PP) : OTHER THAN 180CKT
POLYSTYRENE (PS) : 180CKT ONLY

トップテープ : PET, PE, PEF
TOP TAPE : PET, PE, PEF

リール : キャリアテープ幅 24mm～88mm : ポリスチレン
CARRIER TAPE WIDTH 24mm-88mm : POLYSTYRENE
キャリアテープ幅 104mm : 紙
CARRIER TAPE WIDTH 104mm : CARD BOARD

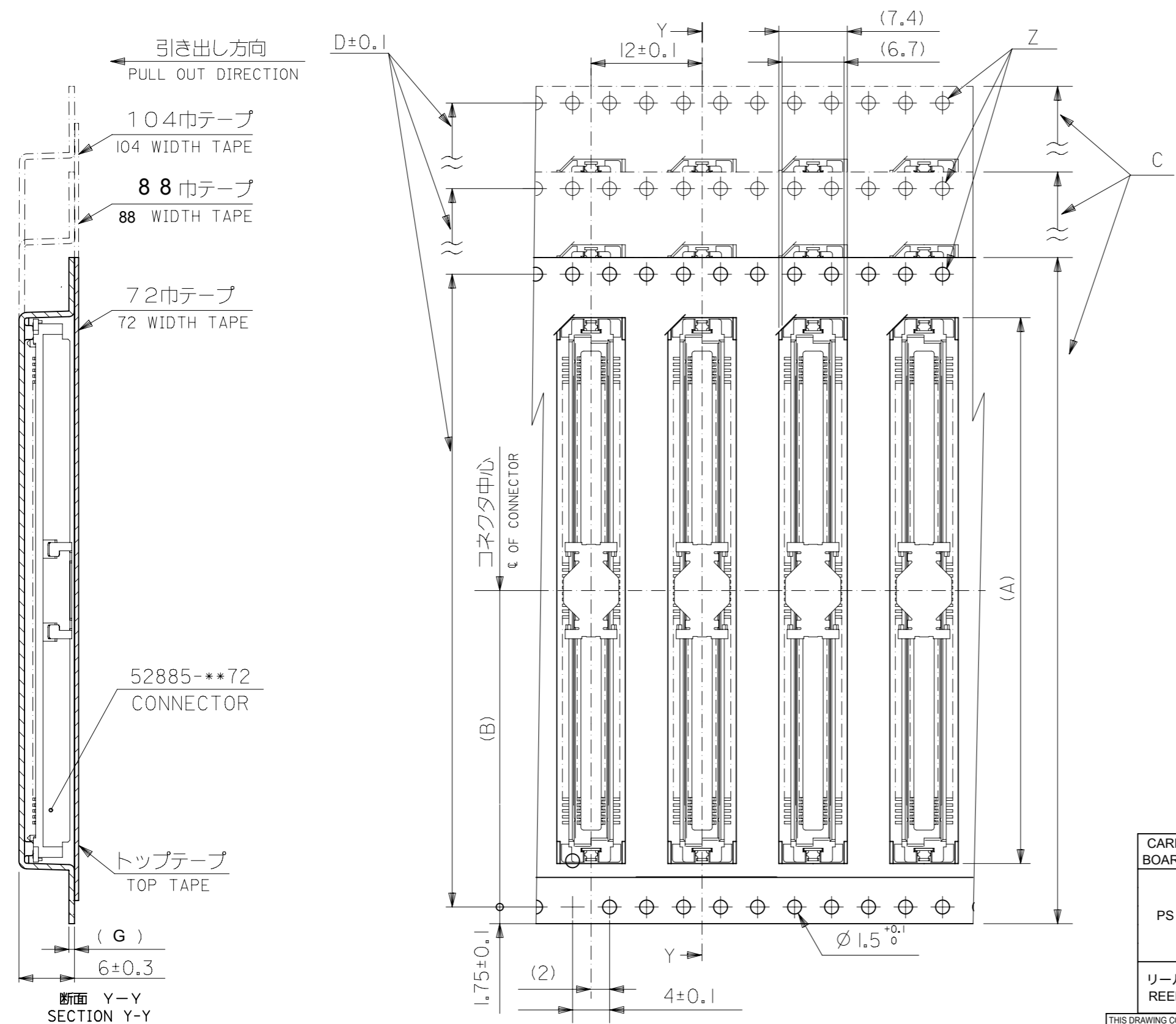
THIS DRAWING CONTAINS INFORMATION THAT IS PROPRIETARY TO MOLEX ELECTRONIC TECHNOLOGIES, LLC AND SHOULD NOT BE USED WITHOUT WRITTEN PERMISSION		CURRENT REV DESC:		molex	
DIMENSION UNITS	SCALE				
mm	-			52885-**72 TAPING PACKAGE -LEAD FREE-	
GENERAL TOLERANCES (UNLESS SPECIFIED)		EC NO: 175909		PRODUCT CUSTOMER DRAWING	
ANGULAR TOL	± °	DRWN: RMIYAMOTO	2018/03/16	DOCUMENT NUMBER	
4 PLACES	±	CHK'D: KSASAKI	2018/05/01	SD-52885-004	
3 PLACES	±	APPR: RTAKEUCHI	2018/05/01	DOC TYPE	DOC PART
2 PLACES	±	INITIAL REVISION:		PSD	001
1 PLACE	±	DRWN: MNAGATA	2004/03/19	REVISION	
0 PLACES	±	APPR: MSASAO	2004/03/19	F	
DRAFT WHERE APPLICABLE MUST REMAIN WITHIN DIMENSIONS		THIRD ANGLE PROJECTION	DRAWING	SERIES	MATERIAL NUMBER
			A3-SIZE	52885	SEE CHART
				CUSTOMER	SHEET NUMBER
				GENERAL MARKET	1 OF 3



PS	PP	0.6	61.4	57.4	52.4	56±0.3	26.2	39.9	52885-1074	100	
								36.8	52885-0974	90	
									33.6	52901-0874	80
									30.4	52885-0774	70
									27.2	52885-0674	60
									24.1	52885-0574	50
			37.4	33.4	28.4	32±0.3	14.2	20.9	52885-0474	40	
			29.4	25.4	-	24±0.3	11.5	17.7	52885-0374	30	
								14.5	52885-0274	20	
リール REEL	キャリアテープ CARRIER TAPE	G	F	E	D	C キャリアテープ幅 CARRIER TAPE WIDTH	B	A	オーダー番号 ORDER NO.	極数 CKT	

THIS DRAWING CONTAINS INFORMATION THAT IS PROPRIETARY TO MOLEX ELECTRONIC TECHNOLOGIES, LLC AND SHOULD NOT BE USED WITHOUT WRITTEN PERMISSION

DIMENSION UNITS mm	SCALE -	CURRENT REV DESC:		molex	
GENERAL TOLERANCES (UNLESS SPECIFIED)					
ANGULAR TOL ± °		EC NO: 175909		52885-***72	
4 PLACES ±		DRWN: RMIYAMOTO 2018/03/16		TAPING PACKAGE -LEAD FREE-	
3 PLACES ±		CHK'D: KSASAKI 2018/05/01		PRODUCT CUSTOMER DRAWING	
2 PLACES ±		APPR: RTAKEUCHI 2018/05/01		DOCUMENT NUMBER	
1 PLACE ±		INITIAL REVISION:		SD-52885-004	
0 PLACES ±		DRWN: MNAGATA 2004/03/19		DOC TYPE	
		APPR: MSASAO 2004/03/19		PSD	
DRAFT WHERE APPLICABLE MUST REMAIN WITHIN DIMENSIONS	THIRD ANGLE PROJECTION	DRAWING	SERIES	MATERIAL NUMBER	CUSTOMER
		A3-SIZE	52885	SEE CHART	GENERAL MARKET
					SHEET NUMBER
					2 OF 3



引き出し方向
PULL OUT DIRECTION

104巾テープ
104 WIDTH TAPE

88巾テープ
88 WIDTH TAPE

72巾テープ
72 WIDTH TAPE

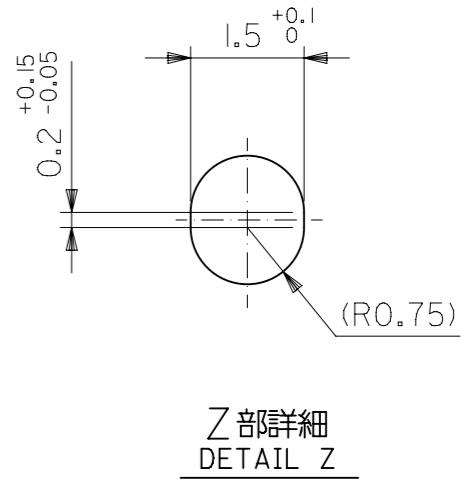
52885-**72
CONNECTOR

トップテープ
TOP TAPE

(G)
6±0.3
断面 Y-Y
SECTION Y-Y

コネクタ中心
C OF CONNECTOR

1.75±0.1
(2)
4±0.1
累積ピッチ : 40±0.2
ACCUMULATIVE PITCH : 40±0.2



CARD BOARD	PP	0.6	-	104.4	100.4	104±0.3	50.2	84.4	52885-2474	240
PS	PS	0.5	94	90	84.4	88±0.3	42.2	71.7	52885-2074	200
								65.4	52885-1874	180
	PP	0.6	78.1	73.5	68.4	72±0.3	34.2	52.6	52885-1474	140
								46.3	52885-1274	120
リール REEL	キャリアテープ CARRIER TAPE	G	F	E	D	C キャリアテープ幅 CARRIER TAPE WIDTH	B	A	オーダー番号 ORDER NO.	極数 CKT

THIS DRAWING CONTAINS INFORMATION THAT IS PROPRIETARY TO MOLEX ELECTRONIC TECHNOLOGIES, LLC AND SHOULD NOT BE USED WITHOUT WRITTEN PERMISSION

DIMENSION UNITS	SCALE	CURRENT REV DESC:		molex	
mm	-				
GENERAL TOLERANCES (UNLESS SPECIFIED)		EC NO: 175909		52885-**72	
ANGULAR TOL ± °		DRWN: RMIYAMOTO 2018/03/16		TAPING PACKAGE -LEAD FREE-	
4 PLACES ±		CHK'D: KSASAKI 2018/05/01		PRODUCT CUSTOMER DRAWING	
3 PLACES ±		APPR: RTAKEUCHI 2018/05/01		DOCUMENT NUMBER	
2 PLACES ±		INITIAL REVISION:		SD-52885-004	
1 PLACE ±		DRWN: MNAGATA 2004/03/19		DOC TYPE	
0 PLACES ±		APPR: MSASAO 2004/03/19		PSD	
DRAFT WHERE APPLICABLE MUST REMAIN WITHIN DIMENSIONS		THIRD ANGLE PROJECTION		DOC PART	
		DRAWING		001	
		SERIES		REVISION	
		A3-SIZE		F	
		MATERIAL NUMBER		SHEET NUMBER	
		52885		3 OF 3	
		CUSTOMER			
		SEE CHART		GENERAL MARKET	