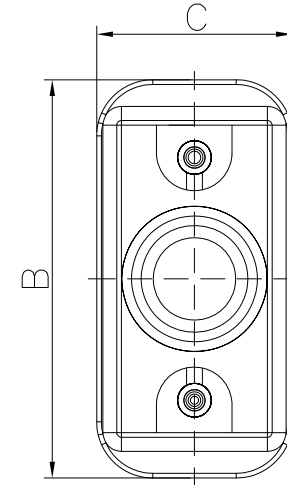
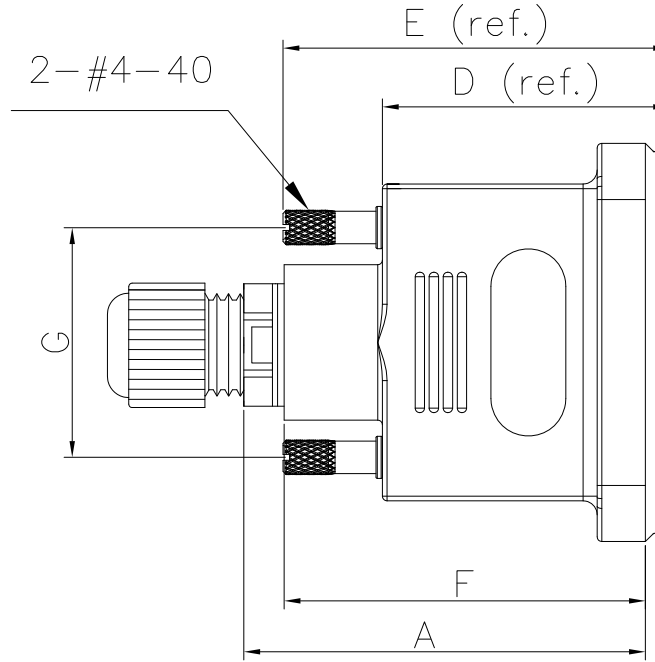
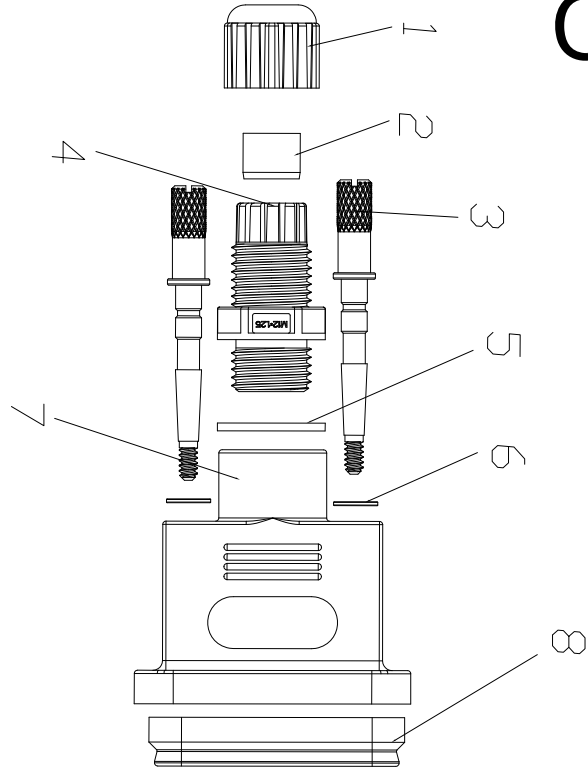


This document is the property of Amphenol Corporation and is delivered on the express condition that it is not to be disclosed, reproduced or used, in whole or in part, for manufacture or sale by anyone other than Amphenol Corporation without its prior consent, & that no right is granted to disclose or to use any information in this document.

Customer drawing

REVISIONS

SYM	ECN	DESCRIPTION	DATE	APPROVED
1	HK--	First Release Drawing	03/25/14	Tony.Tang
2	HK--	Added OD Dimension	02/07/22	Tony.Tang
3	HK--	Updated material and dimensions	07/29/22	Tony.Tang
4	HK--	Updated dimensions	08/05/22	Tony.Tang



8	Plastic 1	Silicone
7	water-proof shell	ABS757
6	Plastic 4	Silicone
5	plastic 2	Silicone
4	wire nut	PA66
3	Screw	Cu
2	Plastic 3	Silicone
1	Tight nut	PA66
No.	Description	Material

Part Number	Hood size	OD	A	B	C	D	E	F	G
L 17ED E PS	E	6.80	45.2	42.75	21.0	32.9	48.2	39.10	25.00
L 17ED A PS	A	7.90	45.5	51.00	20.9	32.9	48.2	39.10	33.30
L 17ED B PS	B	8.80	45.3	64.80	20.9	32.9	48.2	39.10	47.00
L 17ED C PS	C	9.90	45.2	81.05	20.9	32.6	47.9	39.10	63.50
L 17ED D PS	D	11.60	45.2	78.85	23.9	32.6	47.9	39.10	61.20



UNLESS OTHERWISE SPECIFIED TOLERANCES		APPROVAL		DATE
U.S.	METRIC	DRAWN	Bella.Wu	08/05/22
.X	+/- 0.50	CHECKED	Tony.Tang	08/05/22
.XX	+/- 0.30	CHECKED		
.XXX	+/- 0.20			
FRACTIONS	+/-			
ANGLES	+/- 5°			
FOR MATERIALS AND FINISHES SEE NOTES				
REMOVE SHARP EDGES				
DIMENSIONS				
U.S. INCHES		ANGLE OF PROJECTION		
METRIC MM				

Amphenol		
TITLE		
Waterproof hood,L17ED series		
SIZE	DRAWING NO.	REV.
A4	L17EDXPS	4
SCALE	NONE	SHEET 1 OF 1