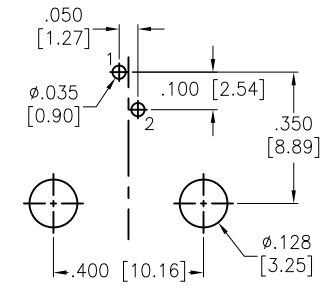
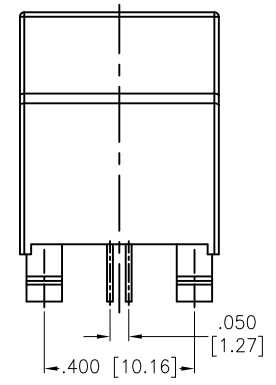
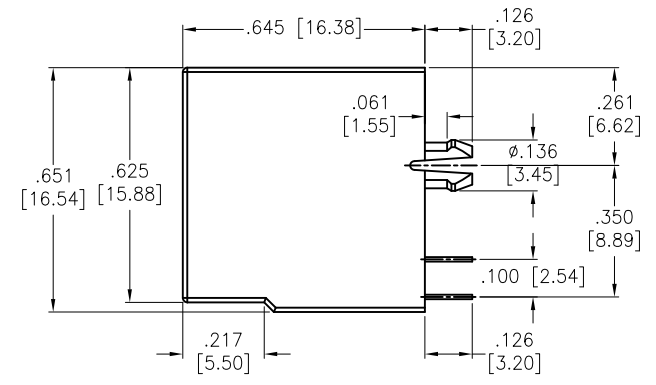
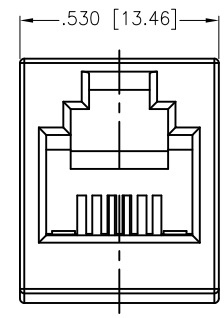


Rev	AWO #	Description	Date	Appr
-		RELEASED	9/27/18	

APPROVED: _____
DATE: _____ TITLE: _____



RECOMMENDED PCB LAYOUT

SPECIFICATIONS:
Material:
 Insulator: Hi-Temp Thermoplastic, rated UL 94V-0
 Insulator color: Pantone P355C Green
 Contacts: Phosphor Bronze
Plating:
 Round contact
 Gold over Nickel underplate overall
 Flat contact
 Gold over Nickel underplate on contact area,
 Tin over Nickel underplate on solder tails
Electrical:
 Voltage rating: 150 VAC max
 Current rating: 1.5 Amp max
 Contact resistance: 30 mohms max
 Insulation resistance: 500 Mohms min
 Dielectric withstanding voltage: 1,000 VAC
 Temperature Rating:
 Operating temperature: -40°C to +70°C
Environmental:
 Lead free, RoHS compliant.



UNLESS OTHERWISE SPECIFIED ALL DIMENSIONS ARE INCHES [MM] TOLERANCES: EXCEPT AS NOTED		
INCHES		HOLES
.X ± .10	Ø.X ± .10	
.XX ± .020	Ø.XX ± .015	
.XXX ± .015	Ø.XXX ± .010	
APPROVALS		DATE
DRAWN	HR	9/27/18
CHECKED	RC2	9/27/18
APPROVED		

ADAM TECH INTERCONNECTS 909 Rahway Avenue,
Union, NJ 07083
Phone: 908-687-5000
Fax: 908-687-5710

TITLE MODULAR TELEPHONE JACK, 6P2C VERTICAL TOP ENTRY, PCB, NO PANEL STOPS, GREEN		
SIZE X	PART NO. MTJ-623X1-N-HT-P355C-A	REV. -
REF: S00297T	SCALE: NTS	SHEET 1 OF 1