

4

3

2

1

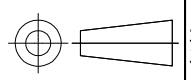
THIS DRAWING IS UNPUBLISHED. RELEASED FOR PUBLICATION DEC , 1995.

© COPYRIGHT 1995 By Tyco Electronics Japan G.K. ALL RIGHTS RESERVED.

LOC	DIST	REVISIONS 変更					
J	/	P	LTR	DESCRIPTION	DATE	DWN	APVD
		E		OBSOLETE PER ECR-13-006151	11APR2013	I.T	S.Y


OBSOLETE

THIS DRAWING IS A CONTROLLED DOCUMENT.

DIMENSIONS: 単位: 耗 mm	TOLERANCES UNLESS OTHERWISE SPECIFIED: 一般公差
	0 PLC ± -
	1 PLC ± -
	2 PLC ± -
	3 PLC ± -
	4 PLC ± -
MATERIAL 材料	FINISH 仕上

GENERAL TOLERANCE
一般公差

10 ≥ : ±0.2
30 ≥ > 10: ±0.25
100 ≥ > 30: ±0.3
ANGLES: ±3°

DWN N.NAGASHIMA	05DEC1995		TE Connectivity ON TAPING EMBOSS CAP ASSEMBLY H-TYPE 0.8mm PITCH BOARD TO BOARD CONNECTOR エンボス詰 キャップ・アッセンブリ 水平型		
CHK S.KUBOUCHI	05DEC1995				
APVD S.KUBOUCHI	05DEC1995				
PRODUCT SPEC 製品規格		NAME 名称			
APPLICATION SPEC 取付適用規格		SIZE	CAGE CODE	DRAWING NO 番号	RESTRICTED TO
WEIGHT		A3	00779	C-316739	—
CUSTOMER DRAWING		SCALE 尺度	NTS	SHEET 1 OF 1	REV E