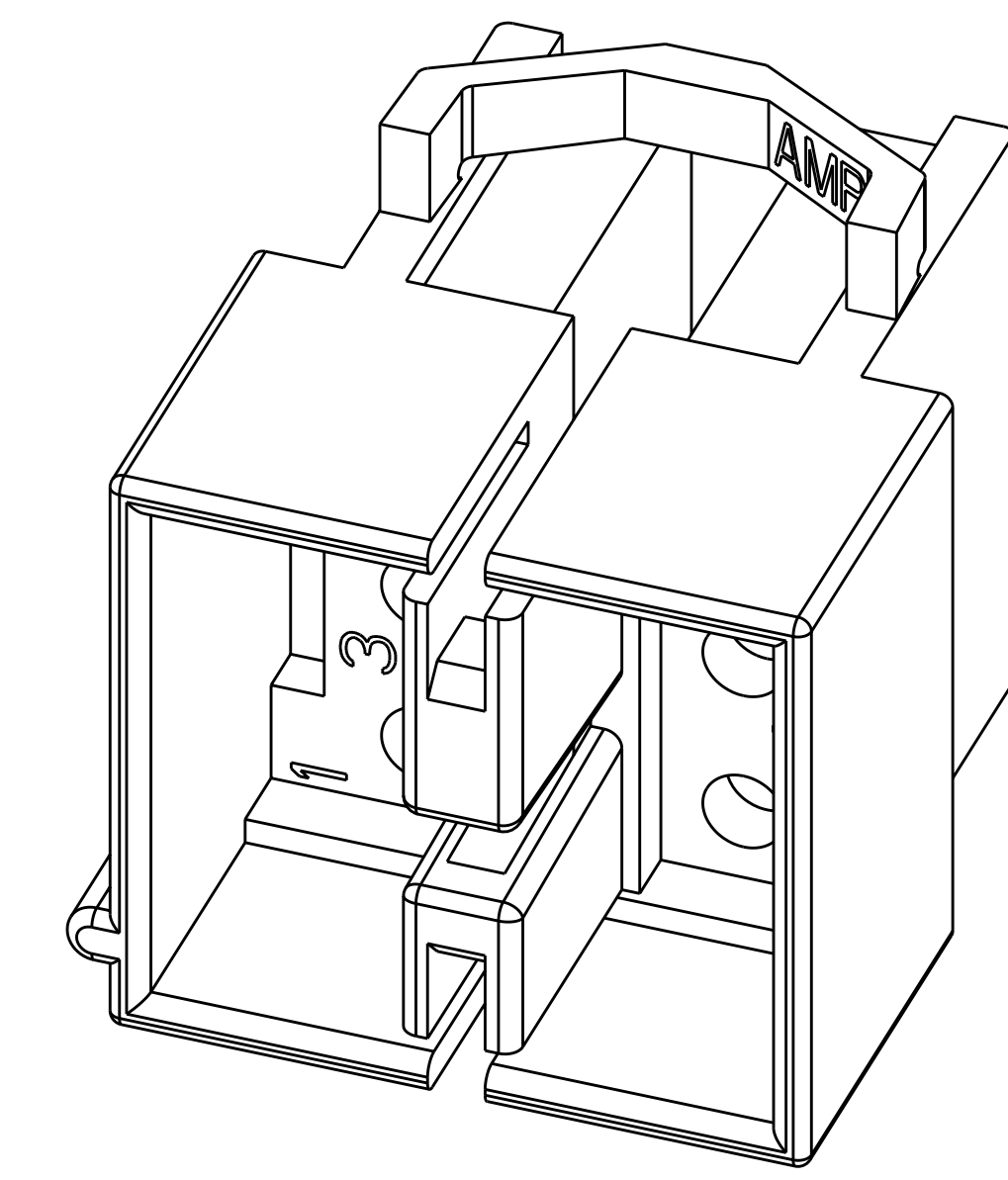
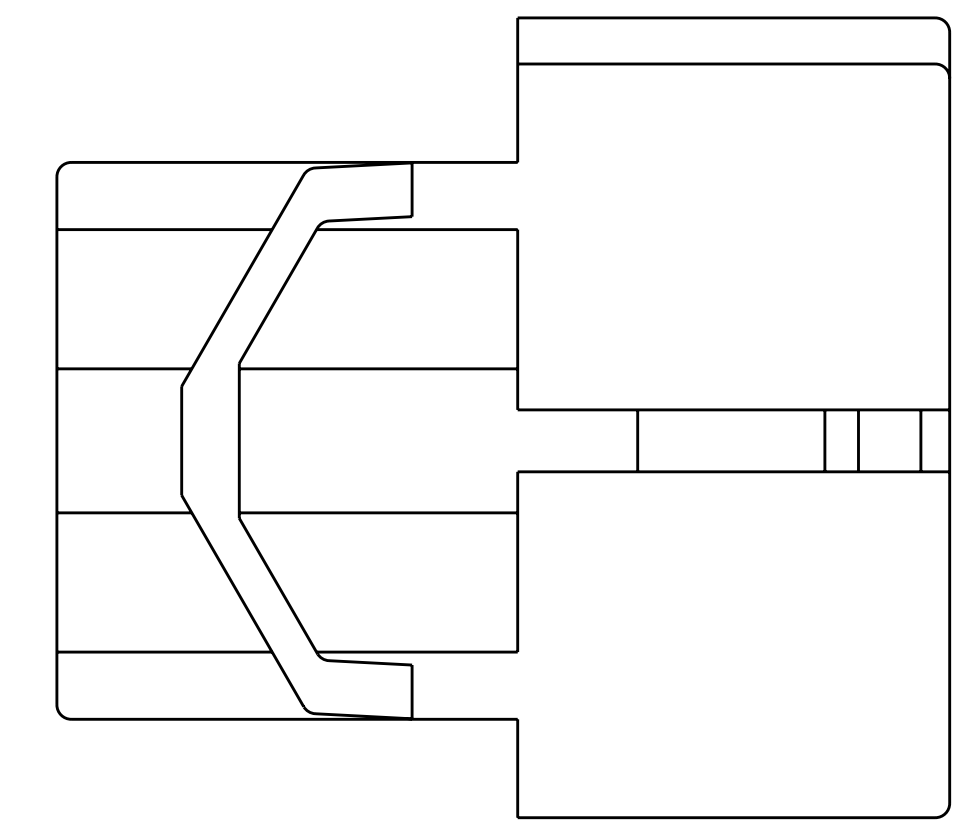
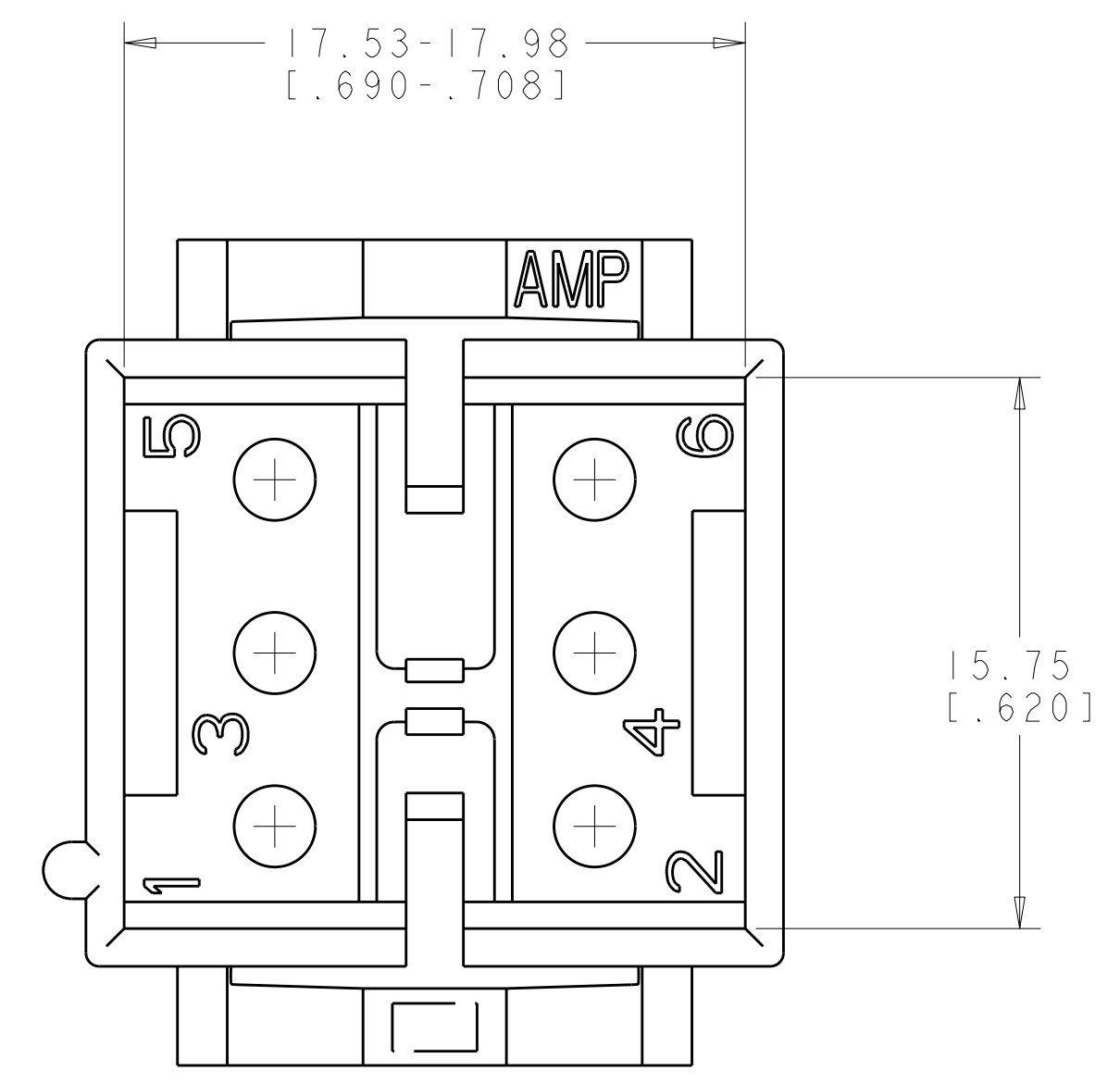
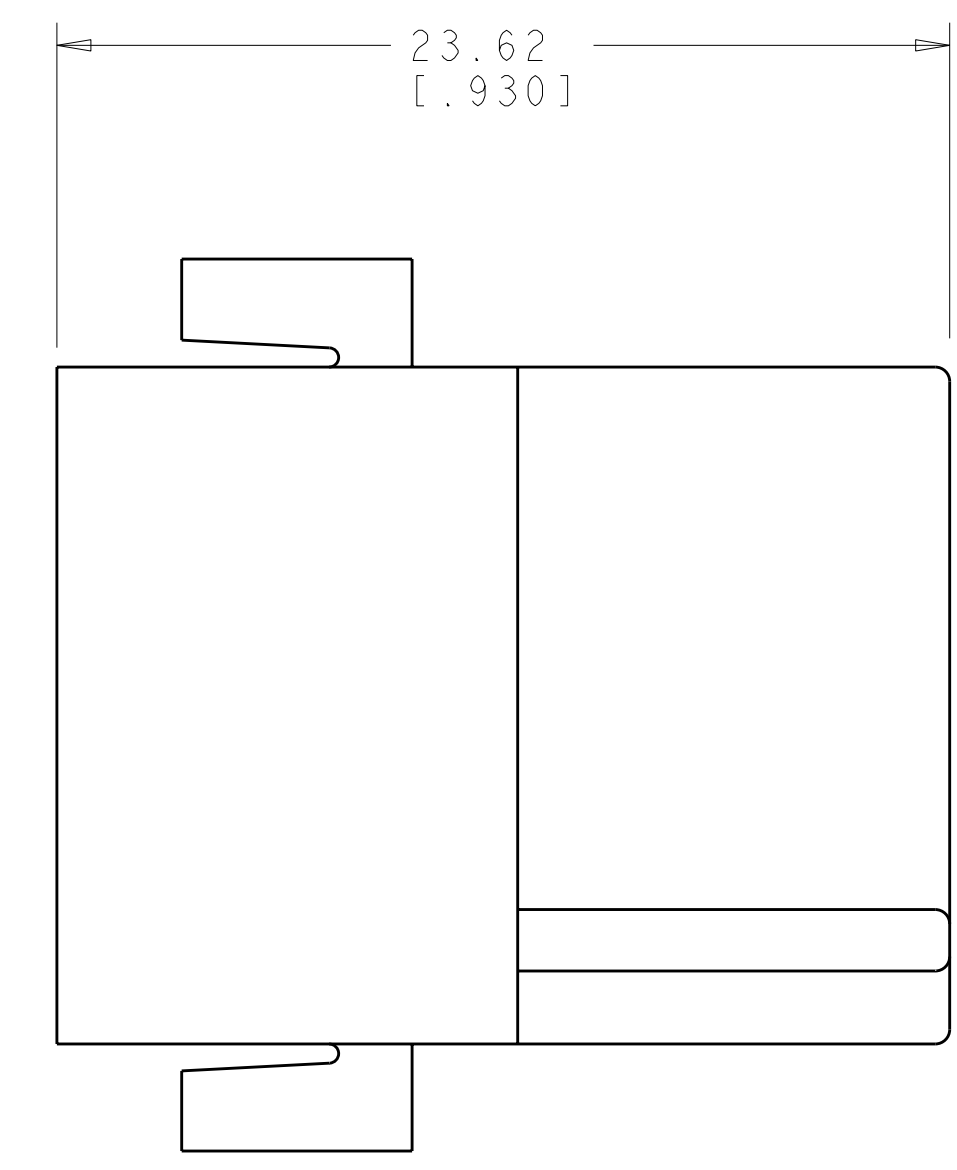
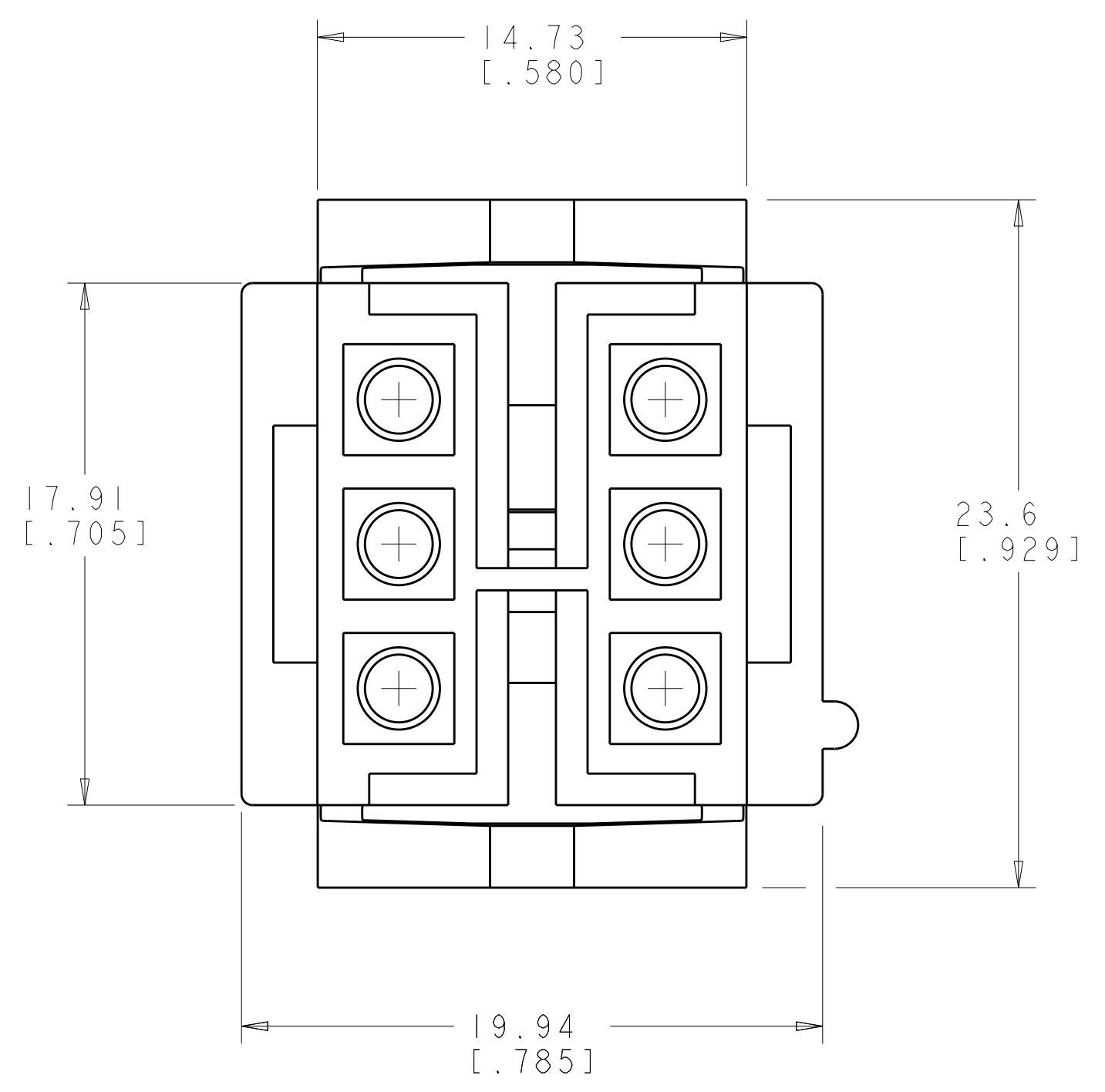


LOC	DIST	REVISIONS			
CM	00	REV	DATE	DWN	APVD
		J1	REVISD PER ECO-11-005027	17MAR2011	RK HMR

1. THIS CAP IS TO BE USED WITH PLUG 480270.
2. TO BE USED WITH APPROPRIATE COMMERCIAL MATE-N-LOK™ PINS.



0.184 IN <sup>3</sup>	1-480340-0
VOLUME	PART NUMBER

**METRIC**

THIS DRAWING IS A CONTROLLED DOCUMENT.		DWN: R. WHITAKER 01NOV2007	TE Connectivity CAP, FREE HANGING, COMMERCIAL MATE-N-LOK(TM)
DIMENSIONS: mm [INCHES]		CHK: C. CASH 01NOV2007	
TOLERANCES UNLESS OTHERWISE SPECIFIED:		APVD: C. CASH 01NOV2007	
9 PLC ± 8 PLC ±0.13 (1.005) 5 PLC ± 4 PLC ± ANGLES ±0°30' FINISH		NAME: PRODUCT SPEC: APPLICATION SPEC: WEIGHT: CUSTOMER DRAWING	
MATERIAL: NYLON, U 94V-2, NATURAL		SIZE: A100779 CAGE CODE: C=480340 DRAWING NO:	RESTRICTED TO: SCALE: 5:1 SHEET: 1 OF 1 REV: J1