

# 960T-WM-40H40V

## Wall mount for signage(50kg)



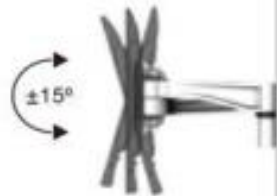
PAPS,

Latest updated 20200310

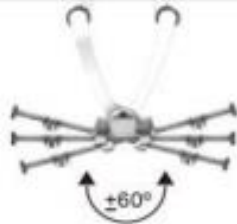
# Product



Tilt



Swivel



Cable Management



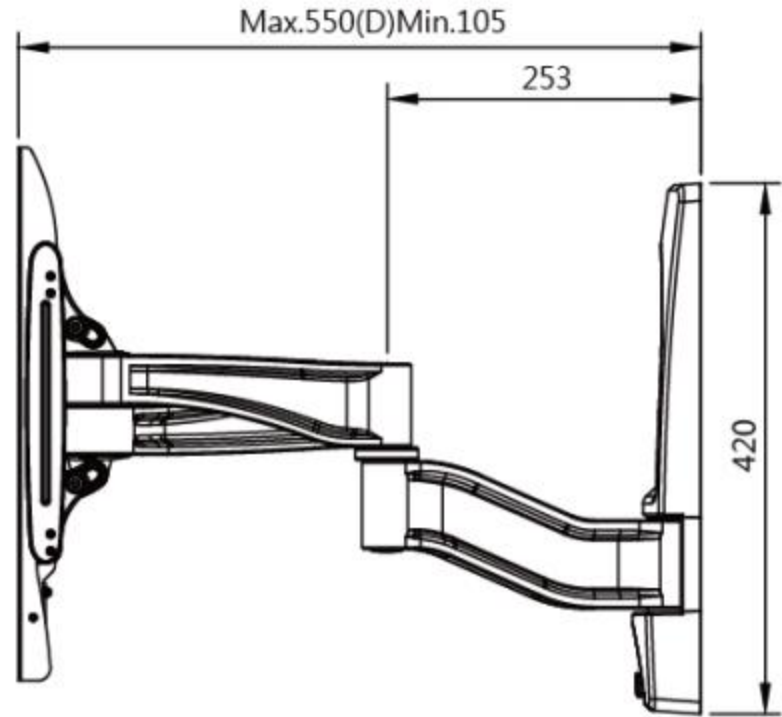
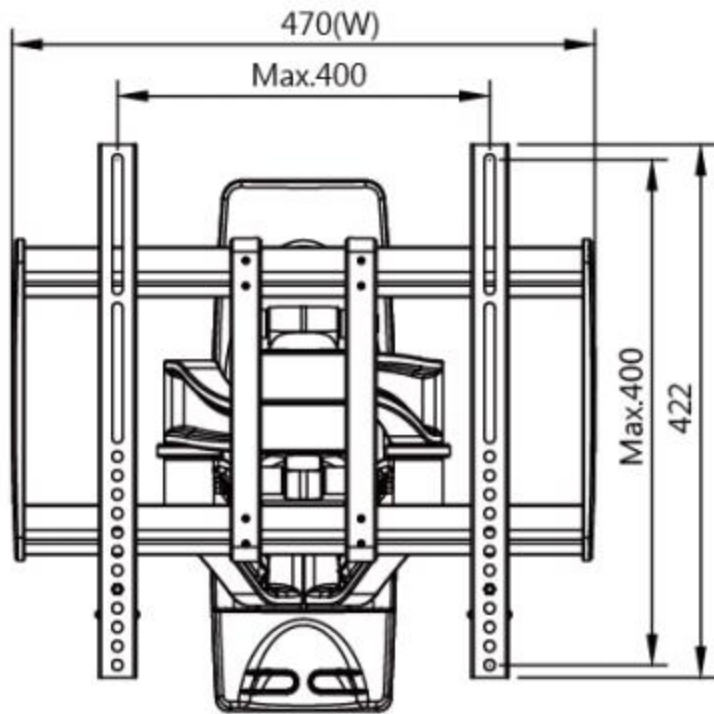
Torque Adjust



# Specifications

Complete System		
Net Weight	8.68 Kg (19.14lbs)	
Dimension(W*H*D)	470 x 448 x 550 mm ( 18.50" x 17.64" x 21.65" )	
Screw Type	M4,M5,M6,M8	
Material	Steel/Aluminum Alloy/Plastic	
Display System		
Hinge Module	Swivel	Max. +/-60°
	Tilt	Max. +/-15°
	User Torque Adjust	Available
Display Support	Mounting Pattern	Max. Mount :400x400 mm
	Panel Size Support	26"~65"
	Support Weight (Range)	50Kg(110.3lbs)
Max. Distance To The Wall	550mm (21.65")	
Min. Distance To The Wall	105 mm(4.13")	
Extended Arm Provided	4	
Cable Management	Yes	

# Drawing



# Co-Creating the Future of the IoT World

