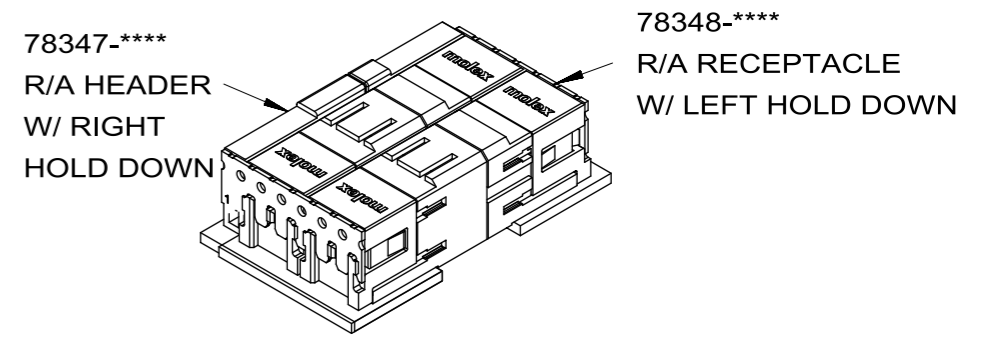
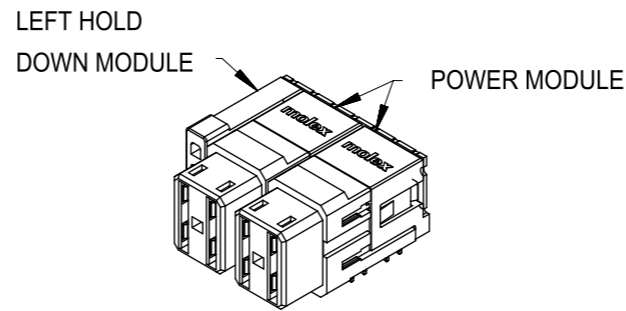


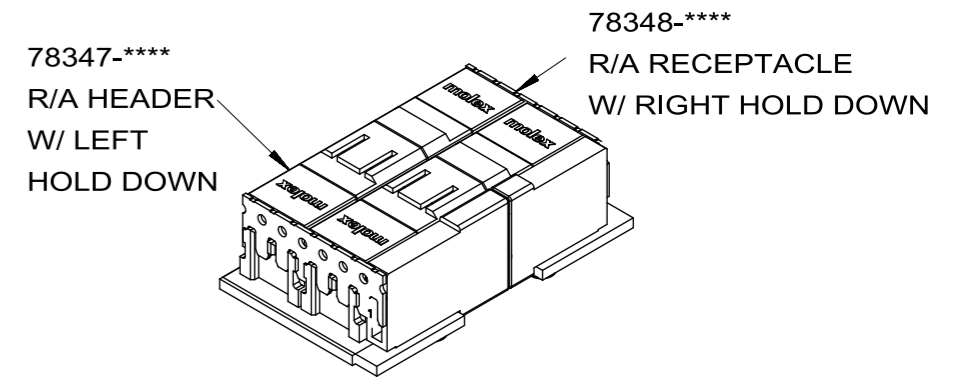
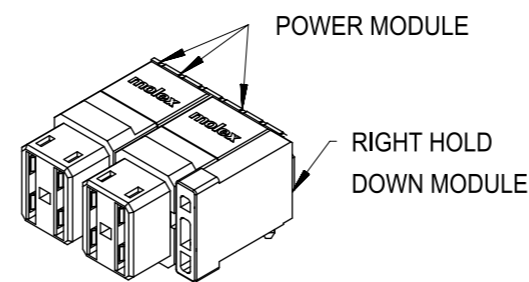
PART NUMBER	NUMBER OF POWER MODULES	"DIM A"	PLATING OPTION	LEFT HOLD DOWN MODULE LOCATION ⁹
78348-1001	1X	15.00	TIN	REFER TO SHEET 2 FOR DETAILS
78348-1011	2X	26.40		
78348-5001	1X	15.00	TIN-LEAD	
78348-5011	2X	26.40		

LEFT HOLD DOWN OPTIONS

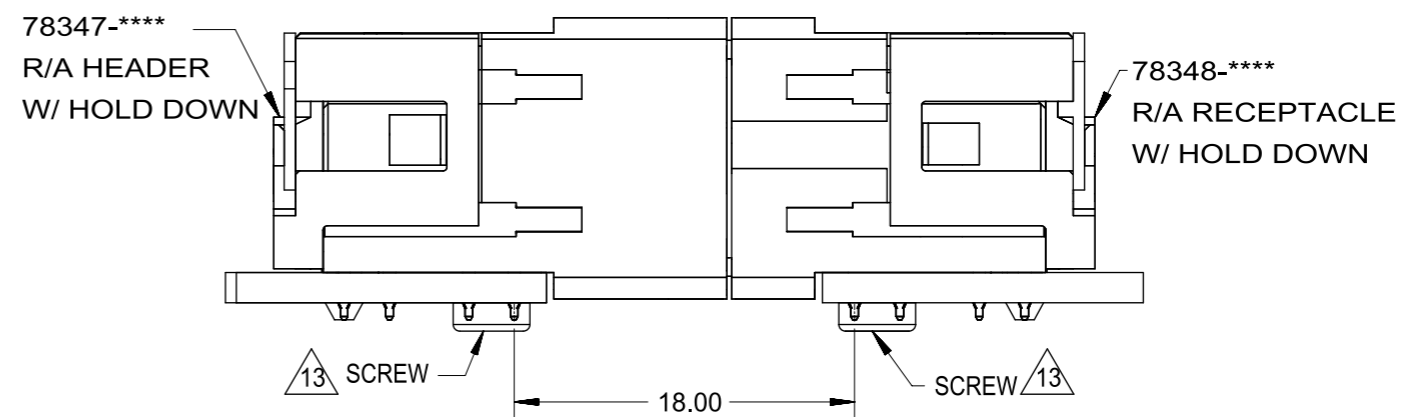


PART NUMBER	NUMBER OF POWER MODULES	"DIM A"	PLATING OPTION	RIGHT HOLD DOWN MODULE LOCATION ⁹
78348-2001	1X	15.00	TIN	REFER TO SHEET 3 FOR DETAILS
78348-2011	2X	26.40		
78348-6001	1X	15.00	TIN-LEAD	
78348-6011	2X	26.40		

RIGHT HOLD DOWN OPTIONS



- NOTES:
- MATERIALS:
HOUSING - HIGH TEMP. THERMOPLASTIC, GLASS FILLED, UL94-V0,COLOR:BLACK.
POWER PIN - COPPER ALLOY.
 - FINISHES:
POWER CONTACTS
0.76m MINIMUM GOLD AT CONTACT AREA AND
2.54m MINIMUM TIN OR TIN-LEAD AT SOLDER TAIL AREA
OVER 1.27m MINIMUM NICKEL UNDERPLATE.
 - PRODUCT SPECIFICATION: PS-78213-001.
 - PACKAGING SPECIFICATION:
PK-78348-001 (1X MODULE WITH HOLD DOWN MODULE)
PK-78348-002 (2X MODULE WITH HOLD DOWN MODULE)

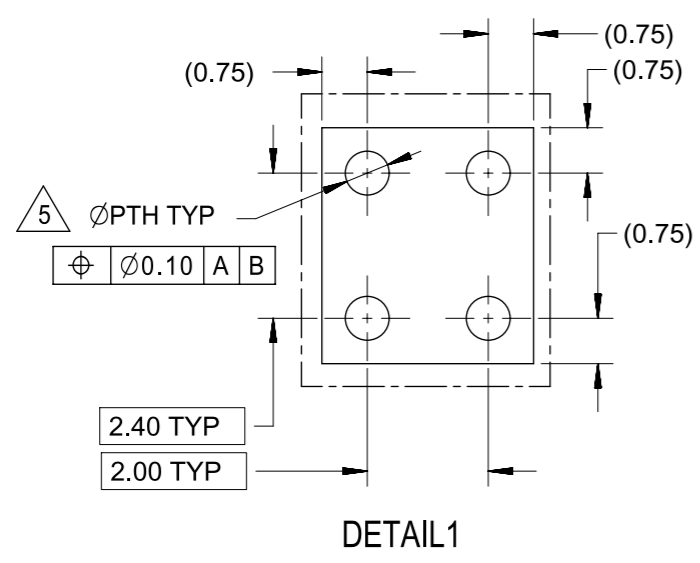
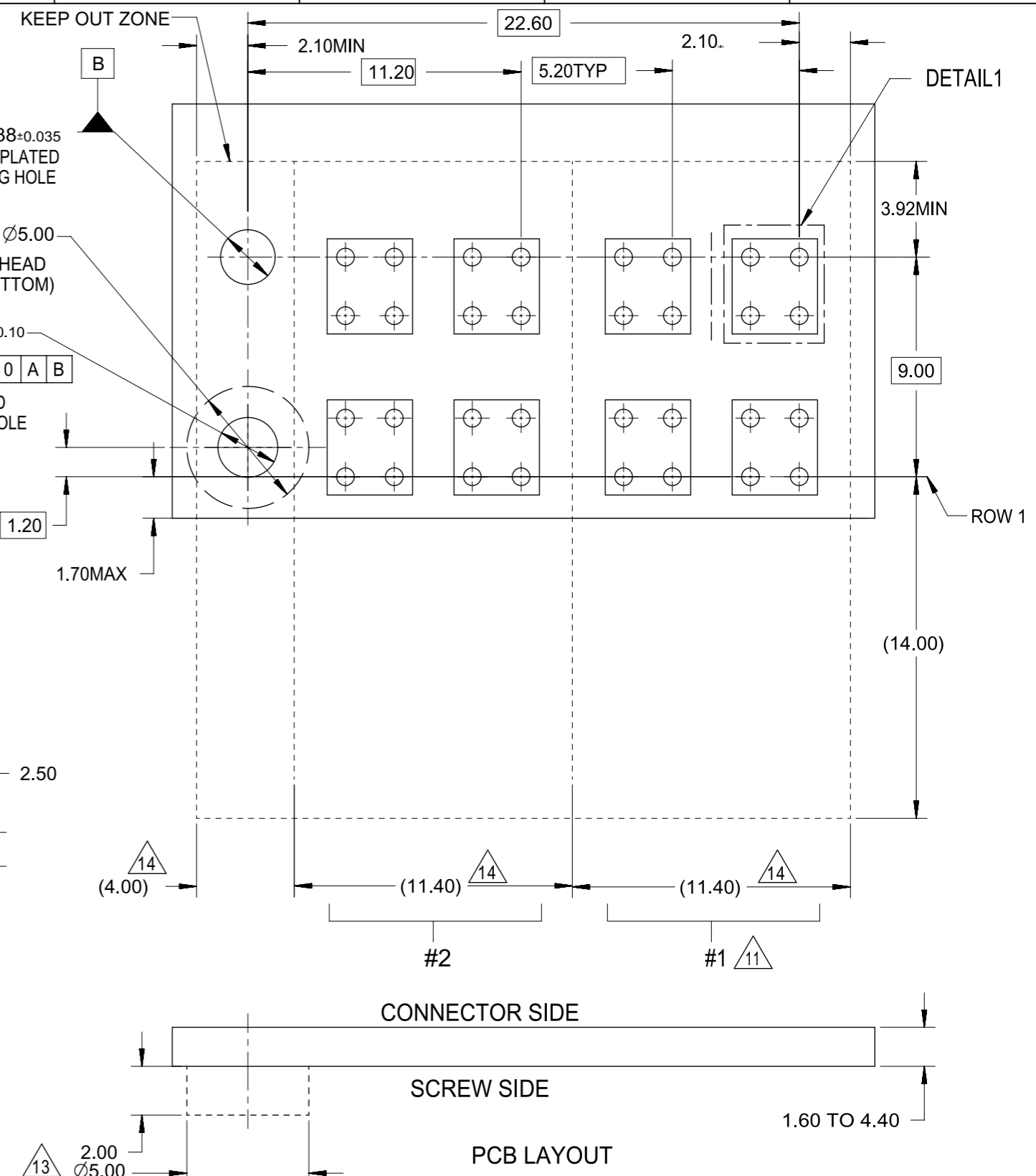
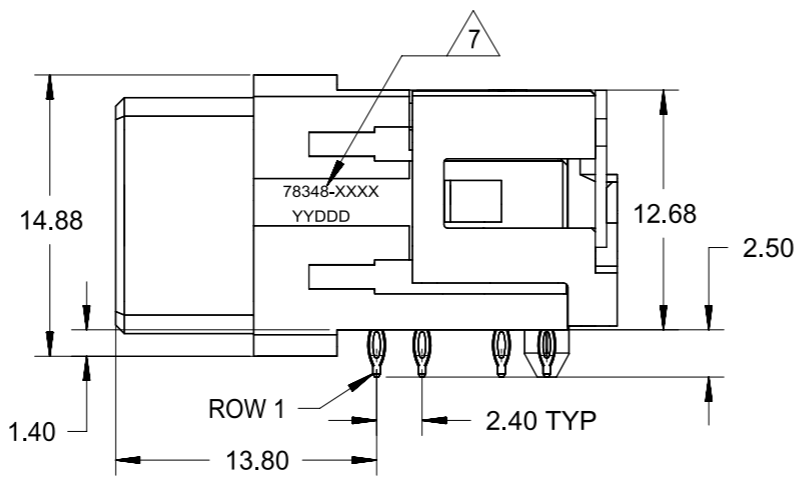
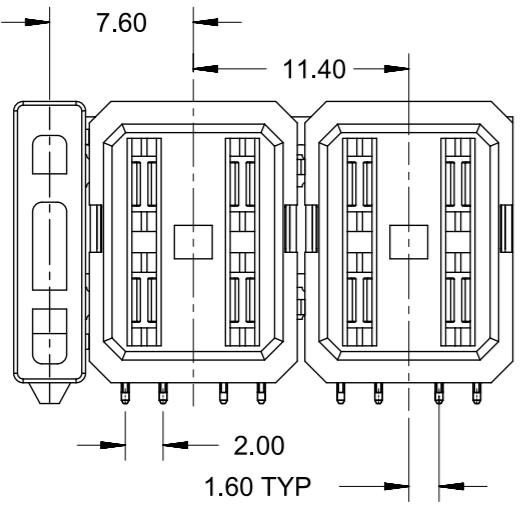
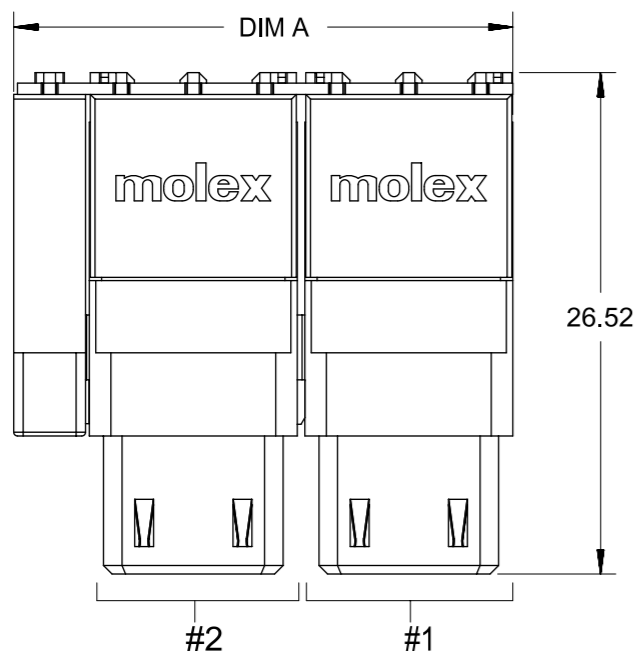


DISTANCE BETWEEN ROW A AT FULL MATED CONDITION

- REFER TO MOLEX PRODUCT SPECIFICATION PS-78213-001 FOR PLATED THROUGH HOLE SPECIFICATIONS AND TORQUE FORCE.
- MATES WITH 78347-**** or 78211-**** or 78399
- PART NUMBER AND YEAR-DAY CODE. CAN BE AT THE OPPOSITE SIDE.
- ADD 11.4mm FOR EACH ADDITIONAL POWER MODULE.
- THE DETAILS FOR LEFT & RIGHT HOLD DOWN OPTION ARE SHOWN IN SHEET 2 AND SHEET 3 RESPECTIVELY.
- CONNECTORS ARE PACKED IN TRAY
- FIRST POWER MODULE (#1) STARTS FROM THE RIGHT.
- REFER TO SD-78247-001 FOR DETAILS OF THE POWER MODULE.
- ALL PARTS ARE SHIPPED WITH A 2-32 TYPE AB SELF-TAPPING SCREW PART NUMBER 73726-0000.
- COMPONENT KEEP AWAY ZONE FROM CONNECTOR

QUALITY SYMBOLS A = 0 E = 0 EP = 0 ▼ = 0 C = 0 ⊗ = 0 ■ = 0 ▽ = 0	THIS DRAWING CONTAINS INFORMATION THAT IS PROPRIETARY TO MOLEX ELECTRONIC TECHNOLOGIES, LLC AND SHOULD NOT BE USED WITHOUT WRITTEN PERMISSION					
	REMASTER TO NX EC NO: 167794 DRWN: JSGOH01 CHK'D: APPR: SHONG	2017/11/08 2017/11/27	GENERAL TOLERANCES (UNLESS SPECIFIED)			
			ANGULAR TOL ± 3.0 °		MM ONLY	NTS
			4 PLACES ±	3 PLACES ±	DRWN BY	DATE
DRAFT WHERE APPLICABLE MUST REMAIN WITHIN DIMENSIONS		2 PLACES ± 0.25	1 PLACE ±	0 PLACES ±	KJKOH 2008/09/25 LNG 2008/10/29 SHONG 2011/02/08	IMPACT POWER, 3 PAIR R/A RECEPT W/HOLD DOWN PRESS-FIT
B6 REV		A3 THIRD ANGLE PROJECTION		PRODUCT CUSTOMER DRAWING		
RELEASE STATUS P1 RELEASE DATE 27.11.2017 10:47:54		SERIES 78348 MATERIAL NUMBER SEE TABLE CUSTOMER GENERAL MARKET		DOCUMENT NUMBER SD-78348-001 DOC TYPE PSD DOC PART 001 SHEET NUMBER 1 OF 4		

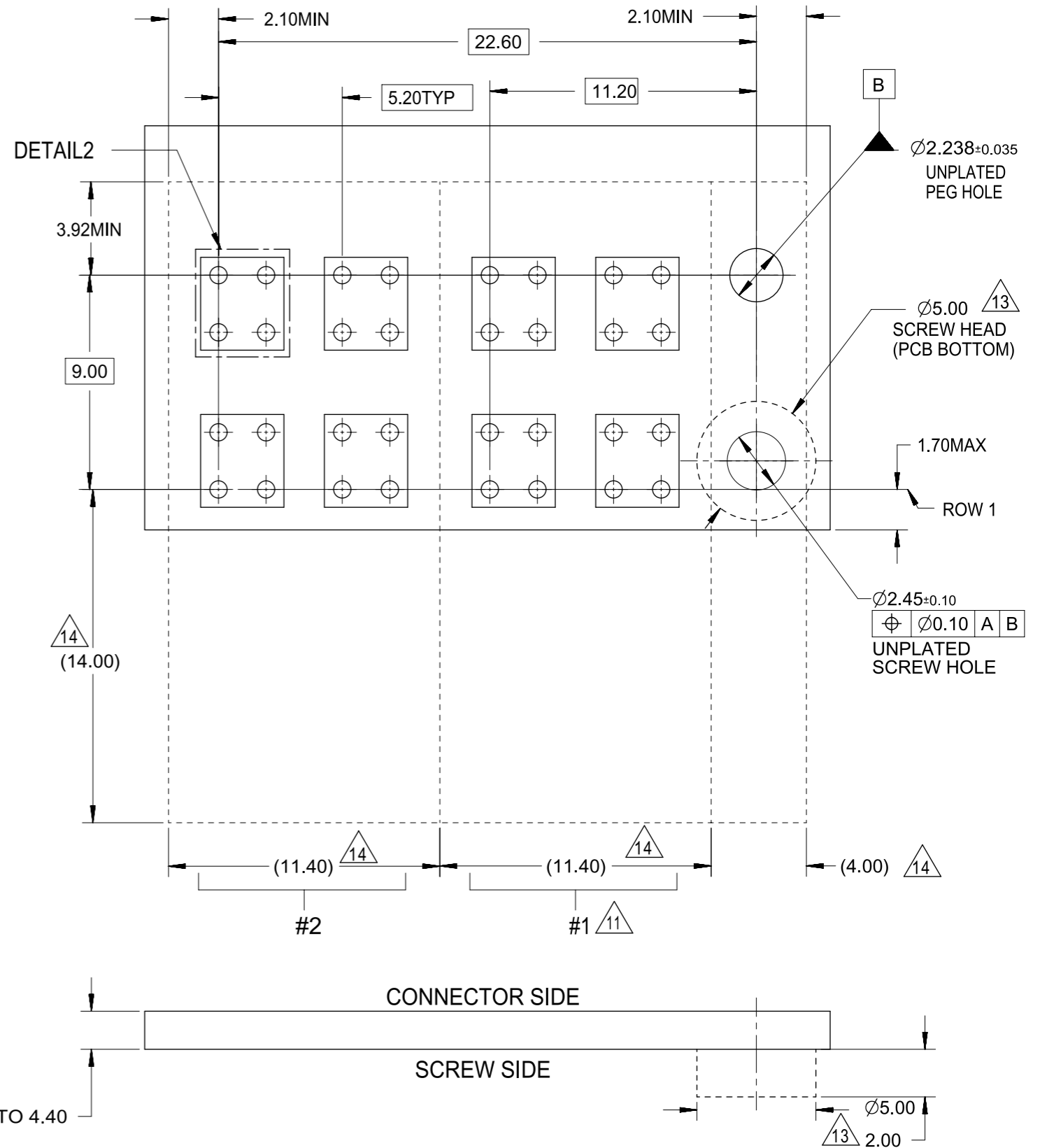
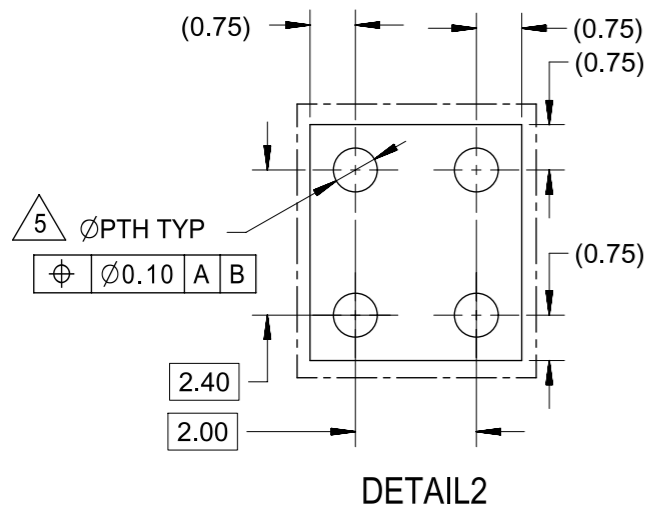
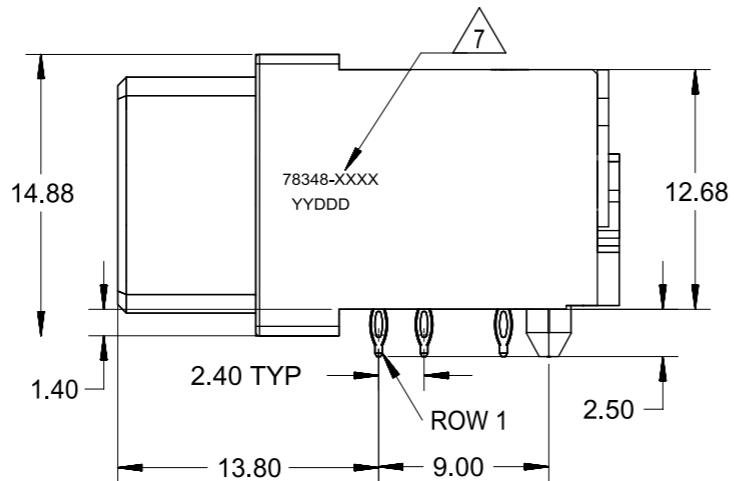
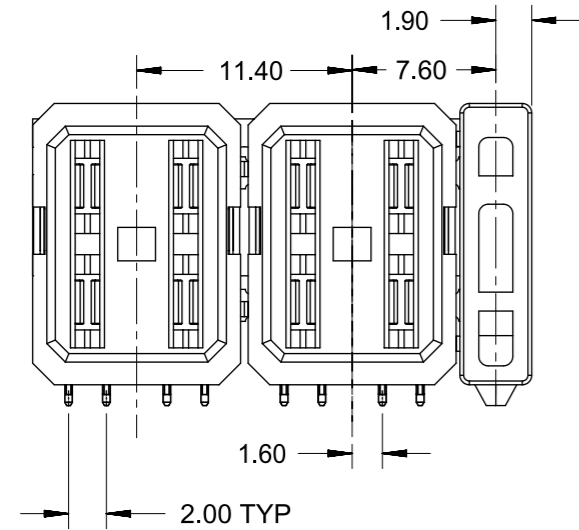
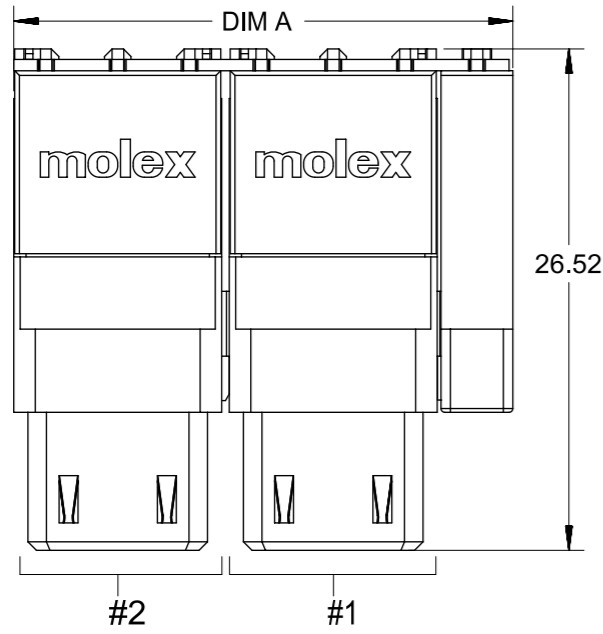
LEFT HOLD DOWN OPTION



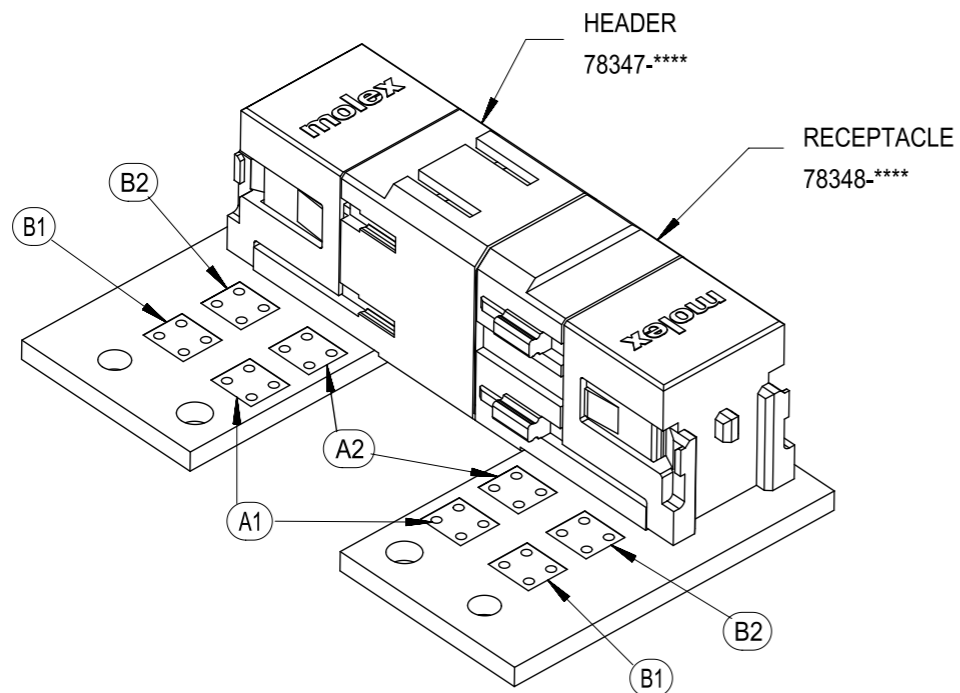
THIS DRAWING CONTAINS INFORMATION THAT IS PROPRIETARY TO MOLEX ELECTRONIC TECHNOLOGIES, LLC AND SHOULD NOT BE USED WITHOUT WRITTEN PERMISSION

QUALITY SYMBOLS	REMASTER TO NX	EC NO: 167794	DRWN: JSGOH01	CHK'D: SHONG	APPR: SHONG	GENERAL TOLERANCES (UNLESS SPECIFIED)		DIMENSION UNITS		SCALE		
						4 PLACES ±	MM ONLY	NTS				
▽A = 0		2017/11/08		2017/11/27		ANGULAR TOL ± 3.0 °	DRWN BY	DATE		2008/09/25		IMPACT POWER, 3 PAIR R/A RECEPT W/HOLD DOWN PRESS-FIT
▽E = 0						2 PLACES ±	CHK'D BY	DATE		2008/10/29		
▽F = 0						1 PLACE ±	APPR BY	DATE		2011/02/08		PRODUCT CUSTOMER DRAWING
▽C = 0						0 PLACES ±	DRAWING SIZE		THIRD ANGLE PROJECTION		SERIES: 78348 MATERIAL NUMBER: SEE TABLE CUSTOMER: GENERAL MARKET	
▽ = 0						DRAFT WHERE APPLICABLE MUST REMAIN WITHIN DIMENSIONS		A3		DOCUMENT NUMBER: SD-78348-001 DOC TYPE: PSD DOC PART: 001 SHEET NUMBER: 2 OF 4		

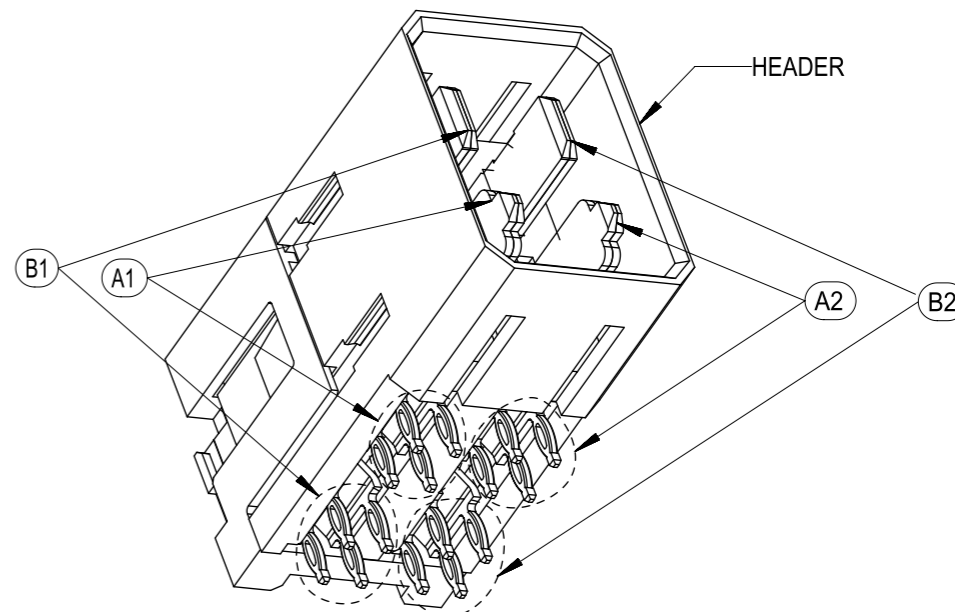
RIGHT HOLD DOWN OPTION



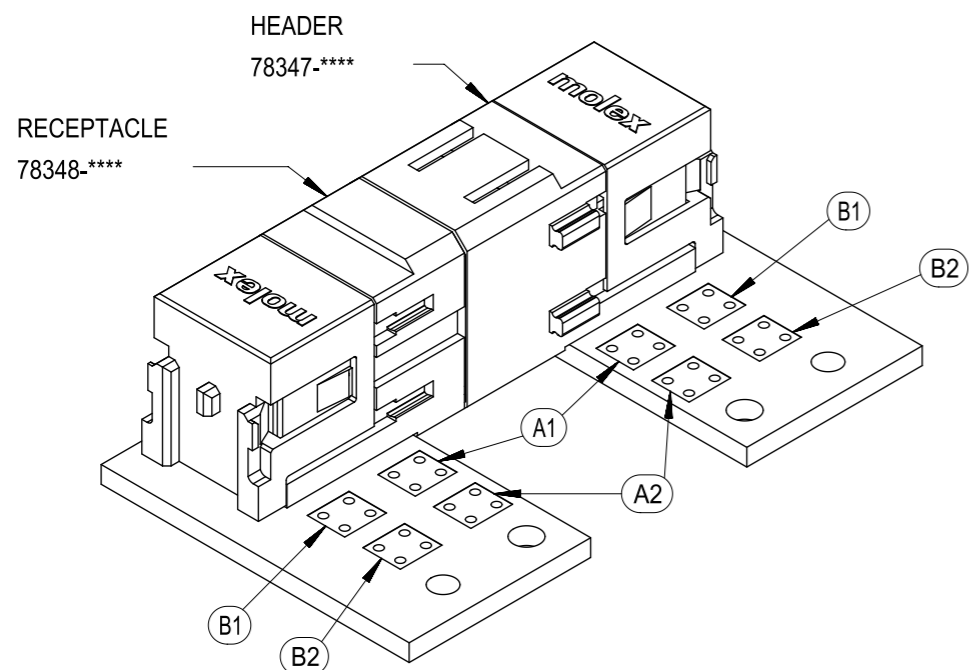
THIS DRAWING CONTAINS INFORMATION THAT IS PROPRIETARY TO MOLEX ELECTRONIC TECHNOLOGIES, LLC AND SHOULD NOT BE USED WITHOUT WRITTEN PERMISSION												
QUALITY SYMBOLS	REMASTER TO NX	EC NO: 167794	DRWN: JSGOH01	CHK'D: SHONG	APPR: SHONG	GENERAL TOLERANCES (UNLESS SPECIFIED)		DIMENSION UNITS		SCALE		
						ANGULAR TOL ± 3.0 °		MM ONLY	NTS			
▽A = 0						4 PLACES ±		DRWN BY	DATE			
▽E = 0						3 PLACES ±		KJKOH	2008/09/25			
▽F = 0						2 PLACES ± 0.25		CHK'D BY	DATE			
▽ = 0						1 PLACE ±		LNG	2008/10/29			
▽C = 0						0 PLACES ±		APPR BY	DATE			
⊗ = 0								SHONG	2011/02/08			
■ = 0								DRAWING SIZE	THIRD ANGLE PROJECTION			
▽ = 0								A3				
						DRAFT WHERE APPLICABLE MUST REMAIN WITHIN DIMENSIONS						
RELEASE STATUS			P1	RELEASE DATE		27.11.2017	10:47:54					
								IMPACT POWER, 3 PAIR R/A RECEPT W/HOLD DOWN PRESS-FIT				
								PRODUCT CUSTOMER DRAWING				
								SERIES	MATERIAL NUMBER	CUSTOMER		
								78348	SEE TABLE	GENERAL MARKET		
								DOCUMENT NUMBER		DOC TYPE	DOC PART	SHEET NUMBER
								SD-78348-001		PSD	001	3 OF 4



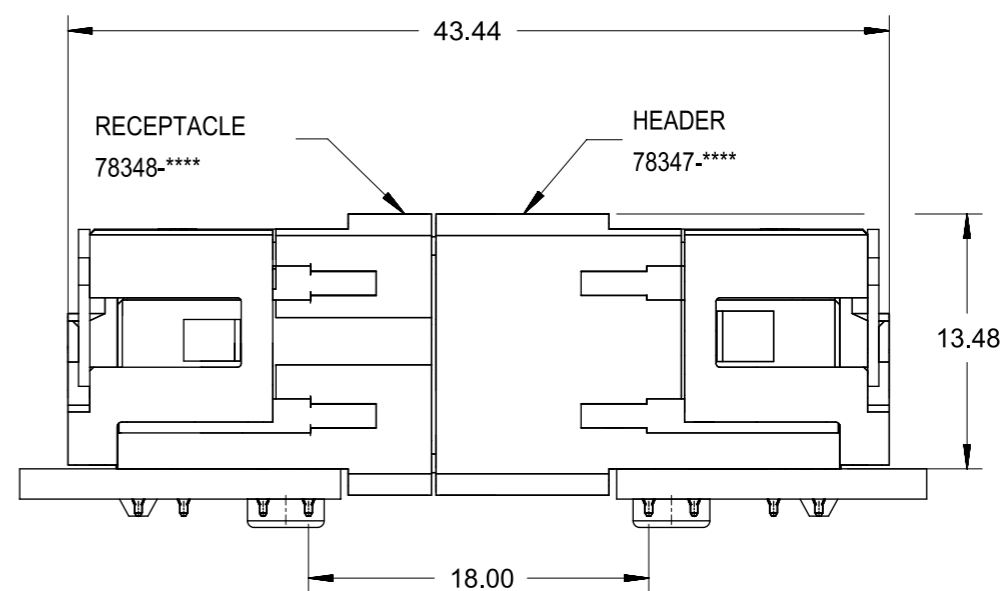
SERIES NUMBER 78348; RIGHT HOLD DOWN:
1 POWER MODULE AND HOLD DOWN REMOVED TO
ILLUSTRATE CIRCUIT PATH OF MATED SYSTEM



PIN NUMBER ASSIGNMENT BASED ON HEADER SIDE:
A1, B1 ON THE LEFT
A2, B2 ON THE RIGHT



SERIES HOLD DOWN 78348; LEFT HOLD DOWN:
1 POWER MODULE AND HOLD DOWN REMOVED TO
ILLUSTRATE CIRCUIT PATH OF MATED SYSTEM



MATED SYSTEM OF 78347 & 78348

QUALITY SYMBOLS		THIS DRAWING CONTAINS INFORMATION THAT IS PROPRIETARY TO MOLEX ELECTRONIC TECHNOLOGIES, LLC AND SHOULD NOT BE USED WITHOUT WRITTEN PERMISSION															
▽A	= 0	REMASTER TO NX EC NO: 167794 DRWN: JSGOH01 CHK'D: REV APPR: SHONG	GENERAL TOLERANCES (UNLESS SPECIFIED)	DIMENSION UNITS		SCALE											
▽E	= 0			MM ONLY		NTS											
▽F	= 0			DRWN BY		DATE											
▽G	= 0			4 PLACES ±		KJKOH		2008/09/25		IMPACT POWER, 3 PAIR R/A RECEPT W/HOLD DOWN PRESS-FIT							
▽H	= 0			3 PLACES ±		CHK'D BY		DATE									
▽I	= 0			2 PLACES ± 0.25		LNG		2008/10/29		PRODUCT CUSTOMER DRAWING							
▽J	= 0			1 PLACE ±		APPR BY		DATE		SERIES		MATERIAL NUMBER		CUSTOMER			
▽K	= 0			0 PLACES ±		SHONG		2011/02/08		78348		SEE TABLE		GENERAL MARKET			
▽L	= 0			DRAFT WHERE APPLICABLE MUST REMAIN WITHIN DIMENSIONS		DRAWING SIZE		THIRD ANGLE PROJECTION		DOCUMENT NUMBER		DOC TYPE		DOC PART		SHEET NUMBER	
▽M	= 0			B6		A3				SD-78348-001		PSD		001		4 OF 4	