

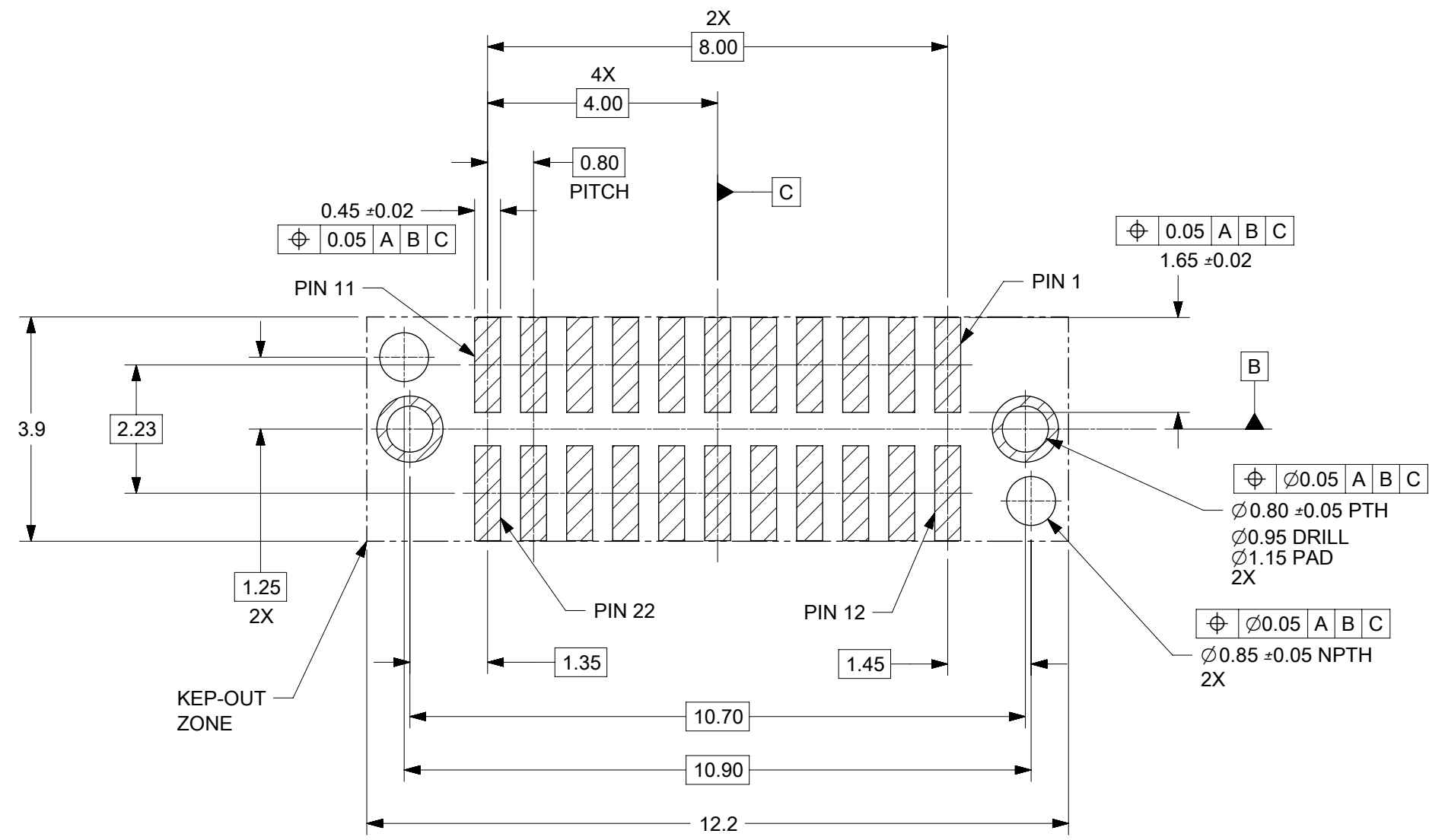
PART NUMBER	MEZZANINE STACK HT.	CKT SIZE	DIFF PAIRS	SPARE CKTS	DIM A	DIM B	DIM C	DIM D	DIM J
173305-0107	7mm	22	6	2	12.0	10.90	10.70	1.40	5.1
173305-0115	7mm	60	16	8	27.2	26.10	25.90	1.40	5.1
173305-0116	8mm	60	16	8	27.2	26.10	25.90	2.40	5.1

- NOTES:
- MATERIALS: HOUSING: LCP, UL94V-0, BLACK  
CONTACTS: HIGH PERFORMANCE COPPER ALLOY
  - FINISH: 0.76 μm MIN SELECT GOLD IN CONTACT AREA  
SELECT MATTE TIN IN TAIL AREA, OVERALL NICKEL
  - PRODUCT SPECIFICATION: PS-173300-0001
  - PACKAGING SPECIFICATION: TAPE AND REEL  
PER PK-70873-6003
  - MATES WITH SPEEDEDGE RECEPTACLE SERIES 173300
  - APPLICATION SPECIFICATION: AS-173300-9999
  - COSMETIC SPECIFICATION: PS-45499-002 CLASS B
  - PART STATUS: CONTACT MOLEX
  - PARTS TO BE SHIPPED WITH PICK & PLACE COVERS.

THIS DRAWING CONTAINS INFORMATION THAT IS PROPRIETARY TO MOLEX ELECTRONIC TECHNOLOGIES, LLC AND SHOULD NOT BE USED WITHOUT WRITTEN PERMISSION

<b>QUALITY SYMBOLS</b> ▽ = 0 ▽ = 0 ▽ = 0 ▼ = 0 ▽ = 0 ⊠ = 0 ■ = 0 ▽ = 0	EC NO: 122646 DRWN: MAZAM CHK'D: JBINGHAM APPR: KLANG	MIGRATED TO NX 2017/09/26 2017/09/28 2017/10/03	<b>GENERAL TOLERANCES (UNLESS SPECIFIED)</b>		DIMENSION UNITS: mm	SCALE: 10:1			
			ANGULAR TOL ± 0.5 °		DRWN BY: JBINGHAM	DATE: 2016/12/05		<b>SPEEDEDGE SINGLE-ENDED PLUG SALES ASSEMBLY DRAWING</b>	
			4 PLACES ± 3 PLACES ± 2 PLACES ± 0.13 1 PLACE ± 0.25 0 PLACES ±		CHK'D BY: KLANG	DATE: 2016/12/05			<b>PRODUCT CUSTOMER DRAWING</b>
			DRAFT WHERE APPLICABLE MUST REMAIN WITHIN DIMENSIONS		APPR BY: KLANG	DATE: 2016/12/20		SERIES: 173305	
<b>A4</b>		<b>B</b>	DRAWING SIZE: B	THIRD ANGLE PROJECTION	DOCUMENT NUMBER: SD-173305-0100		DOC TYPE: PSD	DOC PART: 001	SHEET NUMBER: 1 OF 4

# PCB LAYOUT - 22 CKT



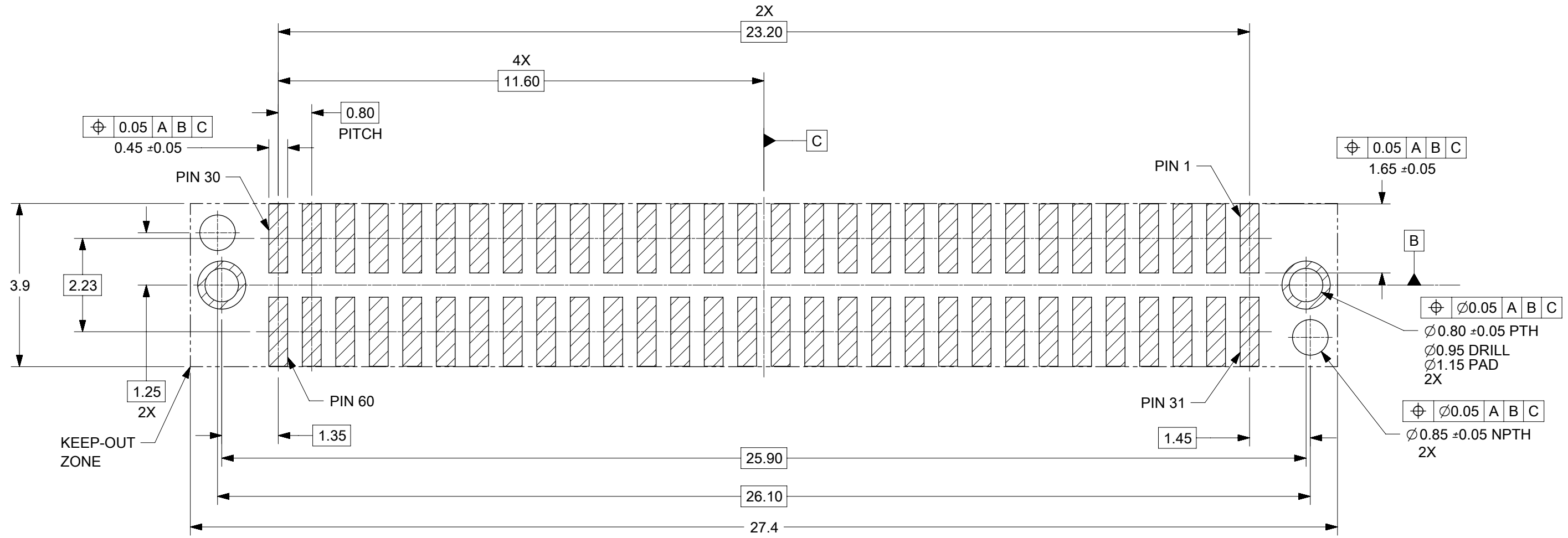
## PCB LAYOUT (COMPONENT SIDE)

SOLDER PASTE THICKNESS: 0.11 MIN  
 DATUM **A** IS THE BOTTOM SURFACE OF THE PCB

NOTE:  
 PIN NUMBERING IS FOR REFERENCE ONLY.  
 OTHER PIN NUMBERS WILL NOT AFFECT THE  
 OPERATION OF THE CONNECTOR.

THIS DRAWING CONTAINS INFORMATION THAT IS PROPRIETARY TO MOLEX ELECTRONIC TECHNOLOGIES, LLC AND SHOULD NOT BE USED WITHOUT WRITTEN PERMISSION													
<b>QUALITY SYMBOLS</b> ▽ = 0 ▽ = 0 ▽ = 0 ▼ = 0 ▽ = 0 ⊠ = 0 ■ = 0 ▽ = 0	EC NO: 122646 DRWN: MAZAM CHKD: JBINGHAM APPR: KLANG MIGRATED TO NX	GENERAL TOLERANCES (UNLESS SPECIFIED)		DIMENSION UNITS	SCALE								
		ANGULAR TOL ± 0.5 °		mm	10:1								
		4 PLACES ±		DRWN BY	DATE								
		3 PLACES ±		JBINGHAM	2016/12/05	CHK'D BY		DATE		SPEEDEDGE SINGLE-ENDED PLUG SALES ASSEMBLY DRAWING			
		2 PLACES ± 0.13		KLANG	2016/12/05	APPR BY		DATE					
		1 PLACE ± 0.25		KLANG	2016/12/20	DRAWING SIZE		THIRD ANGLE PROJECTION		PRODUCT CUSTOMER DRAWING			
		0 PLACES ±		DRAFT WHERE APPLICABLE MUST REMAIN WITHIN DIMENSIONS		B			SERIES	MATERIAL NUMBER	CUSTOMER		
A4		B		173305		SEE CHART		GENERAL MARKET					
RELEASE STATUS P1 RELEASE DATE 03.10.2017 19:19:23				DOCUMENT NUMBER SD-173305-0100		DOC TYPE PSD		DOC PART 001		SHEET NUMBER 2 OF 4			

# PCB LAYOUT - 60 CKT



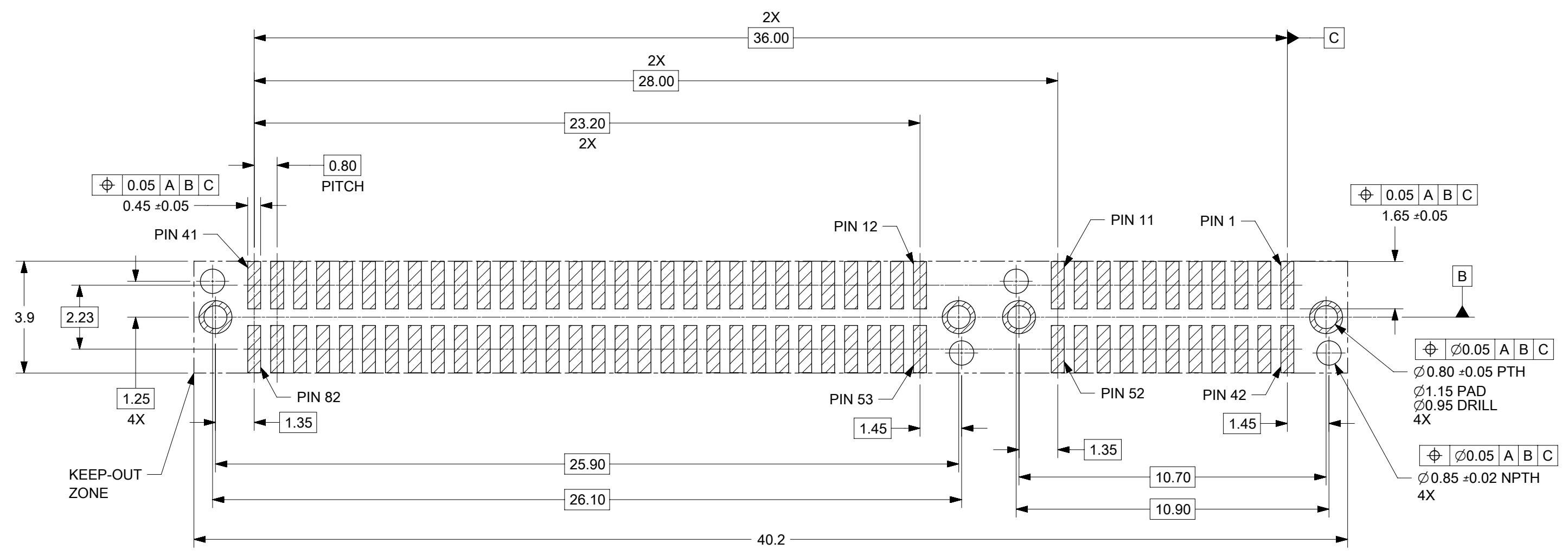
## PCB LAYOUT (COMPONENT SIDE)

SOLDER PASTE THICKNESS: 0.11 MIN  
 DATUM **A** IS THE BOTTOM SURFACE OF THE PCB

NOTE:  
 PIN NUMBERING IS FOR REFERENCE ONLY.  
 OTHER PIN NUMBERS WILL NOT AFFECT THE  
 OPERATION OF THE CONNECTOR.

THIS DRAWING CONTAINS INFORMATION THAT IS PROPRIETARY TO MOLEX ELECTRONIC TECHNOLOGIES, LLC AND SHOULD NOT BE USED WITHOUT WRITTEN PERMISSION														
<b>QUALITY SYMBOLS</b> ▽ = 0 ▽ = 0 ▽ = 0 ▼ = 0 ▽ = 0 ⊠ = 0 ■ = 0 ▽ = 0	EC NO: 122646 DRWN: MAZAM CHKD: JBINGHAM APPR: KLANG	2017/09/26 2017/09/28 2017/10/03	GENERAL TOLERANCES (UNLESS SPECIFIED)		DIMENSION UNITS	SCALE								
			ANGULAR TOL ± 0.5 °		mm	10:1								
			4 PLACES ±		DRWN BY	DATE								
			3 PLACES ±		JBINGHAM	2016/12/05	CHK'D BY		DATE	SPEEDEDGE SINGLE-ENDED PLUG SALES ASSEMBLY DRAWING				
			2 PLACES ± 0.13		KLANG	2016/12/05	APPR BY		DATE					
			1 PLACE ± 0.25		KLANG	2016/12/20	DRAWING SIZE		THIRD ANGLE PROJECTION	PRODUCT CUSTOMER DRAWING				
0 PLACES ±		DRAFT WHERE APPLICABLE MUST REMAIN WITHIN DIMENSIONS		B										
MIGRATED TO NX		SERIES		MATERIAL NUMBER		CUSTOMER		173305 SEE CHART GENERAL MARKET						
A4		173305		SEE CHART		GENERAL MARKET								
REV		DOCUMENT NUMBER		DOC TYPE		DOC PART		SHEET NUMBER						
A4		SD-173305-0100		PSD		001		3 OF 4						

# PCB LAYOUT - 82 CKT



## PCB LAYOUT (COMPONENT SIDE)

SOLDER PASTE THICKNESS: 0.11 MIN  
 DATUM **A** IS THE BOTTOM SURFACE OF THE PCB

NOTE:  
 PIN NUMBERING IS FOR REFERENCE ONLY.  
 OTHER PIN NUMBERS WILL NOT AFFECT THE  
 OPERATION OF THE CONNECTOR.

THIS DRAWING CONTAINS INFORMATION THAT IS PROPRIETARY TO MOLEX ELECTRONIC TECHNOLOGIES, LLC AND SHOULD NOT BE USED WITHOUT WRITTEN PERMISSION												
QUALITY SYMBOLS	EC NO: 122646 DRWN: MAZAM CHK'D: JBINGHAM APPR: KLANG MIGRATED TO NX	GENERAL TOLERANCES (UNLESS SPECIFIED)			DIMENSION UNITS	SCALE						
		ANGULAR TOL ± 0.5 °			mm	7:1						
▽ = 0	EC NO: 122646 DRWN: MAZAM CHK'D: JBINGHAM APPR: KLANG MIGRATED TO NX	4 PLACES ±	DRWN BY	DATE	SPEEDEDGE SINGLE-ENDED PLUG SALES ASSEMBLY DRAWING							
▽ = 0		3 PLACES ±	JBINGHAM	2016/12/05								
▽ = 0		2 PLACES ± 0.13	CHK'D BY	DATE								
▼ = 0		1 PLACE ± 0.25	KLANG	2016/12/05	PRODUCT CUSTOMER DRAWING							
▽ = 0		0 PLACES ±	APPR BY	DATE								
⊠ = 0			KLANG	2016/12/20	SERIES	MATERIAL NUMBER	CUSTOMER					
■ = 0		DRAFT WHERE APPLICABLE MUST REMAIN WITHIN DIMENSIONS		DRAWING SIZE	THIRD ANGLE PROJECTION	173305	SEE CHART	GENERAL MARKET				
▽ = 0				B		DOCUMENT NUMBER		DOC TYPE	DOC PART	SHEET NUMBER		
						SD-173305-0100		PSD	001	4 OF 4		