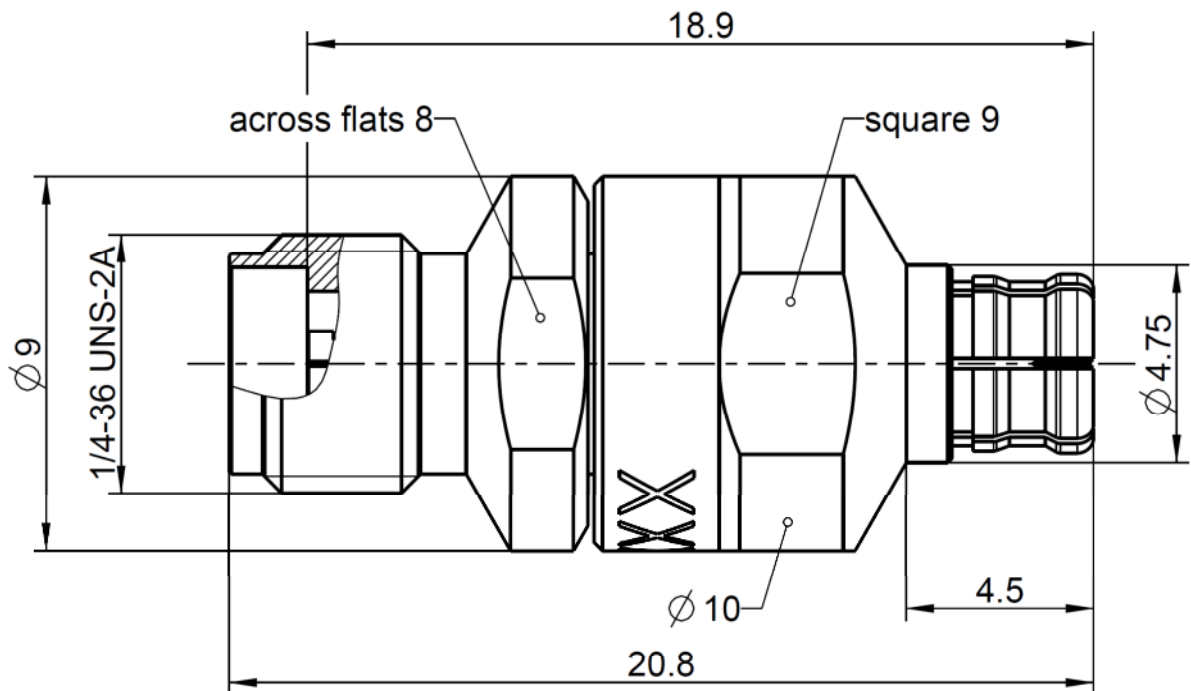


Serial ident.-no.



All dimensions are in mm; tolerances according to ISO 2768 m-H

Interface

RPC-3.50 according to
RPC-3.50 mechanically compatible with
P-SMP according to

IEC 60169-23
RPC-2.92 and SMA
Rosenberger P-SMP standard

Documents

Application note

AN001 "Calibration Services"

Material and plating

Connector parts

Center conductor
Outer conductor RPC-3.50
Outer conductor P-SMP
Dielectric

Material

CuBe
Stainless steel
CuBe
PS

Plating

Gold, min. 1.27 μ m, over nickel
Passivated
Gold, min. 1.27 μ m, over nickel

Dieses Dokument ist urheberrechtlich geschützt • This document is protected by copyright • Rosenberger Hochfrequenztechnik GmbH & Co. KG

RF_35/09.14/6.2

Electrical data

Frequency	DC to 26.5 GHz
Return loss	≥ 32 dB, DC to 4 GHz ≥ 28 dB, 4 GHz to 10 GHz ≥ 23 dB, 10 GHz to 18 GHz ≥ 19 dB, 18 GHz to 26.5 GHz

Mechanical data

	RPC-3.50	P-SMP
Mating cycles	≥ 500	≥ 100 if mating part is full detent ≥ 500 if mating part is limited detent ≥ 1000 if mating part is smooth bore
Maximum torque	1.70 Nm	
Recommended torque	0.90 Nm	
Engagement force		Full detent 68 N Limited detent 45 N Smooth bore 10 N
Disengagement force		Full detent 25 N Limited detent 15N Smooth bore 2.2 N
Gauge	0.00 mm to 0.08 mm	0.00 mm to 0.08 mm

General standard definition

For proper operation the vector network analyzer (VNA) needs a model describing the electrical behaviour of this calibration standard. The different models, units, and terms used will depend on the VNA type and they will have to be entered into the VNA. All values are based on typical geometry and plating.

Offset Z_o / Impedance / Z_o	50 Ω
Offset Delay	63.0641 ps
Length (electrical) / Offset Length	18.90 mm
Offset Loss	2.51 G Ω /s
Loss	0.0137 dB/ $\sqrt{\text{GHz}}$

Environmental data

Operating temperature range ¹	+20 °C to +26 °C
Rated temperature range of use ²	0 °C to +50 °C
Storage temperature range	-40 °C to +85 °C

RoHS compliant

¹ Temperature range over which these specifications are valid.

² This range is underneath and above the operating temperature range, within the calibration adaptor is fully functional and could be used without damage.

Dieses Dokument ist urheberrechtlich geschützt • This document is protected by copyright • Rosenberger Hochfrequenztechnik GmbH & Co. KG

RF_35/09;14/6.2

Declaration of calibration options

Factory Calibration

Standard delivery for this calibration standard includes a Factory Calibration. The Calibration Certificate issued reports individual calibration results, **traceable to Rosenberger standards**, national / international standards are not available. Model based standard definitions are reported in an Agilent/Keysight, Rohde & Schwarz and Anritsu compatible VNA format.

Accredited Calibration

Not available.

For further, more detailed information see application note AN001 on the Rosenberger homepage.

Calibration interval

Recommendation 12 months

Packing

Standard 1 pce in box
Weight 5.3 g/pce

While the information has been carefully compiled to the best of our knowledge, nothing is intended as representation or warranty on our part and no statement herein shall be construed as recommendation to infringe existing patents. In the effort to improve our products, we reserve the right to make changes judged to be necessary.

Draft	Date	Approved	Date	Rev.	Engineering change number	Name	Date
Herbert Babinger	13.10.10	Herbert Babinger	25/04/16	c00	14-1492	M.Ruf	25/04/16

Rosenberger Hochfrequenztechnik GmbH & Co. KG P.O.Box 1260 D-84526 Tittmoning Germany www.rosenberger.de	Tel. : +49 8684 18-0 Email : info@rosenberger.de	Page 3 / 3
--	---	---------------