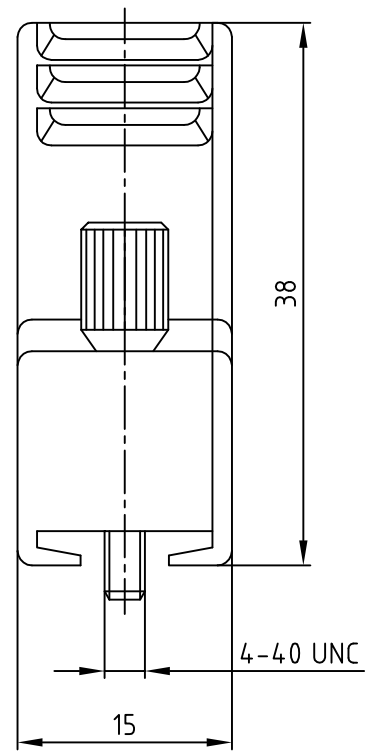
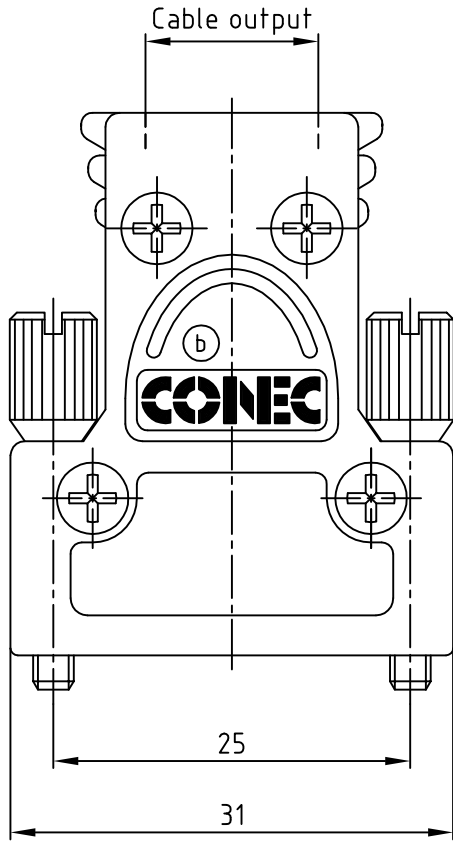


used for: D-SUB



THIS DRAWING MAY NOT BE COPIED OR REPRODUCED IN ANY WAY, AND MAY NOT BE PASSED ON TO A THIRD PARTY WITHOUT WRITTEN PERMISSION.
 OWNERSHIP AND COPYRIGHT OF CONEC GmbH
 DO NOT ALTER CAD DRAWING BY HAND

| | | | | | | | | | | | |
|---------|-------------|------------|-----------|--------|--------------|----------------|---------------------|--|-------------------------------|---------|--|
| finish: | | | tolerance | | | dim. in mm | | | scale: 2:1 | | |
| | | | | | | | | | material: HOOD: DIE-CAST ZINC | | |
| | | | 2003 | date | name | | | title: METAL HOOD 9pos. EMI / RFI SHIELDING with jack screws | | | |
| | | | drawn | 17.10. | Lehmenkühler | | | | | | |
| | | | appd. | 17.10. | Mickenbecker | | | | | | |
| | | | norm | | | | | | | | |
| | | | d-old | | | | dwg no: AutoCAD | | | DIN-A | |
| 1 x b | Ä6677 | 28.04.2017 | Unkrüer | | | | 16K1A1027 | | | 4 | |
| a | Original | | | | | | part no: 600X51209X | | | sh: 1/1 | |
| rev. | description | date | name | | | | | | | | |



part no: 600X51209X