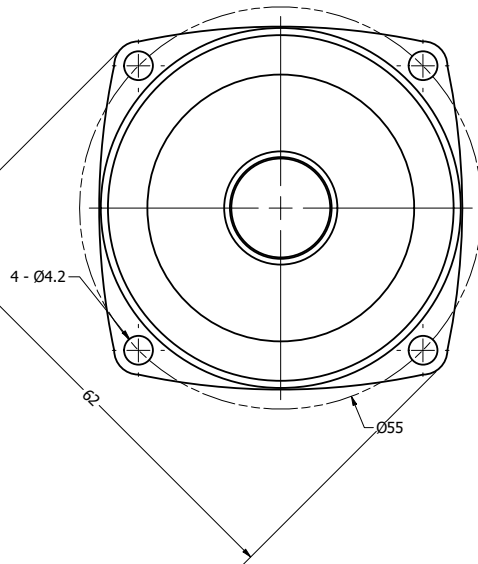
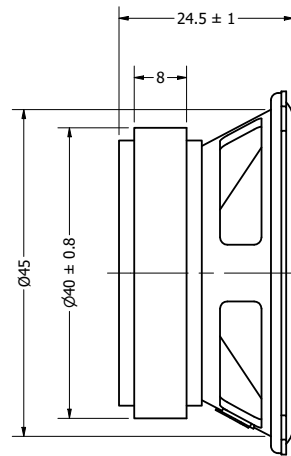


Part Number:	SP500208-3	
	DRAWN	11/30/2018
Description:	Dynamic Speaker	
	CHECKED	12/11/2018
	C.H.	
	APPROVED	12/11/2018
	C.E.	
This document contains data proprietary to DB Unlimited. Any use or reproduction, in any form, without prior written permission of DB Unlimited is prohibited. All terms and conditions can be found at www.dbunlimitedco.com		

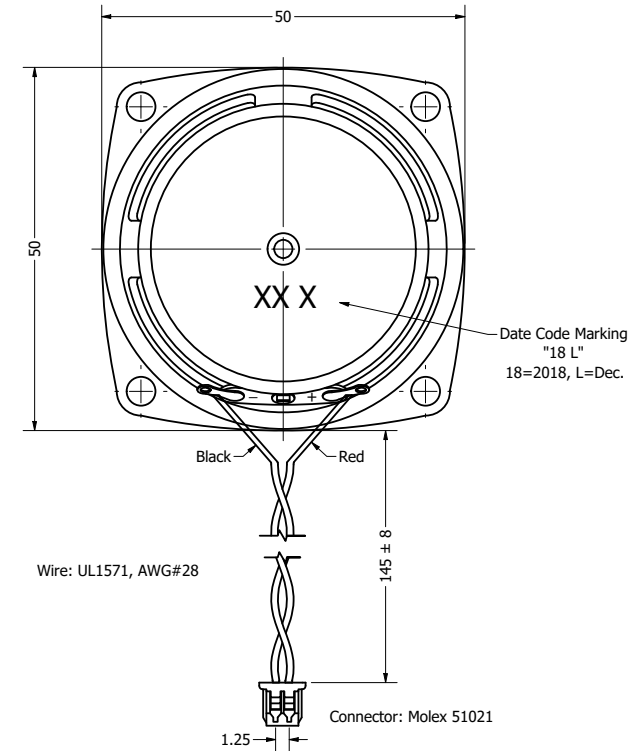
Top View



Side View



Bottom View



Items	Specifications	Conditions
Sound Pressure Level	104	dB (@ 10cm)
Resonant Frequency	220	Hz
Frequency Range	220 ~ 10,000	Hz
Nominal Power	5	W
Max. Power	7	W
Impedance	8	Ω
Cone Material	Paper	
Mount Type	Frame	
Storage Temperature	-25 ~ +55	°C
Operating Temperature	-25 ~ +55	°C

REVISION HISTORY			
REV	DESCRIPTION	DATE	APPROVED
	Released from Engineering	12/11/2018	C.E.
1	Updated Power / Impedance symbol	6/8/2019	C.E.

- NOTES
- 1) All dimensions are in mm unless otherwise noted
 - 2) All tolerances are ± 0.5 mm unless otherwise noted
 - 3) All parts meet RoHS
 - 4) Subject to change or redrawn without notice