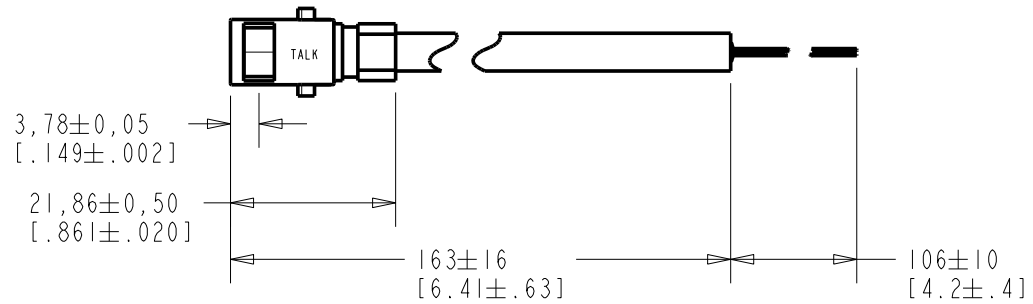
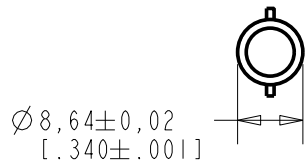
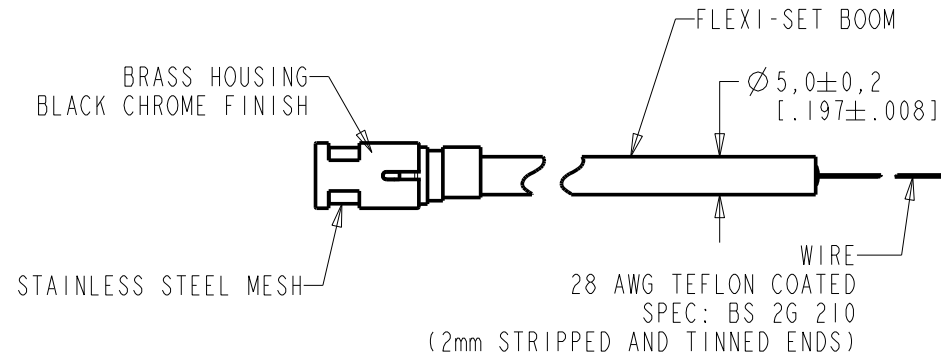


FB-HO-25624-000
SHT 1.1



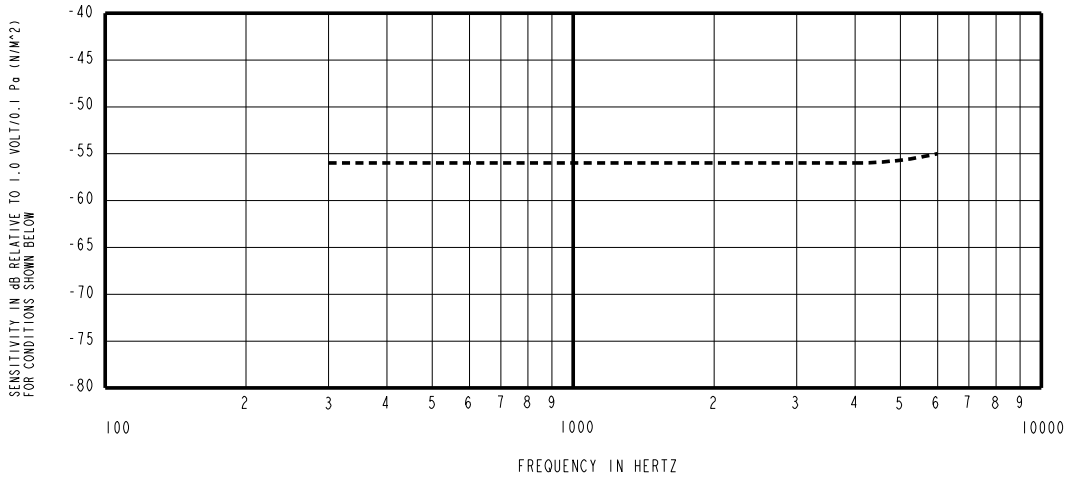
WIRE COLOR			WEIGHT GRAMS
+ve	-ve	OUTPUT	
RED	BLACK	WHITE	29

DIMENSIONS IN MILLIMETERS [INCHES]

Revision	C.O. #	Implementation Date	RELEASE LEVEL	REVISION
C	C10107751	8-19-08	Active	C
B	C10106262	8-16-07		
A	M10101085	6-4-06		

SCALE: 1:1	DR. BY: DATE
DO NOT SCALE DRAWING	MMM 6-1-06
TITLE: BOOM MICROPHONE FB-HO-25624-000	CK. BY: DATE
OUTLINE DRAWING	GJP 6-6-06
SHT 1.1	APP. BY: DATE
	GJP 6-6-06

KNOWLES ELECTRONICS
ITASCA, ILLINOIS U.S.A.



NOTES:

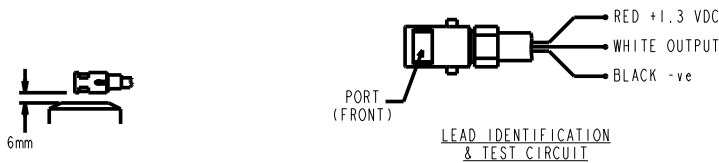
- MICROPHONE TO BE FUNCTIONAL WITH 10 VDC SUPPLY.
- SENSITIVITY VALUES INDICATED ON THIS SPECIFICATION ARE VALID AT 50% HUMIDITY.
- SENSITIVITY

FREQUENCY	MIN	NOM	MAX
300	-60.0	-56.0	-52.0
1000	-59.0	-56.0	-53.0
4000	-60.0	-56.0	-52.0
- TEST CONDITIONS:

HEAD OF BOOM EXPOSED TO 94 dB SPL SWEPT SOUND FIELD AT 6mm FROM VOICE APERTURE.

ARTIFICIAL VOICE:

B & K 4227 MOUTH SIMULATOR.
- FOR MICROPHONE CAPSULE SPEC. SEE WP-23500-000 SHEET 2.1



Revision	C.O. #	Implementation Date	RELEASE LEVEL	REVISION
C	C10107751	8-19-08	Active	C
B	C10106262	8-16-07		
A	M10101085	6-4-06		

KNOWLES ELECTRONICS
ITASCA, ILLINOIS U.S.A.

WHEN TEST LIMITS ARE USED TO ESTABLISH INCOMING INSPECTION ACCEPTANCE/REJECTION CRITERIA, CORRELATION OF TEST EQUIPMENT WITH KNOWLES IS ALSO REQUIRED FOR ELIMINATION OF EQUIPMENT AND TEST METHOD VARIATION		DR. BY	DATE
		MMM	6-1-06
		CK. BY	DATE
		GJP	6-6-06
		APP. BY	DATE
		GJP	6-6-06

TITLE: **BOOM MICROPHONE FB-HO-25624-000**
PERFORMANCE SPECIFICATION **SHT 2.1**