



2.5G SINGLE PORT RJ45 CONNECTOR

AR11-4598I



- 2.5 Gigabit BaseT for LAN and other Ethernet Applications
- Transmit Open Circuit Inductance (OCL): 180 μ H (Min) @100KHz, 0.1Vrms with 8mA DC Bias
- Industrial Operating Temperature Range: -40°C to +85°C

Electrical Specifications @ 25°C

| OCL(μ H Min) @ 100KHz, 0.1V | Turns Ratio @100KHz, 0.1V (\pm 5%) | | | | CMR (dB Min) | CDMR (dB Min) | HI-POT 1.0mA, 60S |
|-------------------------------------|------------------------------------------|--------------|--------------|---------------|-----------------|------------------|----------------------|
| With 8mA DC Bias | P2-P3: J1-J2 | P4-P5: J3-J6 | P7-P8: J4-J5 | P9-P10: J7-J8 | 30-150MHz | 10-150MHz | INPUT TO OUTPUT |
| 180 | 1:1 | 1:1 | 1:1 | 1:1 | -30 | -45+F/35 | 1200VAC |

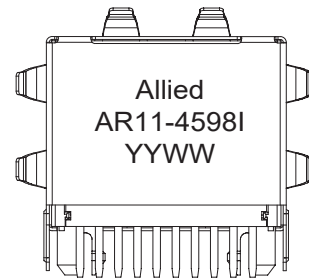
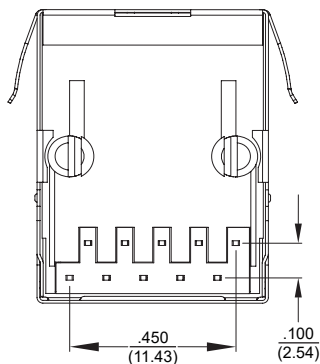
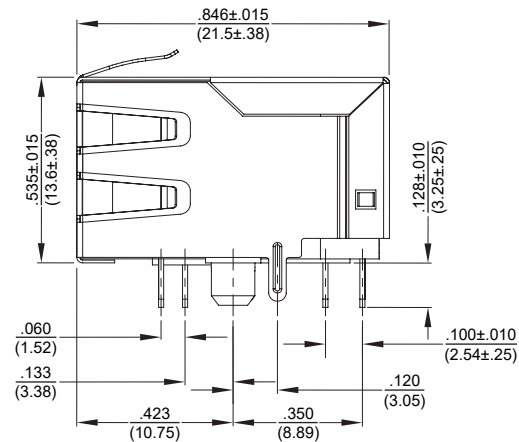
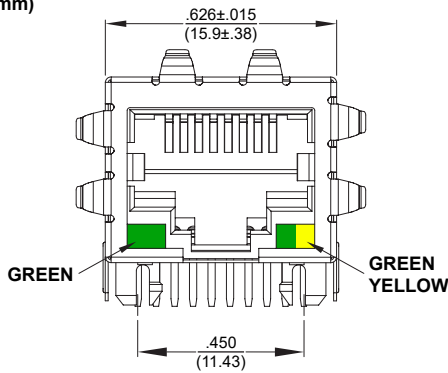
Electrical Specifications @ 25°C

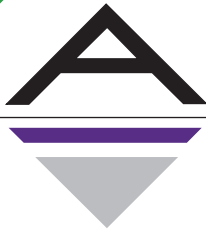
| Insertion Loss (dB Max) | | | Return Loss Phy Side (dB Min) | | Return Loss Line Side (dB Min) | | Cross Talk (dB Min) |
|----------------------------|------------|------------|----------------------------------|--------------------|-----------------------------------|--------------------|------------------------|
| 1-100MHz | 100-125MHz | 125-150MHz | 1-40MHz | 40-150MHz | 1-40MHz | 40-150MHz | 1-150MHz |
| -1.0 | -1.2 | -2.0 | -20 | -20+15*Log10(F/40) | -20 | -20+15*Log10(F/40) | -40 |

All specifications subject to change without notice.

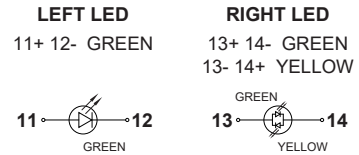
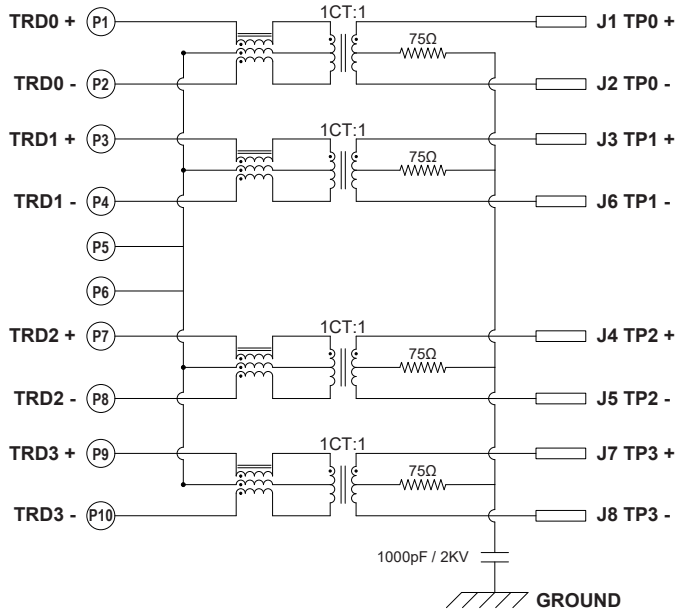
MECHANICAL

Dimensions: $\frac{\text{inch}}{\text{mm}}$





SCHMATICS

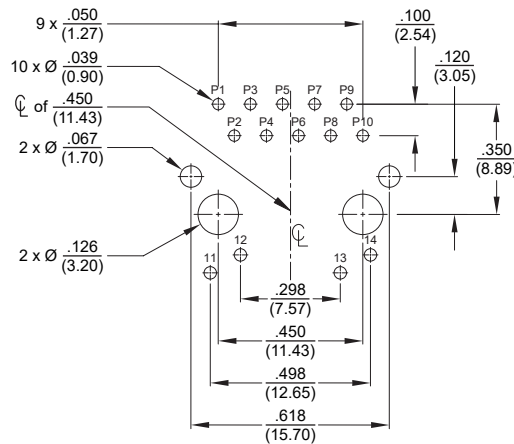


| Standard LED | Wavelength | Forward Voltage |
|--------------|------------|-----------------|
| Green | 565nm | 2.5V Max |
| Yellow | 585nm | 2.5V Max |

*With a forward current of 20mA

PCB LAYOUT

Dimensions: $\frac{\text{inch}}{\text{mm}}$



Tolerance $\pm .002$ (0.05mm)

NOTES

- Shield:** 0.20mm Thickness Brass C2680 H
Plating Nickel 20 μ " Min.
- Housing:** Plastic: Nylon 66, Glass Fiber Filled
Polyester UL94V-0 Standard Color Black
- Contact Pin:** Plastic: Nylon 66, Glass Fiber Filled
Polyester UL94V-0 Standard Color Black
Pin: 0.35mm Thickness Phosphor Bronze C5210 EH
Plating: Nickel 30 μ " - 60 μ " for all and Sn 100% and Gold Plating 30 μ "
- Insert Pin:** Plastic: Nylon 66, Glass Fiber Filled
Polyester UL94V-0 Standard Color Black
Pin: 0.35mm Thickness SUS430
Plating: Sn all over 30 μ " - 60 μ " Nickel