

## 4 Line ESD/EMI Protection for Color LCD Interfaces

### UM4411 DFN8 1.7×1.3

#### General Description

The UM4411 is a low pass filter array with integrated TVS diodes. It is designed to suppress unwanted EMI/RFI signals and provide electrostatic discharge (ESD) protection in portable electronic equipment. This state-of-the-art device utilizes silicon-avalanche technology for superior clamping performance and DC electrical characteristics. It has been optimized for protection of color LCD panels in cellular phones and other portable electronics.

The device consists of four identical circuits comprised of TVS diodes for ESD protection, and a RC network for EMI filtering. A series resistor value of 100Ω and a capacitance value of 10pF are used to achieve 25dB minimum attenuation from 800 MHz to 2.5GHz. The TVS diodes provide effective suppression of ESD voltages in excess of ±15kV (air discharge) and ±8kV (contact discharge) per IEC 61000-4-2, level 4.

The UM4411 is in an 8-pin, RoHS compliant DFN8 package. It measures 1.7mm×1.3mm. The leads are spaced at a pitch of 0.4mm and are finished with lead-free Ni Pd. The small package makes it ideal for use in portable electronics such as cell phones, digital still cameras, and PDAs.

#### Applications

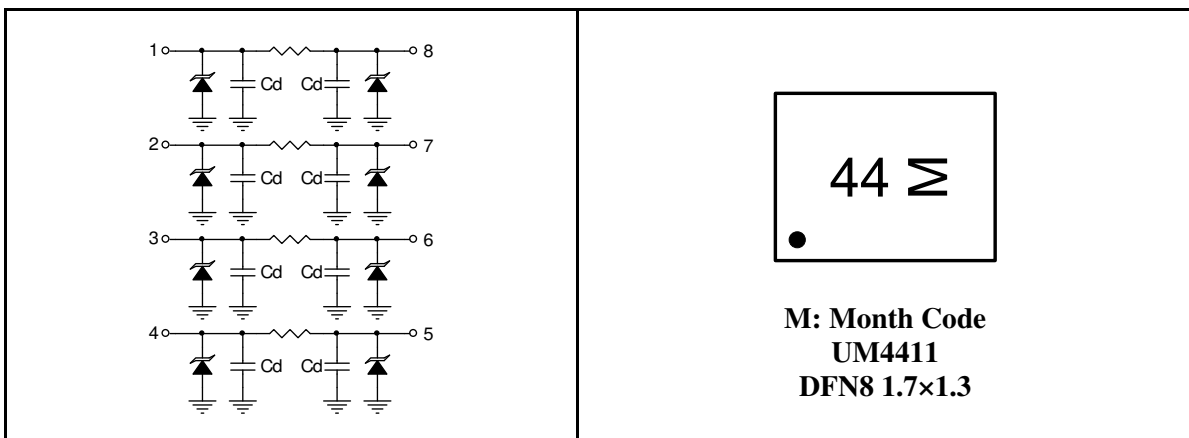
- EMI Filtering and ESD Protection for Data Lines
- Wireless Phones
- Handheld Products
- Notebook Computers
- LCD Displays

#### Features

- EMI/RFI Filter with Integrated TVS for ESD Protection
- ESD Protection to IEC 61000-4-2 (ESD) Level 4, ±15kV (Air), ±8kV (Contact)
- 25dB Minimum Attenuation: 800MHz to 2.5GHz
- Working Voltage: 5V
- Resistor: 100Ω ±15%
- Typical Capacitance: 10pF ( $V_R=2.5V$ )
- Solid-State Technology
- DFN8 Package: 1.7mm×1.3 mm
- Moisture Sensitivity Level 1

#### Pin Configurations

#### Top View



## Ordering Information

Part Number	Packaging Type	Marking Code	Shipping Qty
UM4411	DFN8 1.7×1.3	44	3000pcs/7Inch Tape & Reel

## Absolute Maximum Ratings (Note 1)

Symbol	Parameter	Value	Unit
T <sub>J</sub>	Junction Temperature	125	°C
P <sub>R</sub>	Steady State Power per Resistor @ 25°C	328	mW
T <sub>OP</sub>	Operating Temperature Range	-40 to 85	°C
T <sub>STG</sub>	Storage Temperature Range	-55 to 150	°C
T <sub>L</sub>	Maximum Lead Temperature for Soldering	260	°C

Note 1: Maximum ratings are those values beyond which device damage can occur. Maximum ratings applied to the device are individual stress limit values (not normal operating conditions) and are not valid simultaneously. If these limits are exceeded, device functional operation is not implied, damage may occur and reliability may be affected.

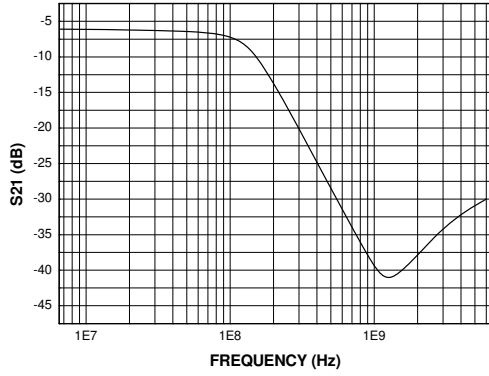
## Electrical Characteristics (T<sub>J</sub>=25°C unless otherwise noted)

Symbol	Parameter	Test Conditions	Min	Typ	Max	Unit
V <sub>RWM</sub>	Reverse Stand-Off Voltage				5.0	V
V <sub>BR</sub>	Reverse Breakdown Voltage	I <sub>T</sub> =1.0mA	6.0	7.0	8.0	V
I <sub>R</sub>	Reverse Leakage Current	V <sub>RWM</sub> =3.3V			100	nA
R <sub>A</sub>	Total Series Resistance	I <sub>R</sub> =10mA Each Line	85	100	115	Ω
C <sub>d</sub>	Total Capacitance	Input to GND, Each Line V <sub>R</sub> =0V, f=1MHz	16	20	24	pF
C <sub>d</sub>	Total Capacitance	Input to GND, Each Line V <sub>R</sub> =2.5V, f=1MHz	9	10	12	pF
f <sub>3dB</sub>	Cut-Off Frequency (Note 2)	Above this frequency, appreciable attenuation occurs		150		MHz

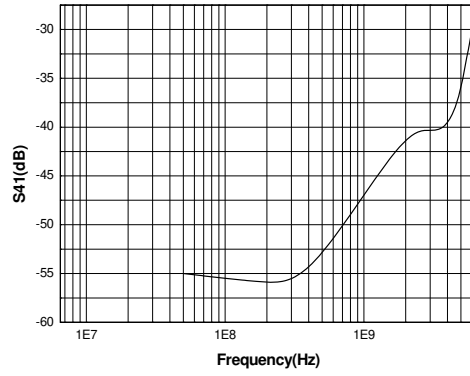
Note 2: 50Ω source and 50Ω load termination.

## Typical Operating Characteristics

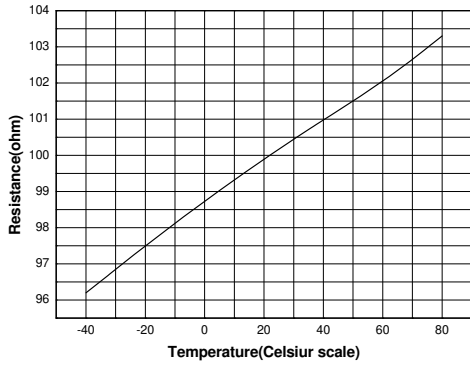
### Typical Insertion Loss S21



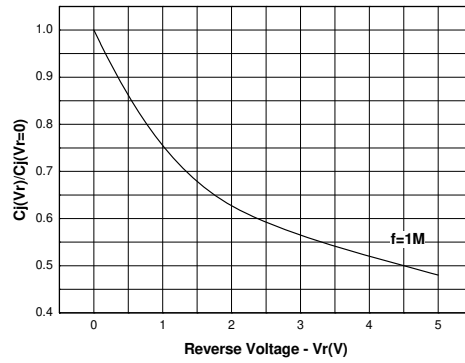
### Analog Crosstalk Curve (S41)



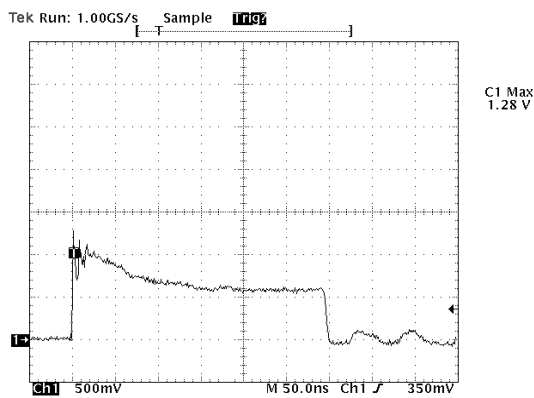
### Typical Resistance vs. Temperature



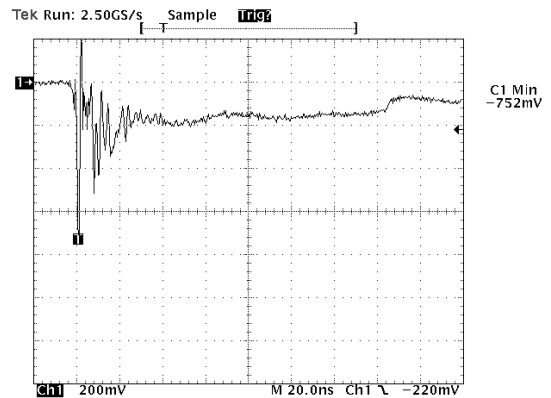
### Capacitance vs. Reverse Voltage



### ESD Clamping (+8kV Contact)



### ESD Clamping (-8kV Contact)



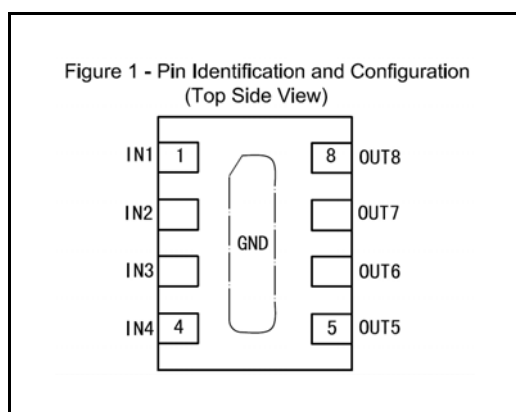
## Applications Information

### Device Connection

The UM4411 is comprised of four identical circuits each consisting of a low pass filter for EMI/RFI suppression and dual TVS diodes for ESD protection. The device is in an 8-pin DFN package. Electrical connection is made to the 8 pins located at the bottom of the device. A center tab serves as the ground connection. The device has a flow through design for easy layout. Pin connections are noted in Figure 1. All path lengths should be kept as short as possible to minimize the effects of parasitic inductance in the board traces. Recommendations for the ground connection are given below.

### Ground Connection Recommendation

Parasitic inductance present in the board layout will affect the filtering performance of the device. As frequency increases, the effect of the inductance becomes more dominant. This effect is given by Equation 1.



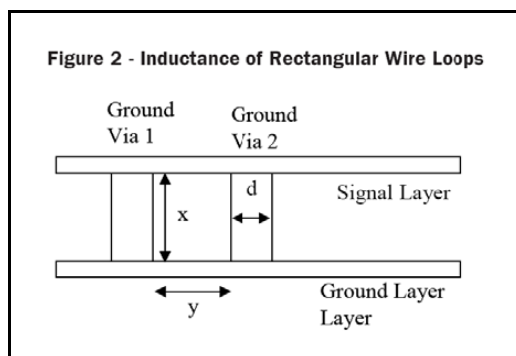
Pin	Identification
1 - 4	Input Lines
5 - 8	Output Lines
Center Tab	Ground

**Equation 1: The Impedance of an Inductor at Frequency XLF**

$$X_{LF}(L, f) = 2 \times \pi \times f \times L$$

Where:  
 L = Inductance (H)  
 f = Frequency (Hz)

Via connections to the ground plane form rectangular wire loops or ground loop inductance as shown in Figure 2. Ground loop inductance can be reduced by using multiple vias to make the connection to the ground plane. Bringing the ground plane closer to the signal layer (preferably the next layer) also reduces ground loop inductance. Multiple vias in the device ground pad will result in a lower inductive ground loop over two exterior vias. Vias with a diameter  $d$  are separated by a distance  $y$  run between layers separated by a distance  $x$ . The inductance of the loop path is given by Equation 2. Thus, decreasing distance  $x$  and  $y$  will reduce the loop inductance and result in better high frequency filter characteristics.



**Equation 2: Inductance of Rectangular Wire Loop**

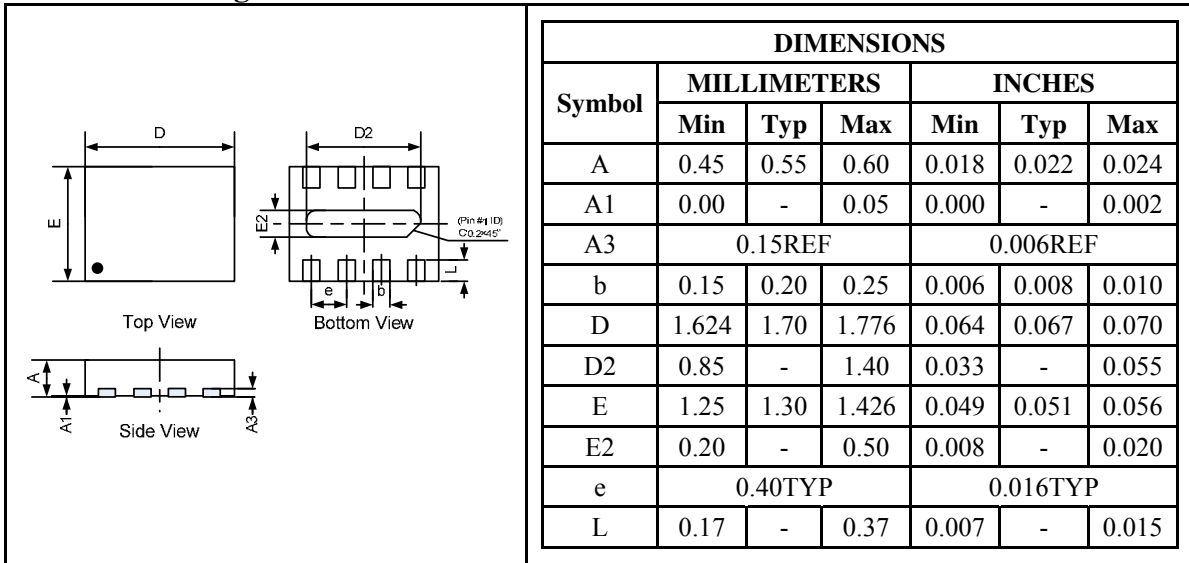
$$L_{RECT}(d, x, y) = 10.16 \times 10^{-9} * \left[ x * \ln \left[ \frac{2+y}{d} \right] + y * \ln \left[ \frac{2+x}{d} \right] \right]$$

Where:  
 d = Diameter of the wire (in)  
 x = Length of wire loop (in)  
 y = Breath of wire loop (in)

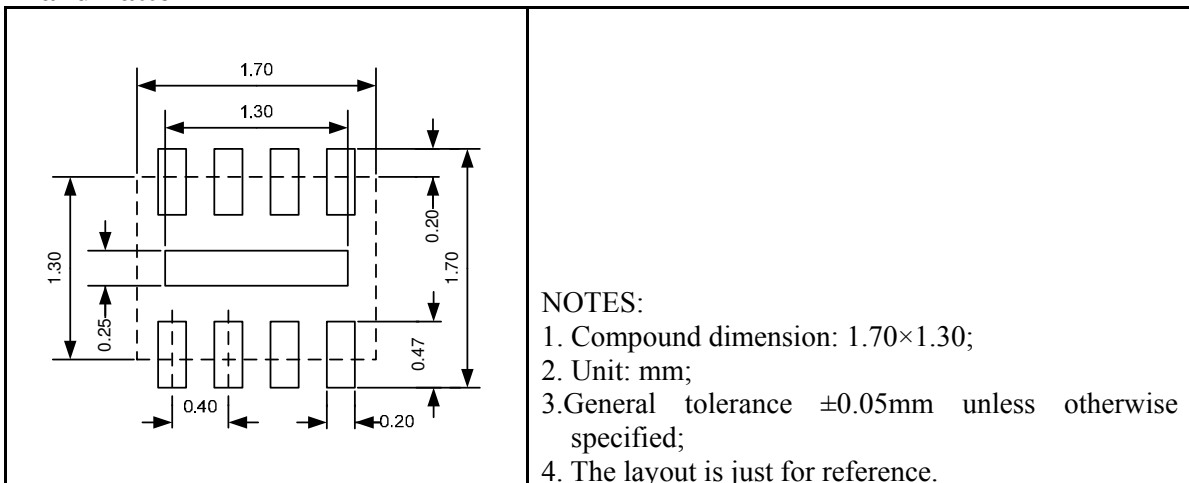
## Package Information

### UM4411: DFN8 1.7×1.3

#### Outline Drawing



#### Land Pattern



#### Tape and Reel Orientation



---

## **GREEN COMPLIANCE**

Union Semiconductor is committed to environmental excellence in all aspects of its operations including meeting or exceeding regulatory requirements with respect to the use of hazardous substances. Numerous successful programs have been implemented to reduce the use of hazardous substances and/or emissions.

All Union components are compliant with the RoHS directive, which helps to support customers in their compliance with environmental directives. For more green compliance information, please visit:

[http://www.union-ic.com/index.aspx?cat\\_code=RoHSDeclaration](http://www.union-ic.com/index.aspx?cat_code=RoHSDeclaration)

## **IMPORTANT NOTICE**

The information in this document has been carefully reviewed and is believed to be accurate. Nonetheless, this document is subject to change without notice. Union assumes no responsibility for any inaccuracies that may be contained in this document, and makes no commitment to update or to keep current the contained information, or to notify a person or organization of any update. Union reserves the right to make changes, at any time, in order to improve reliability, function or design and to attempt to supply the best product possible.



Union Semiconductor, Inc

Add: Unit 606, No.570 Shengxia Road, Shanghai 201210

Tel: 021-51093966

Fax: 021-51026018

Website: [www.union-ic.com](http://www.union-ic.com)