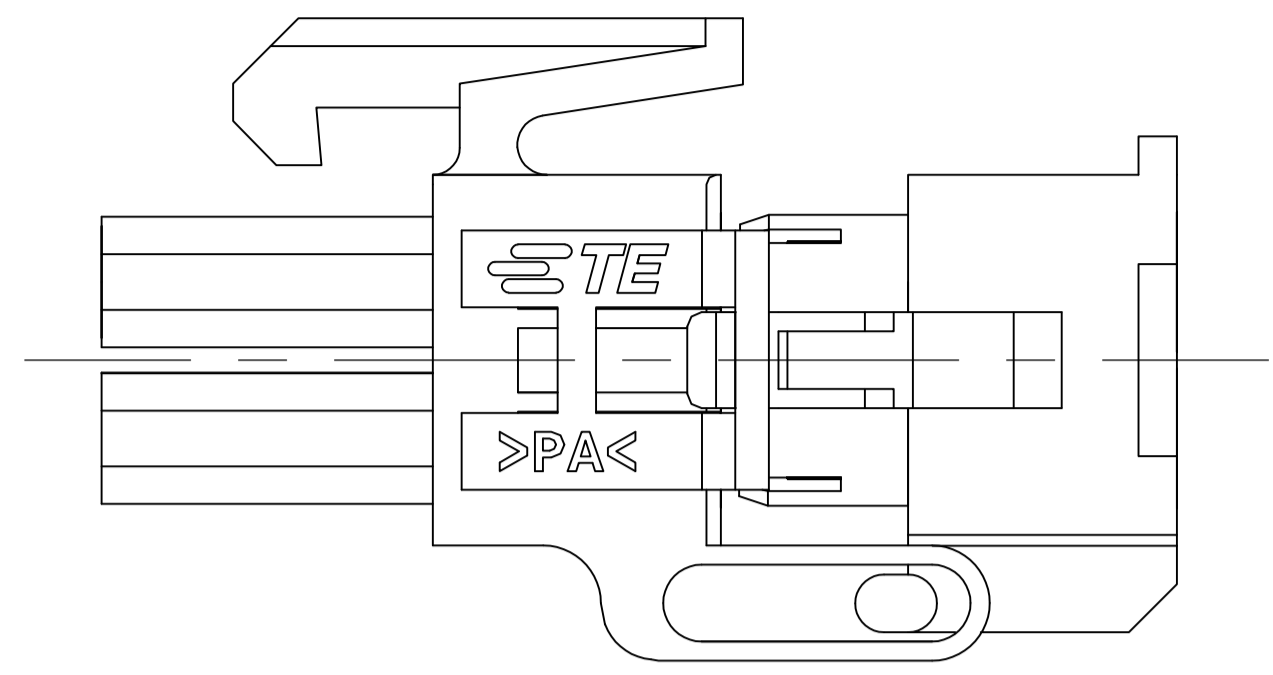
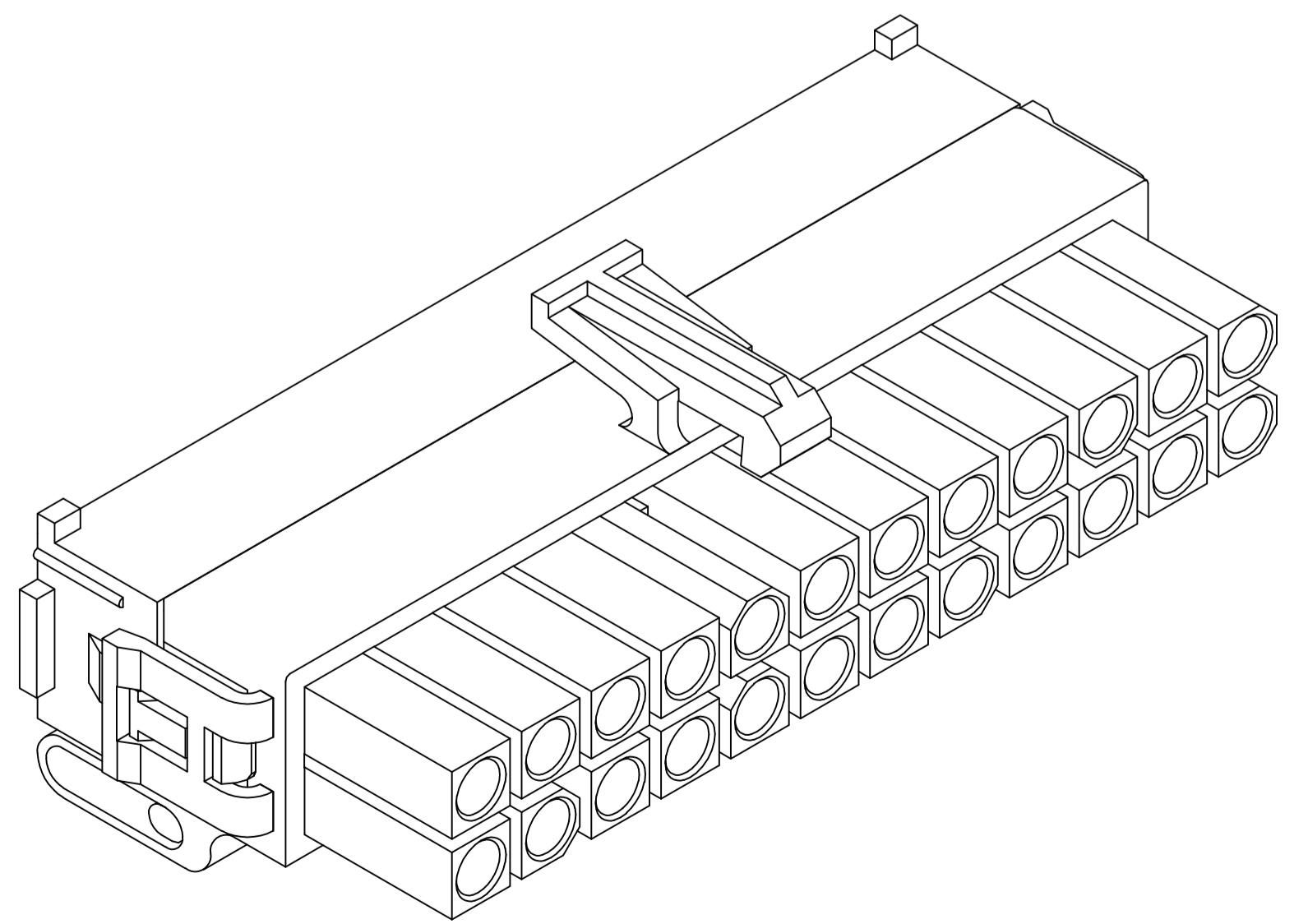
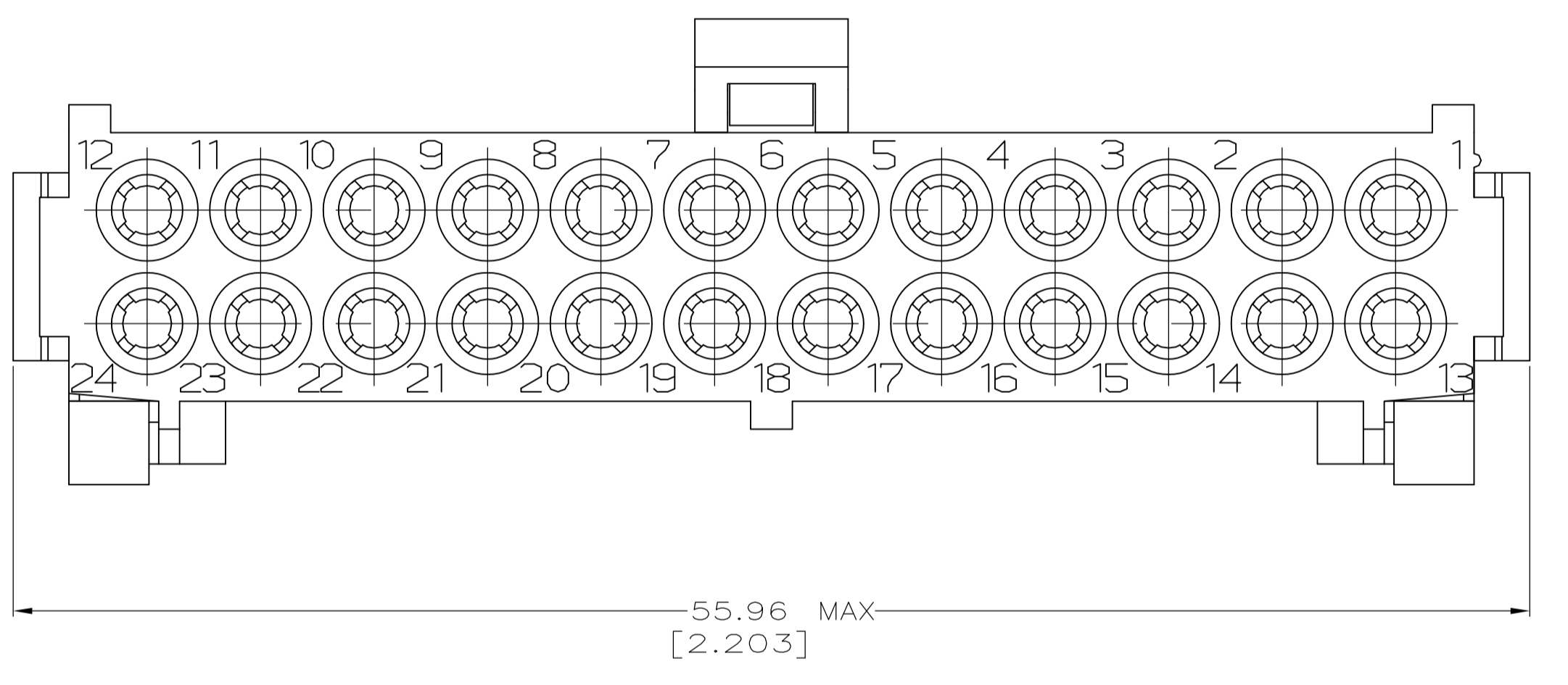
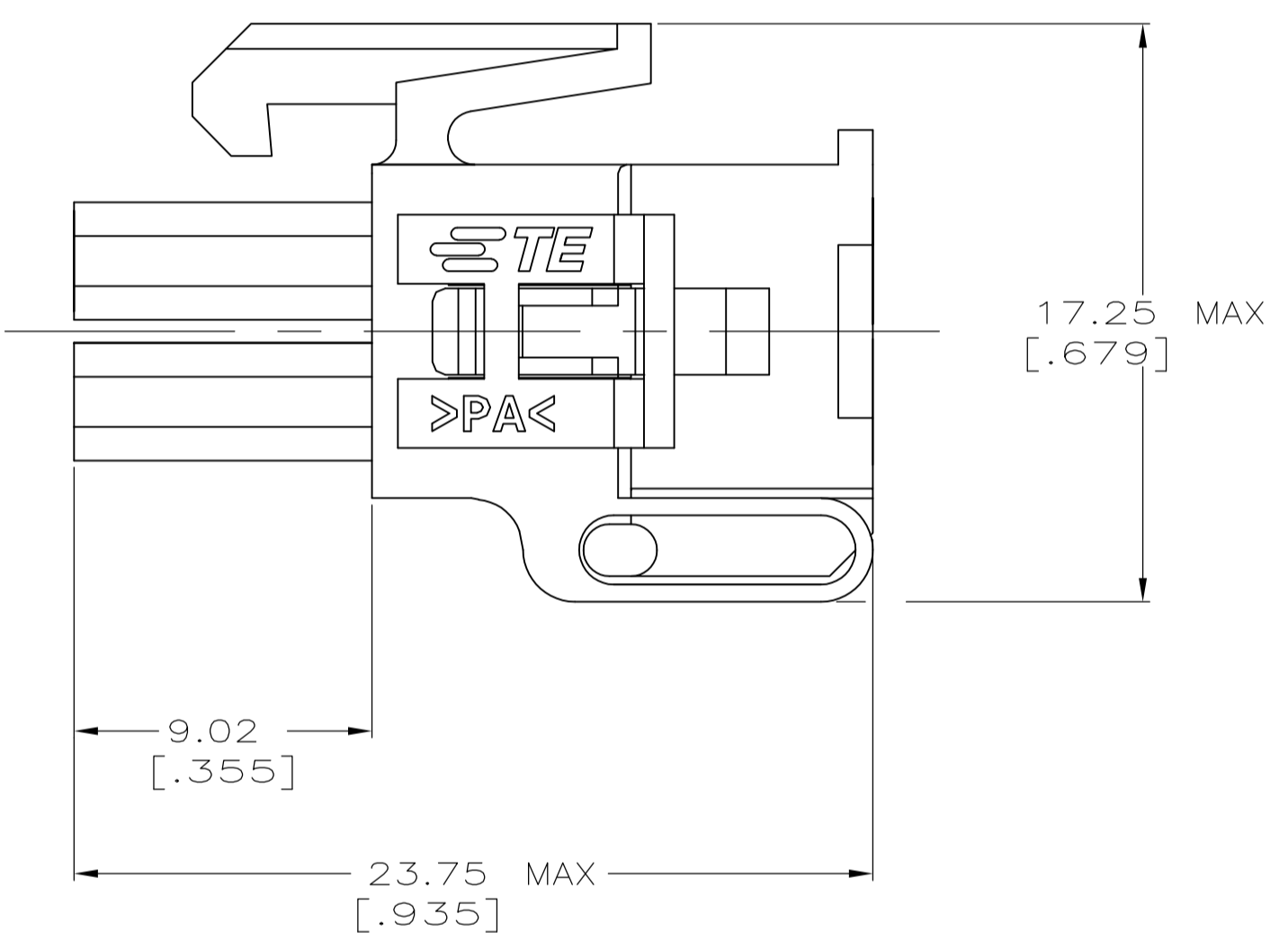
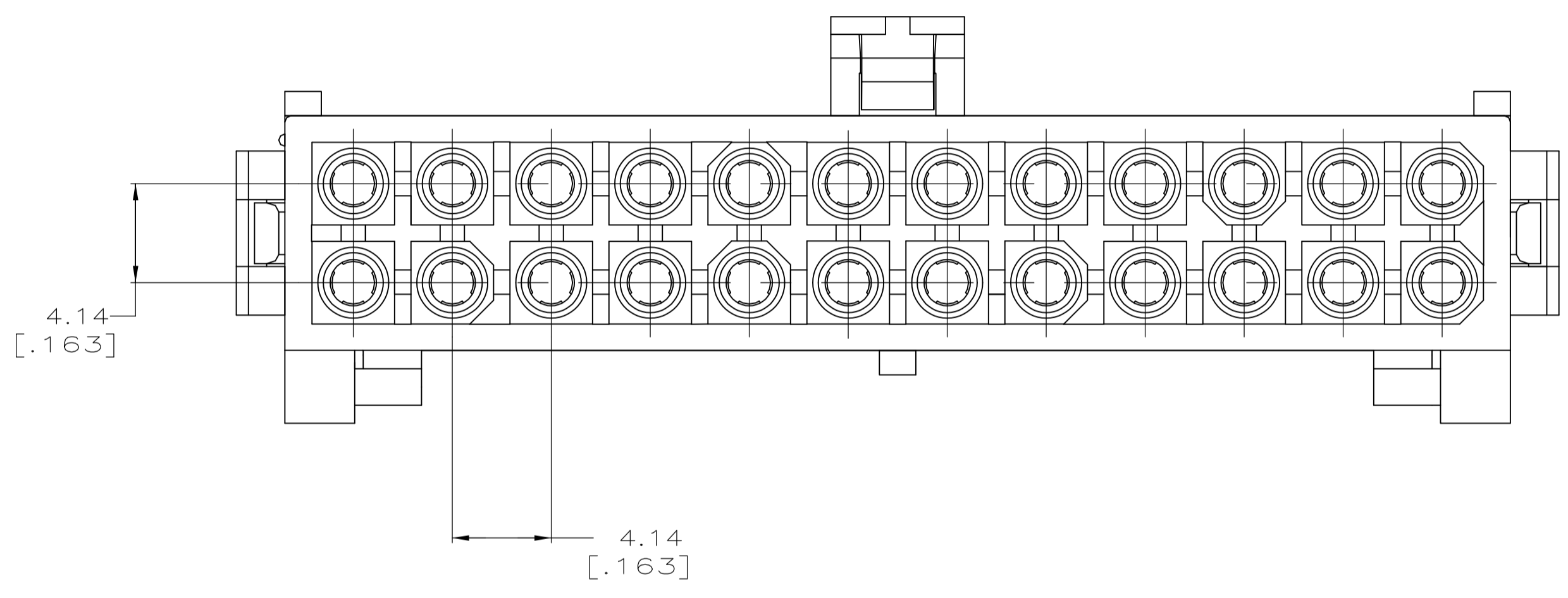


LOC		DIST		REVISIONS			
P	LTR	DESCRIPTION	DATE	DNW	APVD		
CM	53						
C2		REVISED PER ECR 15-003326	06MAR15	SC	KD		

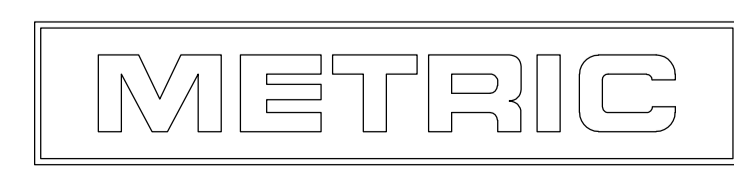
1 DIMENSIONS IN BRACKETS ARE IN INCHES.



PRE-STAGED CONDITION



3-DIMENSIONAL MODEL NTS



794267-1
PART NUMBER

THIS DRAWING IS A CONTROLLED DOCUMENT.		DIN K. WHITAKER 5-20-97	TE Connectivity
		CHK R. SWING 5-20-97	
DIMENSIONS: mm [INCHES]		APVD R. ORSTAD 5-20-97	NAME
TOLERANCES UNLESS OTHERWISE SPECIFIED:			PLUG, 24 CIRCUIT, MINI UNIVERSAL MATE-N-LOK
0. PLC	± -	PRODUCT SPEC	
1. PLC	± -	APPLICATION SPEC	
2. PLC	± -	WEIGHT	
3. PLC	± 0.13 [.005]	SIZE	A1
4. PLC	± -	SCALE	5:1
ANGLES	± -	SHEET	1 of 1
MATERIAL NYLON,	FINISH -	RESTRICTED TO	
		CUSTOMER DRAWING	REV C2