

## SUMMARY

### # Wires

Low voltage 2



*Image is for illustrative purpose only*

Series	0T
Termination type	Female print PCB
IP rating	68 mated (mating interface)
AWG wire size	0.00 - 0.00
Cable Ø	0.00 - 0.00 mm
Status	active

### Download

- [Request a quote](#)
- [PCB Eagle Pattern](#)
- [PCB Altium Pattern](#)
- [PCB KiCad Pattern](#)

## TECHNICAL DETAILS

### Mechanics

Shell Style/Model	EA*: Fixed receptacle, nut fixing (back panel mounting)
Keying	1 key (alpha=0, plug: male contacts, receptacle: female contacts)
Housing Material	Brass (chrome plated [SAE AMS 2460]) shell and collet nut, nickel plated [SAE AMS QQ N 290] brass latch sleeve and mid pieces
Weight	4.37 g

### Performance

Configuration	0T.511 : SPE - 2 High Speed, Low Voltage (1000BASE-T1 (IEEE 802.3bp))
Insulator	L: PEEK (UL 94 / V-0/1.5)
Rated Current	

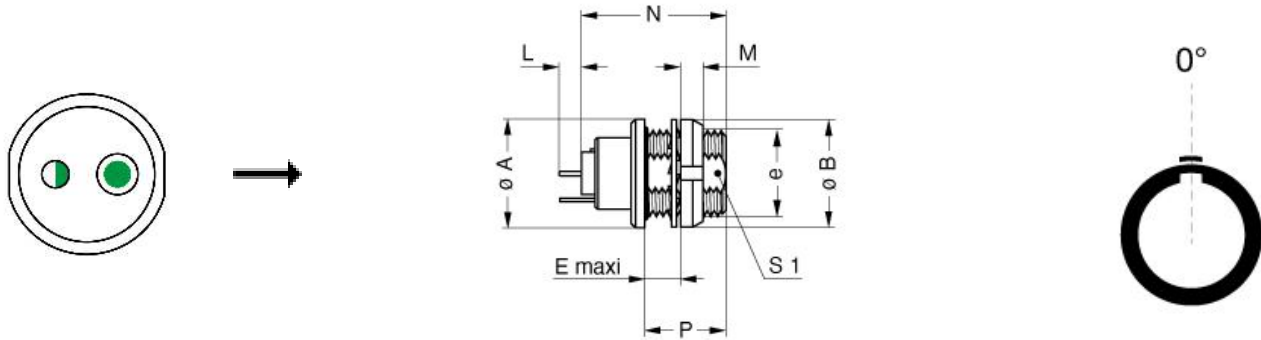
### Others

- Endurance (Shell): >3000 mating cycles
- Temp (min / max): -55°C / +200°C
- Humidity (max): <=95% [at 60 deg C / 140 F]
- Resistance to vibration: 15 g [10 Hz - 2000 Hz]

*LEMO products and services are provided "as is". LEMO makes no warranties or representations with regard to LEMO product & services or use of them, express, implied or statutory, including for accuracy, completeness, or security. The user is fully responsible for his products and applications using LEMO components.*

Shock Resistance: 100 g [ 6 ms]  
 Climatical Category: 50/175/21  
 Shielding efficiency (min): 75 dB (at 10 MHz)  
 Shielding efficiency (min): 40 dB (at 1 GHz)  
 Salt Spray Corrosion: >1000 hr

## DRAWINGS



### Dimensions

	A	B	E	L	M	N	P	S1	e
mm.	12	12	6.5	3.3	2.5	13	9	8.2	M9x0.6
in.	0,47	0,47	0,26	0,13	0,10	0,51	0,35	0,32	

## RECOMMENDED BY LEMO

### Tools

Spanner wrench: [Socket for torque wrench DCM.05.M09.4](#)

*LEMO products and services are provided "as is". LEMO makes no warranties or representations with regard to LEMO product & services or use of them, express, implied or statutory, including for accuracy, completeness, or security. The user is fully responsible for his products and applications using LEMO components.*