

1217824-1 ✓ ACTIVE



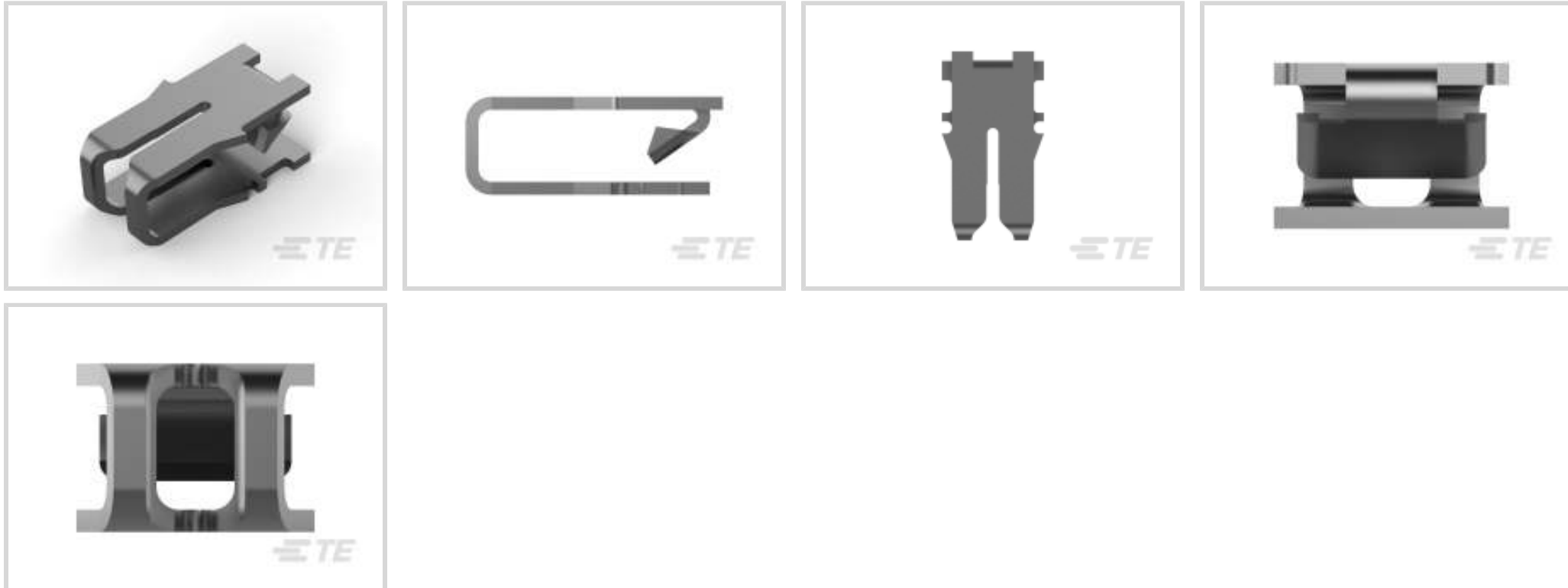
## MAG-MATE

TE Internal #: 1217824-1

Magnet Wire Terminals, Poke-In, Lead Wire Size 20 – 18 AWG,  
Lead Wire Size .5 – .8 mm<sup>2</sup>, .64 – .81 mm Magnet Wire, 22 – 20  
AWG Magnet Wire, MAG-MATE

[View on TE.com >](#)

Terminals & Splices > Magnet Wire Terminals



Magnet Wire Terminal Type: **Poke-In**

Lead Wire Size: **.5 – .8 mm<sup>2</sup>**

Magnet Wire Size: **.64 – .81 mm**

### Features

#### Product Type Features

Compatible With Discrete Wire Type	Magnet Wire, Solid
------------------------------------	--------------------

#### Contact Features

Magnet Wire Terminal Type	Poke-In
Terminal Plating Material	Tin
Terminal Orientation	Twisted

#### Termination Features

Termination Method to Wire & Cable	Insulation Displacement (IDC)
------------------------------------	-------------------------------

#### Dimensions

Terminal Height	7.62 mm[.3 in]
Lead Wire Size	.5 – .8 mm <sup>2</sup>
Magnet Wire Size	.64 – .81 mm
Stock Thickness (Magnet Wire Side)	.41 mm[.016 in]
Product Length	7.87 mm[.3 in]

#### Usage Conditions

Insulation Option	Uninsulated
-------------------	-------------



Operating Temperature Range -65 – 150 °C[-85 – 302 °F]

### Operation/Application

Compatible With Wire Base Material Aluminum, Copper

### Packaging Features

Packaging Method Reel, Reel/Carton

### Other

Terminals & Splices Comment Solid or overcoated stranded lead wire only., Two magnet wires may be terminated in the same terminal slot if diameters are equal.

## Product Compliance

[For compliance documentation, visit the product page on TE.com>](#)

EU RoHS Directive 2011/65/EU	Compliant
EU ELV Directive 2000/53/EC	Compliant
China RoHS 2 Directive MIIT Order No 32, 2016	No Restricted Materials Above Threshold
EU REACH Regulation (EC) No. 1907/2006	Current ECHA Candidate List: JUNE 2023 (235) Candidate List Declared Against: JUNE 2023 (235) Does not contain REACH SVHC
Halogen Content	Low Halogen - Br, Cl, F, I < 900 ppm per homogenous material. Also BFR/CFR/PVC Free
Solder Process Capability	Not applicable for solder process capability

#### Product Compliance Disclaimer

This information is provided based on reasonable inquiry of our suppliers and represents our current actual knowledge based on the information they provided. This information is subject to change. The part numbers that TE has identified as EU RoHS compliant have a maximum concentration of 0.1% by weight in homogenous materials for lead, hexavalent chromium, mercury, PBB, PBDE, DBP, BBP, DEHP, DIBP, and 0.01% for cadmium, or qualify for an exemption to these limits as defined in the Annexes of Directive 2011/65/EU (RoHS2). Finished electrical and electronic equipment products will be CE marked as required by Directive 2011/65/EU. Components may not be CE marked. Additionally, the part numbers that TE has identified as EU ELV compliant have a maximum concentration of 0.1% by weight in homogenous materials for lead, hexavalent chromium, and mercury, and 0.01% for cadmium, or qualify for an exemption to these limits as defined in the Annexes of Directive 2000/53/EC (ELV). Regarding the REACH Regulation, the information TE provides on SVHC in articles for this part number is based on the latest European Chemicals Agency (ECHA) 'Guidance on requirements for substances in articles' posted at this URL: <https://echa.europa.eu/guidance-documents/guidance-on-reach>

## Compatible Parts



TE Part # 1217234-1  
MAG-MATE TERM 28-31 013TPBR

TE Part # 1217688-1  
SPECIAL LEAF CONTACT,300 SERIE

TE Part # 62524-1  
MAG-MATE TERM 20-22 016 TPBR

TE Part # 1217853-1  
TERM,SPL,TRI-SLOT,MAG-MATE

TE Part # 1217082-1  
TERM MAG-MATE 25-22 016 TPPHBZ

TE Part # 1217356-1  
MAG-MATE TERM 19-17 0157 TPNBR

TE Part # 1217357-1  
MAG-MATE TERM 21-19 0157 TPNBR

TE Part # 1217358-1  
MAG-MATE TERM 23-21 0157 TPNBR

TE Part # 1217942-1  
TERMINAL,POKE-IN,MAG-MATE

TE Part # 63789-1  
TERMINAL MAG-MATE POKE-IN TPBR

TE Part # 63885-1  
TERM MAG-MATE 27-30 013TPBR

TE Part # 1217689-1  
SPECIAL LEAF CONTACT,300 SERIE

TE Part # 1718165-1  
MINI MAG MATE CONTACT (LEAF SPRING)

TE Part # 1217026-1  
MAG-MATE TERM 31-32 010 TPBR

TE Part # 1217068-1  
MAG-MATE TERMINAL 19-17 TPBR

TE Part # 1217690-1  
SPECIAL LEAF CONTACT,300 SERIE

TE Part # 1217757-1  
TERM,POKE-IN,LP, MAG-MATE

TE Part # 1742409-1  
PIN,.090 DIAM,500 SERIES,MAG-MA

TE Part # 62841-1  
MAG-MATE TERM 20-22 016 TPBR

TE Part # 63754-1  
TERM,MAG-MATE 27-23 016TPBR

Also in the Series | **MAG-MATE**



Insertion & Extraction Tools(7)

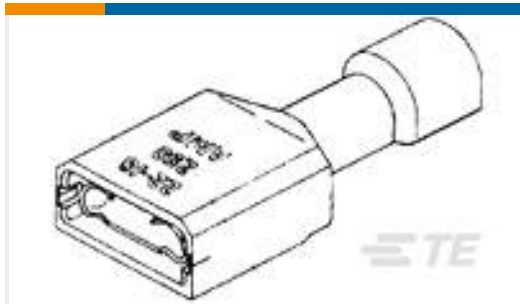


Magnet Wire Terminals(435)



PCB Terminals(1)

## Customers Also Bought



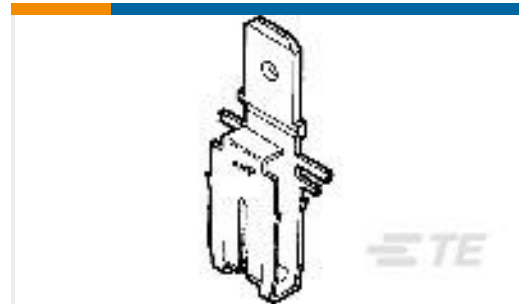
TE Part #2-520403-2  
ULTRA-FAST 187 ASY REC 22-18 TPBR



TE Part #61793-1  
RING 18-14 AWG TPST



TE Part #61299-3  
SPLICE 7000-12500 .031 BR



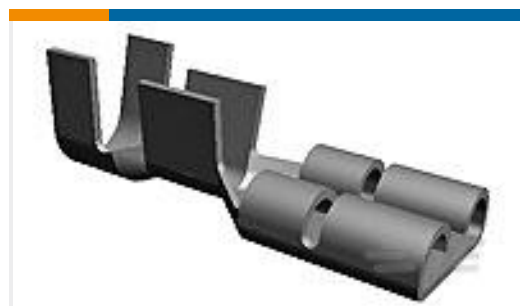
TE Part #63816-1  
TAB, MAG-MATE 250F TPBR



TE Part #2-520128-2  
ULTRA-FAST 250 ASY REC 22-18 AWG TPBR



TE Part #41449  
250 FASTON REC 14-10 AWG BR



TE Part #63306-1  
250 FASTON REC 18-14 AWG BR



TE Part #2063520-1  
SDE UMNL 0.2-0.82mm<sup>2</sup> ASSY

## Documents

### Product Drawings

TERM,POKE-IN,MAG-MATE

English

### CAD Files

3D PDF

3D

Customer View Model

[ENG\\_CVM\\_CVM\\_1217824-1\\_C\\_c-1217824-1-c.2d\\_dxf.zip](#)

English

Customer View Model

[ENG\\_CVM\\_CVM\\_1217824-1\\_C\\_c-1217824-1-c.3d\\_igs.zip](#)

English

Customer View Model

[ENG\\_CVM\\_CVM\\_1217824-1\\_C\\_c-1217824-1-c.3d\\_stp.zip](#)

English

By downloading the CAD file I accept and agree to the [Terms and Conditions](#) of use.



---

**Datasheets & Catalog Pages**

**Magnet Wire Terminals & Splices**

English

---

**Product Specifications**

**Application Specification**

English

---

**Product Environmental Compliance**

**Product Compliance**

English

**Product Compliance**

English