

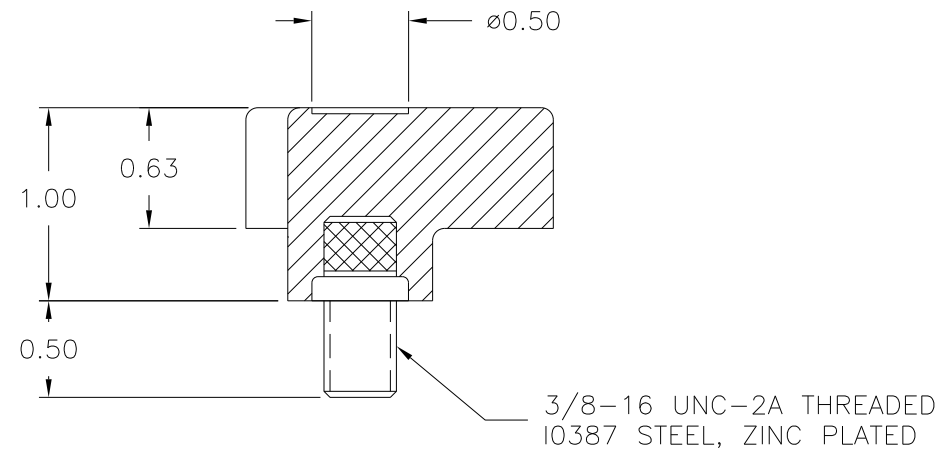
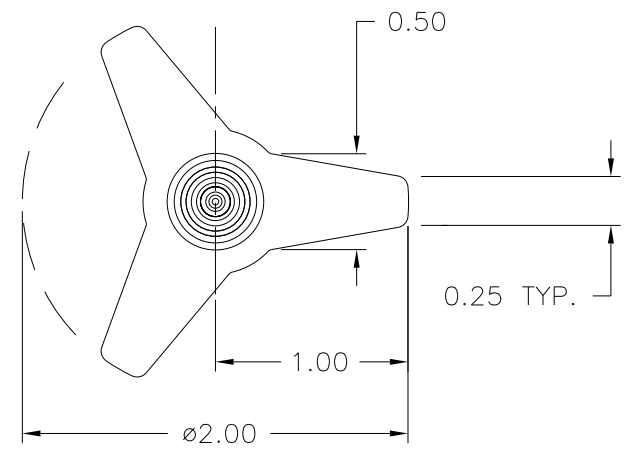
PART NAME: KNOB SCALE: 1:1 DATE: 11/21/84 DR. BY HD

THIS DRAWING IS THE PROPERTY OF DAVIES MOLDING COMPANY, IS SUBMITTED SOLELY AS A DESIGN OR ENGINEERING PROJECT. WE ACCEPT NO RESPONSIBILITY WHATSOEVER FOR THE PRACTICAL APPLICATION OF THE PIECES MADE TO THIS DESIGN.



DESIGNERS & MANUFACTURERS OF KNOBS, HANDLES, CASES & CUSTOM PLASTIC COMPONENTS

| | |
|------------------|--------|
| P/N | 3040GJ |
| M ^{NO.} | 3040 |
| PINS | 3040-A |
| SHIMS | 1/4 |
| PLUNGER PIN | 3040-B |
| INSERT | 10387 |



MATERIAL: PHENOLIC
COLOR: BLACK

| | | | | |
|---|----------------------------------|---------|------------|------------|
| TOLERANCES: UNLESS OTHERWISE SPECIFIED | DO NOT SCALE DRAWING | | | |
| DECIMALS: X.XXX ± .005 X.XX ± .015 | MM: X.XX ± 0.15MM X.X ± 0.4MM | - | CAD REDRAW | TL 4/14/99 |
| FRACTIONS ± 1/64 | ANG. ± 1° | CHANGES | | |