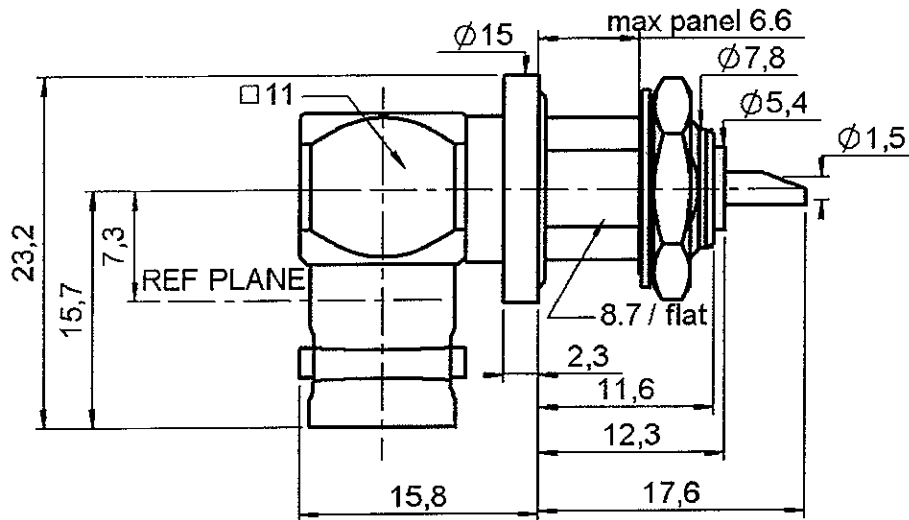


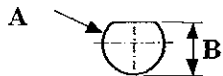
**RIGHT ANGLE BULKHEAD JACK RECEPTACLE**  
**FRONT MOUNT-PANEL SEAL-SOLDER POT CONT.**

**R141.680.000**

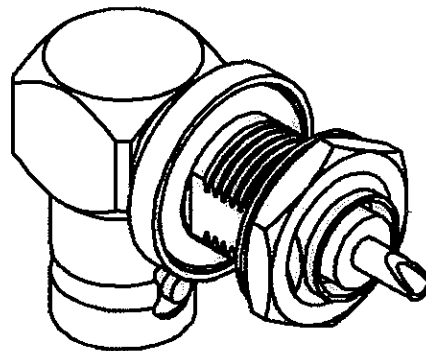
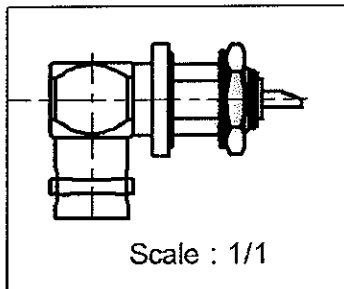
Series : BNC



**PANEL CUT OUT**



mm		
	Maxi	mini
A	9.8	9.7
B	4.03	3.96



All dimensions are in mm.

COMPONENTS	MATERIALS	PLATING
BODY	BRASS	NICKEL 2 µm
CENTRE CONTACT	BERYLLIUM COPPER, BRASS	GOLD 0.5 OVER NICKEL 2 µm
OUTER CONTACT	-	- µm
INSULATOR	PTFE	
GASKET	SILICONE RUBBER	
OTHERS PARTS	BRASS	- µm
-	-	-
-	-	-



Edition : 9913 W

Design changes may be in order to improve the product.

**RIGHT ANGLE BULKHEAD JACK RECEPTACLE**  
**FRONT MOUNT-PANEL SEAL-SOLDER POT CONT.**

**R141.680.000**

Series : BNC

**ELECTRICAL CHARACTERISTICS**

Impedance		<b>50 Ω</b>
Frequency		<b>0-4 GHz</b>
VSWR	<b>1.06* +</b>	<b>0.006 x F(GHz) Maxi</b>
Insertion loss		<b>.025* √F(GHz) dB Maxi</b>
RF leakage	<b>- (</b>	<b>57 - F(GHz)) dB mini</b>
Voltage rating		<b>500 Veff Maxi</b>
Dielectric withstanding voltage		<b>1500 Veff mini</b>
Insulation resistance		<b>5000 MΩ mini</b>

**SPECIFICATION**

**ENVIRONMENTAL**

Operating temperature	<b>-65/+165 ° C</b>
Hermetic seal	<b>NA Atm.cm3/s</b>
Leakage – pressurised only	<b>NA Mpa</b>

**MECHANICAL CHARACTERISTICS**

Centre contact retention	
Axial force – Mating end	<b>18 N mini</b>
Axial force – Opposite end	<b>18 N mini</b>
Torque	<b>2.8 N.cm mini</b>

Recommended torque	
Mating	<b>NA N.cm</b>
Panel nut	<b>250 N.cm</b>

Mating life	<b>500 Cycles mini</b>
Weight	<b>20.000 g</b>

**OTHERS CHARACTERISTICS**

Assembly instruction **NA**

Others :  
 \* Coaxial Transmission Line Only

