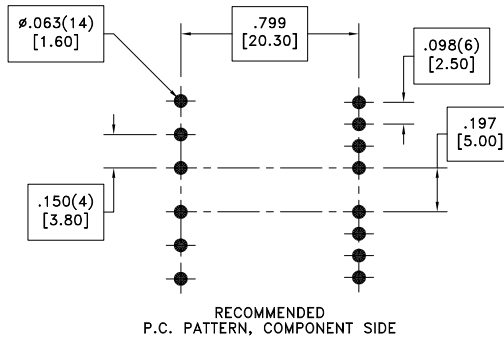
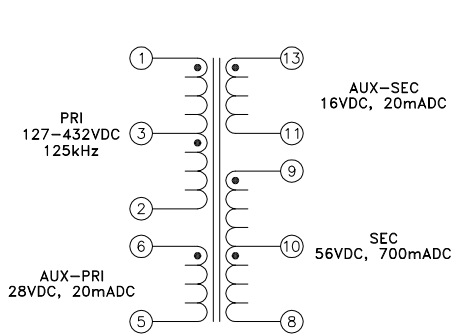
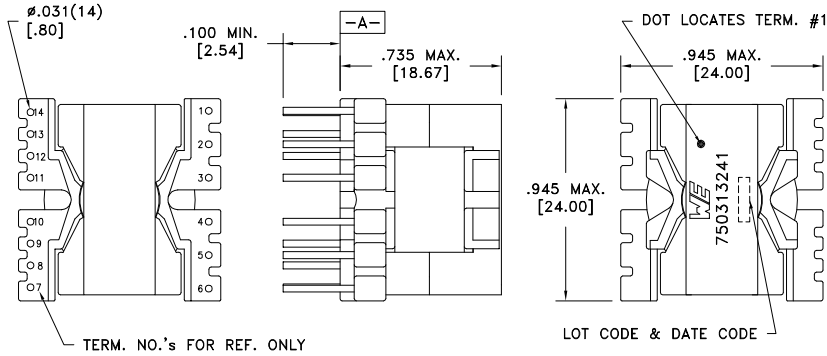


CUSTOMER TERMINAL	RoHS	LEAD(Pb)-FREE
Sn96%, Ag4%	Yes	Yes

more than you expect



PART MUST INSERT FULLY TO SURFACE A IN RECOMMENDED GRID



ELECTRICAL SPECIFICATIONS @ 25°C unless otherwise noted:

PARAMETER	TEST CONDITIONS	VALUE
D.C. RESISTANCE	1-3 @20°C	1.05 ohms ±10%
D.C. RESISTANCE	3-2 @20°C	1.35 ohms ±10%
D.C. RESISTANCE	6-5 @20°C	0.290 ohms ±10%
D.C. RESISTANCE	9-10 @20°C	0.110 ohms ±10%
D.C. RESISTANCE	10-8 @20°C	0.088 ohms ±10%
D.C. RESISTANCE	13-11 @20°C	0.175 ohms ±10%
INDUCTANCE	1-2 10kHz, 100mVAC, Ls	3.52mH ±10%
SATURATION CURRENT	20% rolloff from initial	780mA
LEAKAGE INDUCTANCE	1-2 tie(5+6, 8+9+10+11+13), 100kHz, 100mVAC, Ls	22uH max.
DIELECTRIC	1-9 tie(2+6, 8+13), 3750VAC, 1 second	3000VAC, 1 minute
TURNS RATIO	(1-2):(6-5)	8.83:1, ±2%
TURNS RATIO	(1-2):(13-11)	15.14:1, ±2%
TURNS RATIO	(1-2):(9-10)	8.83:1, ±2%
TURNS RATIO	(1-2):(10-8)	8.83:1, ±2%
TURNS RATIO	(1-3):(3-2)	1:1, ±2%

GENERAL SPECIFICATIONS:

OPERATING TEMPERATURE RANGE: -40°C to +125°C including temp rise.

Safety Standard Undefined.

Wire insulation & RoHS status not affected by wire color.  
 Wire insulation color may vary depending on availability.

DETAILS SUBJECT TO CHANGE

REV.	DATE	Packaging Specifications Method: Tray PKG-0100 www.we-online.com/midcom		Tolerances unless otherwise specified: Angles: ±1° Fractions: ±1/64 Decimals: ±.005 [ .13] Footprint: ±.001 [ .03]	DRAWING TITLE <b>TRANSFORMER</b>	PART NO. <b>750313241</b>
6A	11/12	SEE REVISION SHEET FOR REVISION LEVEL	CONVENTION PLACEMENT	This drawing is dual dimensioned. Dimensions in brackets are in millimeters.	eiSos p/n: 750313241	SPECIFICATION SHEET 1 OF 1