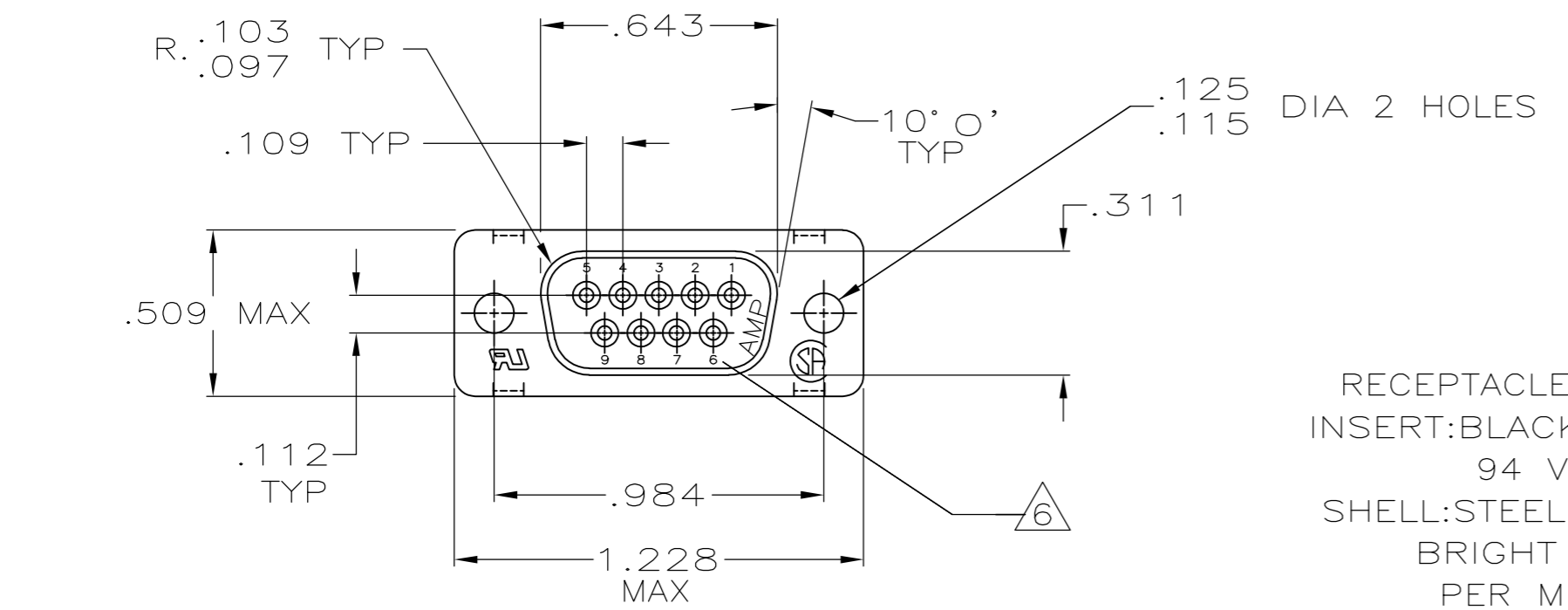
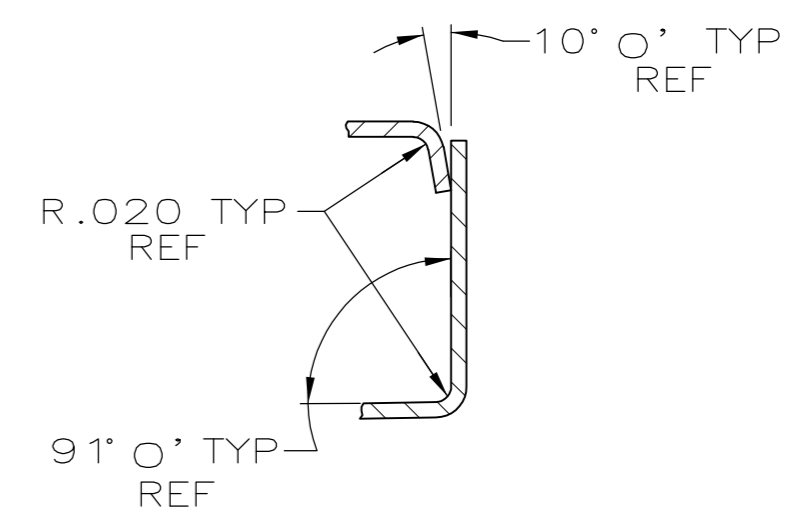


THIS DRAWING IS UNPUBLISHED. RELEASED FOR PUBLICATION
 © COPYRIGHT - By - ALL RIGHTS RESERVED.

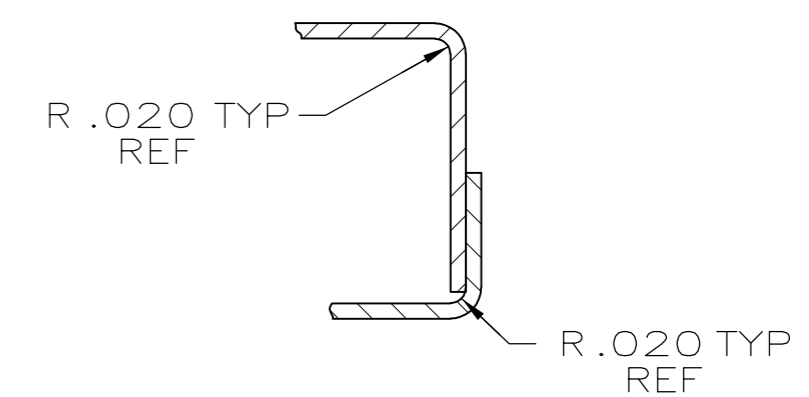
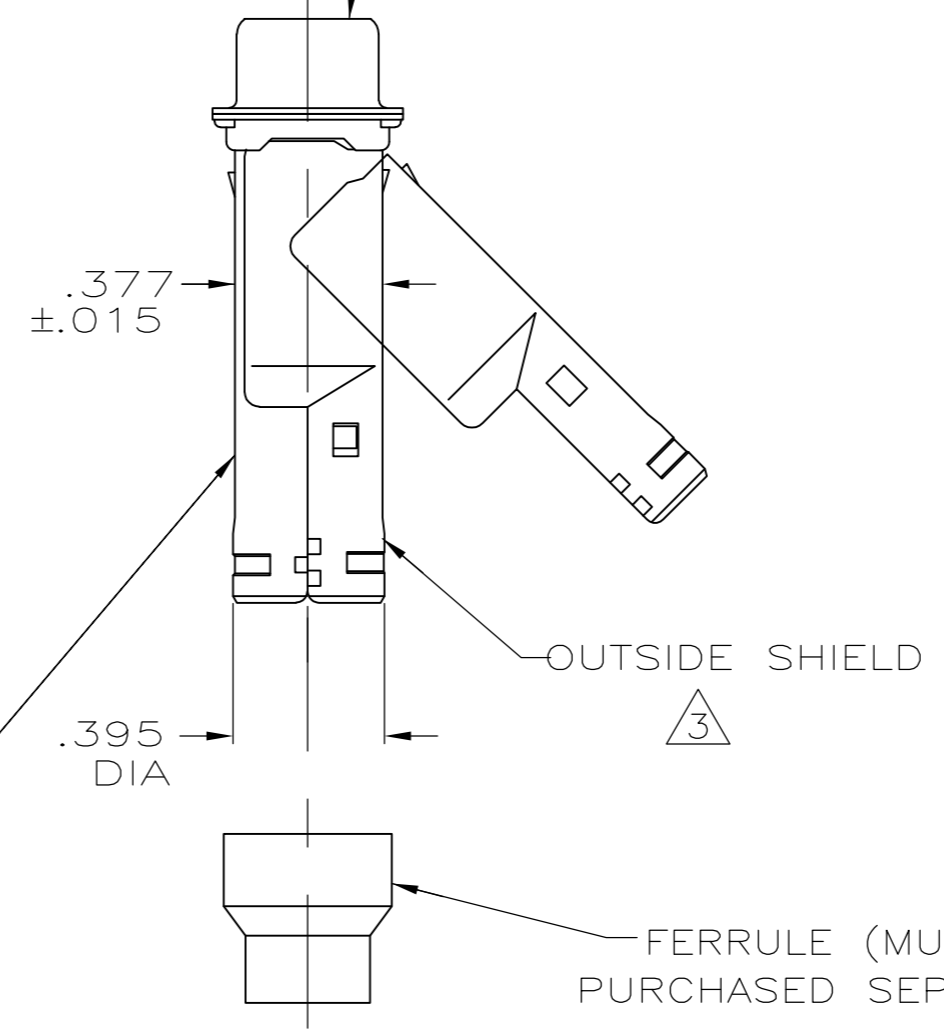
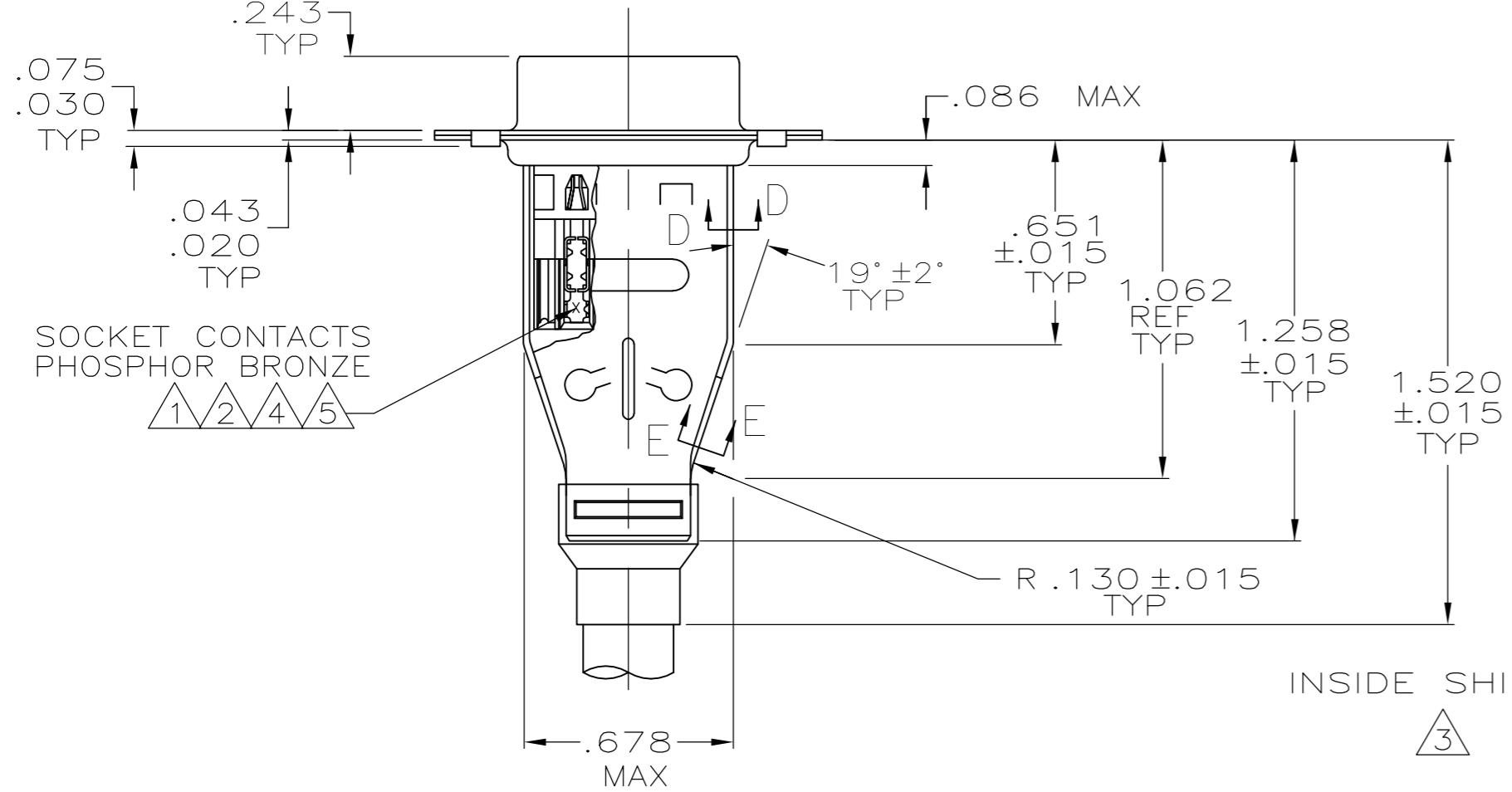
LOC		DIST		REVISIONS			
P	LTR	DESCRIPTION		DATE	DWN	APVD	
GP	00	G5	REVISED PER ECO-11-004835	11MAR11	RK	HMR	



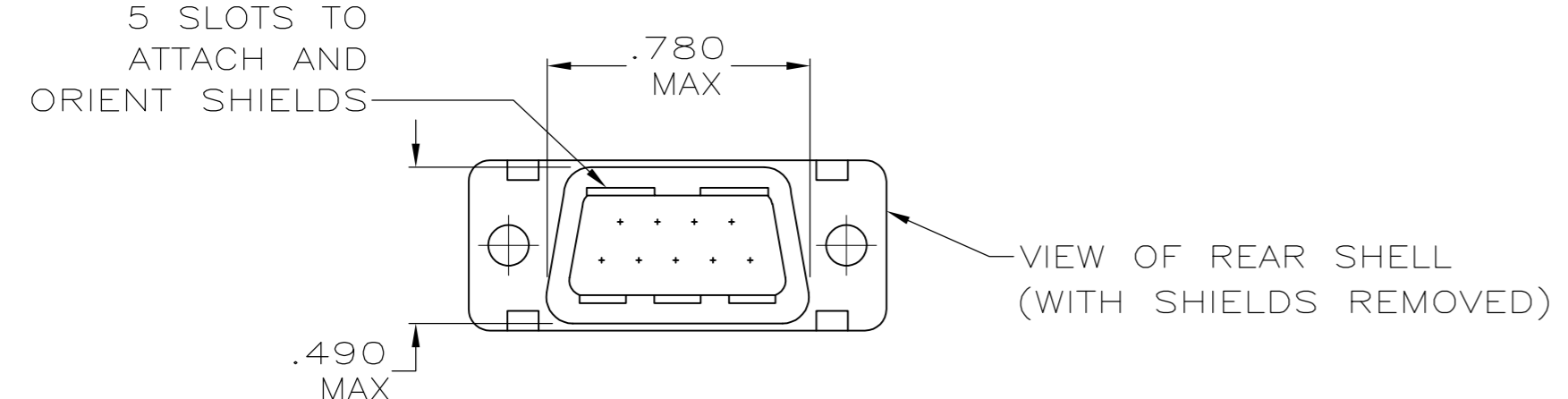
RECEPTACLE CONNECTOR ¹
 INSERT:BLACK THERMOPLASTIC
 94 V-0 RATED
 SHELL:STEEL PER ASTM A109
 BRIGHT TIN PLATED
 PER MIL-T-10727



SECTION D-D



SECTION E-E



CALL OUT	DESCRIPTION	QUANTITY	WIRE RANGE	PART NUMBER
⁸		2	#22-26	747516-9
⁹ OBSOLETE		3	#20-22	747516-8
		2	#22-26	747516-7
		3	#20-22	747516-6
SUPERSEDED		2	#22-26	747516-5
OBSOLETE		1	#26-30	747516-4
SUPERSEDED		3	#20-22	747516-3
SUPERSEDED		2	#22-26	747516-2
		1	#26-30	747516-1
	SUPERSEDED BY 747943-1			
	CONTACT FINISH	²	WIRE RANGE	PART NUMBER

- ¹ RECEPTACLE CONNECTOR FULLY LOADED WITH CONTACTS. ALL OTHER PARTS SHIPPED UNASSEMBLED (EACH PART INDIVIDUALLY BULK PACKED).
- ² NUMBER ON CONTACT INDICATES WIRE RANGE.
- ³ SHIELDS: MATERIAL-.020 THICK STEEL, TIN PLATED.
- ⁴ CONTACTS PLATED .000030 GOLD ON MATING END FOR .100 MIN LENGTH. .000100-.000200 BRIGHT TIN OR BRIGHT TIN-LEAD IN WIRE TERMINATION AREA. .000050 NICKEL UNDERPLATE ON ENTIRE CONTACT.
- ⁵ CONTACTS PLATED WITH GOLD FLASH ON MATING END FOR .100 MIN LENGTH. .000100-.000200 BRIGHT TIN OR BRIGHT TIN-LEAD IN WIRE TERMINATION AREA. .000030 NICKEL UNDERPLATE ON ENTIRE CONTACT.
- ⁶ RAISED CAVITY IDENTIFICATION AND AMP TRADEMARK.
- ⁷ CONTACTS PLATED .000030 GOLD ON MATING END FOR .100 MIN LENGTH. .000100-.000200 MATTE TIN IN WIRE TERMINATION AREA. .000050 NICKEL UNDERPLATE ON ENTIRE CONTACT.
- ⁸ CONTACTS PLATED WITH GOLD FLASH ON MATING END FOR .100 MIN LENGTH. .000100-.000200 MATTE TIN IN WIRE TERMINATION AREA. .000030 MIN NICKEL UNDERPLATE ON ENTIRE CONTACT.
- ⁹ OBSOLETE PARTS: OBSOLETE CIS STREAMLINING PER D.RENAUD/D.SINISI

THIS DRAWING IS A CONTROLLED DOCUMENT.

DIMENSIONS: INCHES	TOLERANCES UNLESS OTHERWISE SPECIFIED:	DWN L. VARELA - DOCK5 11-16-04	
		CHK J. GERACE 11-16-04	
		APVD M. WALMSLEY 11-16-04	TE Connectivity
		PRODUCT SPEC 108-40030	NAME KIT, RCPT, SHIELDING HARDWARE, SIZE 1, 9 POSN, HDE-20, AMPLIMITE
		APPLICATION SPEC 114-40002	SIZE A2 CAGE CODE 00779 DRAWING NO C-747516
MATERIAL SEE CALL OUT	FINISH SEE CALL OUT	WEIGHT -	RESTRICTED TO -
		CUSTOMER DRAWING	SCALE 2:1 SHEET 1 of 1 REV G5