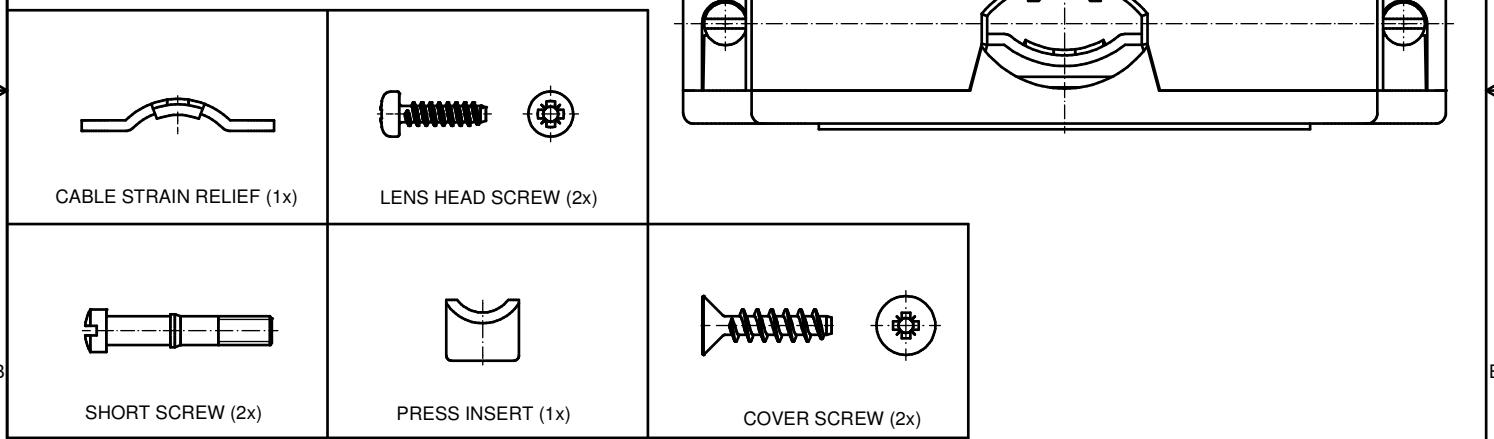
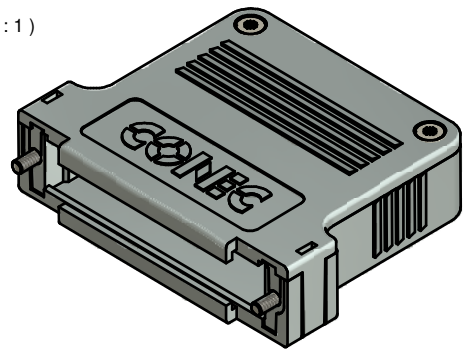


(b)



(b)

(1:1)



NOTES:

1. HOOD + COVER: ABS UL 94 V-0; METALLIZED
2. CABLE STRAIN RELIEF: STEEL; NICKEL PLATED
3. PRESS INSERT: ABS UL 94 V-0; METALLIZED
4. SHORT SCREWS: STEEL; NICKEL PLATED
5. COVER SCREWS: STEEL; NICKEL PLATED
6. LENS HEAD SCREWS: STEEL; NICKEL PLATED

TECHNICAL DATA:

- TEMPERATURE RANGE: -33°C to + 90°C

Directive 2002/95/EC RoHS compliant

THIS DRAWING MAY NOT BE COPIED OR REPRODUCED IN ANY WAY, AND MAY NOT BE PASSED ON TO A THIRD PARTY WITHOUT WRITTEN PERMISSION. OWNERSHIP AND COPYRIGHT OF CONEC GmbH DO NOT ALTER CAD DRAWING BY HAND				tolerance		scale: 2:1
					dim. in mm	material: SEE NOTES
				date	name	title: PLASTIC HOOD 37pos. with straight cable exit
				drawn 03.09.14	Unkrüer	
				appd. 03.09.14	Lehmenkühler	
				norm		dwg no: 16K2A171A
			d-old	16K2A171A		
3 x b	Ä 5304	03.09.2014	Unkrüer			part no: (b) 16K1A3496
a	Original					DIN-A3 sh: 1
rev.	description	date	name			part no: 165X13499X