

PART NUMBER CODING

MC05DRTN-S1682

MATERIALS (INSULATOR / CONTACT)

F = BROWN PPS / SPINODAL

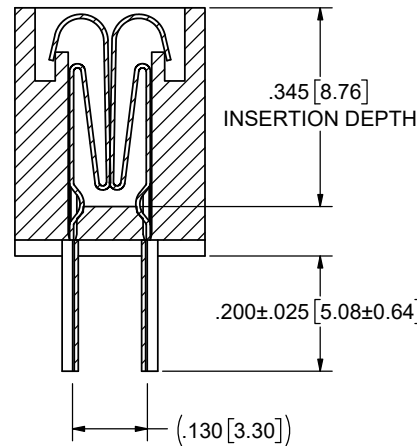
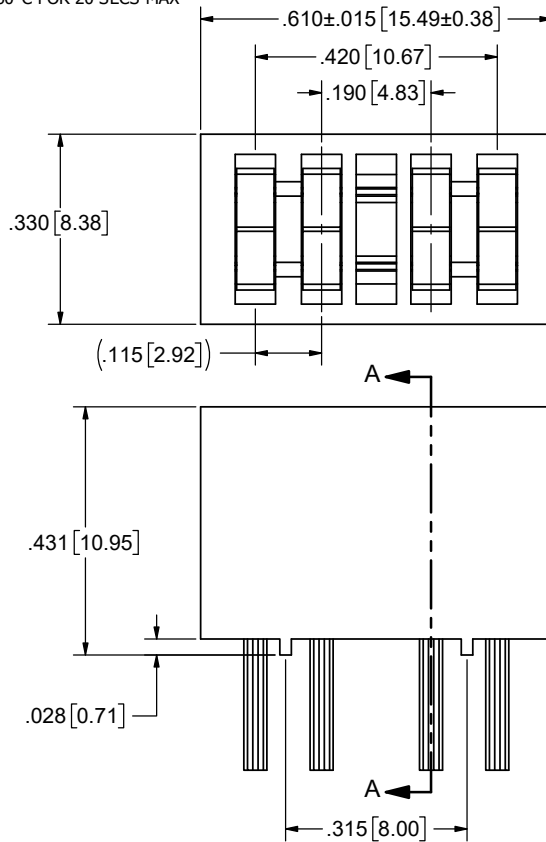
OPERATING TEMP: -65°C TO +200°C

PROCESSING TEMP: 260°C FOR 20 SECS MAX

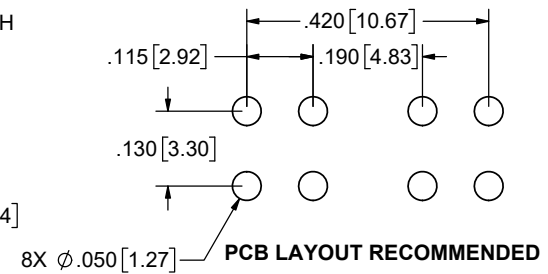
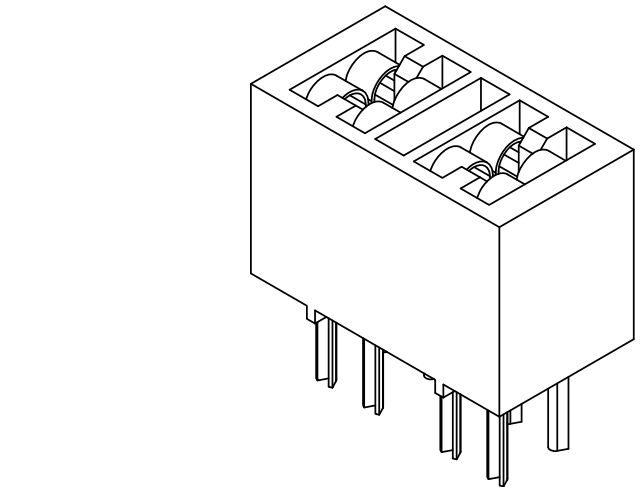
X = NATURAL BROWN PEEK / SPINODAL

OPERATING TEMP: -65°C TO +250°C

PROCESSING TEMP: 260°C FOR 20 SECS MAX



SECTION A-A
SCALE 6 : 1



NOTES:

- INSULATOR MATERIAL: SEE PART NUMBER CODING
- CONTACT MATERIAL: SEE PART NUMBER CODING
- PLATING: .000050" MIN NICKEL UNDERPLATE
CONTACT SURFACE: .000030" GOLD
TERMINATION: .000010" GOLD OVERALL
- OPERATING TEMPERATURE: SEE PART NUMBER CODING
- PROCESSING TEMP: SEE PART NUMBER CODING
(CONSULT FACTORY FOR SPECIAL SOLDERING REQUIREMENT)
- UL FLAMMABILITY RATING: 94V-0
- OPERATING VOLTAGE: 700 VAC
- CURRENT RATING: 6 AMP PER CONTACT PAIR
- CONTACT RESISTANCE: 30 MILLI OHMS MAX
- INSULATION RESISTANCE: 5000 MEGA OHMS
- DURABILITY: 500 CYCLES MIN
- CONNECTOR IDENTIFICATION: THE PART SHALL BE MARKED WITH A PART NUMBER AND LOT CODE
- MODIFICATION: CONTACT CENTERS .095"/.115", OMIT CONTACTS IN CENTER POSITION FOR HIGHER VOLTAGE, SHORTING CONTACTS, .130" ROW SPACING. TRIM TAIL TO .200 ±.025" FROM STANDOFF, .345" INSERTION DEPTH.



RoHS COMPLIANT

UNLESS OTHERWISE SPECIFIED: DIMENSIONS ARE IN INCHES (MM)		DRAWN	DATE	NAME	
TOLERANCES: ANGULAR: ± 1° DECIMALS .XX = ± .02 [5] .XXX = ± .005 [13] .XXXX = ± .0005 [013]		2/1/2012		JH	
<small>THE INFORMATION HEREIN CONTAINS PROPRIETARY INFORMATION OF SULLINS ELECTRONICS AND IS NOT TO BE REPRODUCED, USED OR DISCLOSED TO OTHERS FOR ANY PURPOSE EXCEPT AS SPECIFICALLY AUTHORIZED IN WRITING BY AN OFFICER OF SULLINS ELECTRONICS.</small>					TITLE
					SOCKET, TO-220 2L, TO-247 2L
					PART NUMBER
					FMC05DRTN-S1682
SIZE	CAGE CODE	DWG. NO.	REV		
C	54453	C12159	D		
SCALE: 6:1			SHEET 1 OF 1		

REVISIONS				
REV.	ECO. NO	DESCRIPTION	DATE	BY
B	2779	UPDATE OPERATING VOLTAGE NOTE	5/22/2013	JH
C	2834	ADD 'X' MATERIAL OPTION	8/30/2013	JH
D	4368	UPDATE OPERATING TEMP FOR 'X' MTL FROM 200 C TO 250 C, NOTE 8 (WAS 3A) & NOTE 7 (WAS 1200 VAC)	12/3/2021	JH

CUSTOMER COPY